



LED SOLAR WALL LUMINAIRE

PRODUCT INFORMATION

- Illus Solar lights deliver affordable, environmentally friendly lighting with simple installation by harnessing solar power—cutting electricity costs, removing dependence on the grid, and requiring little upkeep.
- At the same time, Illus Solar enhances safety and security by illuminating dark areas and delivers dependable, off-grid lighting for homes, businesses, and remote locations.
- These solar lights are available in 2 models, offering lumen outputs ranging from 65lm to 850lm.

BENEFITS

- There are no ongoing electricity costs, leading to significant savings on energy bills over time.
- The long lifespan of the batteries and LEDs reduces the need for replacements, helping lower overall maintenance costs.
- The simple setup eliminates the need for trenching and wiring, avoiding the costs typically associated with traditional lighting.
- They operate independently off the grid, ensuring reliable lighting even during power outages.

FEATURES

- High CRI \geq 85.
- IK Rating IK08.
- Non-Dimmable.
- Efficacy up to 142lm/W.



**BEYOND LIGHT..
TO THE LAST DETAILS!**

AREAS OF APPLICATION



Hospitality



Shopping Center



Commercial



Educational Center

TECHNICAL OPERATING & ELECTRICAL DATA

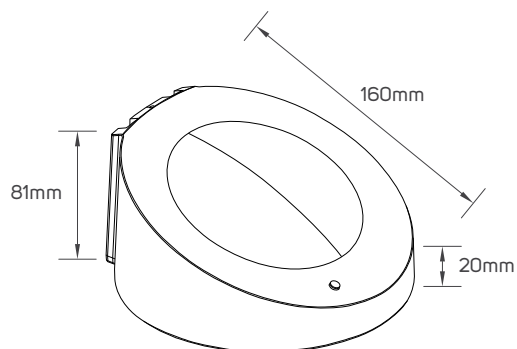
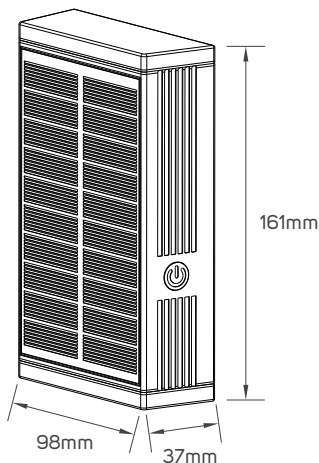
Body Color	Black
CCT	3000K
CRI	≥85
Ambient Temperature	-20°C~45°C
IP Rating	IP65
IK Rating	IK04
IEC Classification	Class III
Dimming	Non- Dimmable
Lifespan	15,000H
Switching Cycle	50,000x on/off
Warranty Period	24 Months

SPECIFICATIONS

Code No.	Model No.	Body Material	Power	Lumen	Efficacy	Beam Angle
LI615875	ILS4SWL830WW01	ABS+PMMA	1.5W	65lm	43.33lm/W	80°
LI615876	ILS1RSWL830WW01	Plastic+ABS	6W	850lm	141.67lm/W	120°

Code No.	Detection Angle	Battery Capacity	Sensor Type	Detection Distance	Charging Time	Working Time
LI615875		2000mAh			5-8H	10-12H
LI615876	180°	3000mAh	Radar	5-10M	5-8H	5-6 Days

DIMENSIONS



APPLICATION PICTURE



This image is for display purpose only, the image may differ from the actual product, as the product is subject to modification provided without prior notice.

LED SOLAR WALL LUMINAIRE

**BEYOND LIGHT..
TO THE LAST DETAILS!**



build-station



lighting stores



illus lighting

C/ Cuenca, 87, Alaquas 46970, (Valencia) Spain, Ph. 34 961 623 958

www.illusillumination.com

illus illumination reserve the right to make dimensional, design and technical alternations without prior notice. illus illumination endeavor to ensure that any advice, recommendation or information it provides in product literature is accurate and correct. However due to the fact that illus do not have direct control on where and how the products are installed, illus illumination cannot accept any liability either direct or indirect arising from the use of illus products whether or not in accordance with any advice, specification, recommendation or information provided by illus illumination or its distributors.