



LED **PRO**

## Elegant looking solar spike

### LED SOLAR SPIKE LUMINAIRE SERIES

#### PRODUCT INFORMATION

- Ideal solution for municipalities who seek to meet their sustainability goals.
- Compact luminaire using high-quality materials is easy to dismantle and recycle at the end of its lifetime.
- ILLUS LED SOLAR SPIKE Luminaire gives the customer the flexibility to have a model with lumen package of 200lm.

#### BENEFITS

- Brings light to areas without access to electric grid.
- Saves energy.
- Environment friendly.

#### FEATURES

- High CRI>80.
- Efficacy up to 100lm/w.
- Long life span 15,000H.
- Solar panel 5.5V, 85\*137mm, 1.5-1.8W



**BEYOND LIGHT..  
TO THE LAST DETAILS!**

## AREAS OF APPLICATION



Industrial



Shopping Center



Garden



Commercial



Educational Center



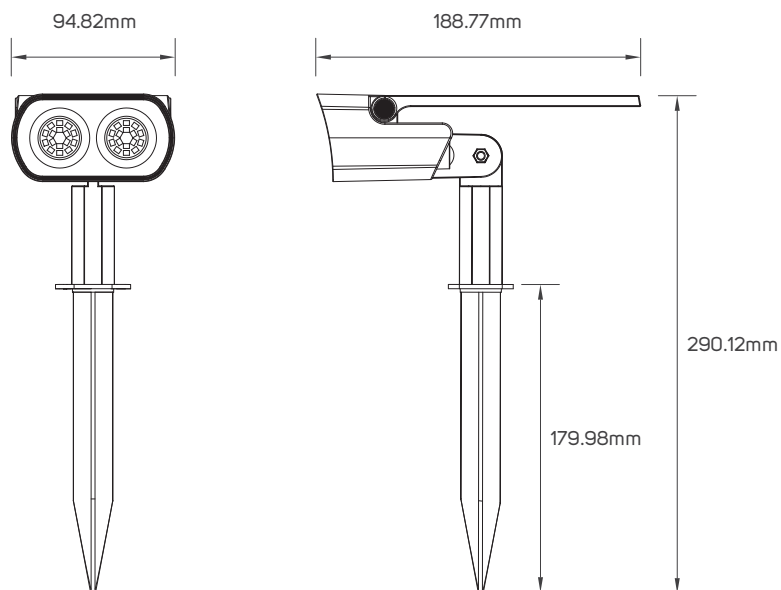
## TECHNICAL OPERATING & ELECTRICAL DATA

IP Rating	IP65
CRI	80
Body Color	Dark grey
Body Material	PC+ABS
Battery Voltage	4.5V
Mounting Type	Inground Spike
Ambient Temperature	-20°C~45°C
Dimming	Dimmable
Charging Time	>5hrs
Working Hours	8-10 Hrs
Lifespan	15000H

## SPECIFICATIONS

Code No.	Model No.	Power	Lumen	Efficacy	CCT	Beam Angle
614364	ILS8.5WSOFLWW01	2W	200lm	100lm/W	3000K	80°

## DIMENSIONS



## APPLICATION PICTURE



This image is for display purpose only, the image may differ from the actual product, as the product is subject to modification provided without prior notice.

## LED SOLAR BOLLARD LUMINAIRE SERIES

**BEYOND LIGHT..  
TO THE LAST DETAILS!**



Carrer de la Vall de la Ballestera, 64, 46015 València, Valencia, España, Tel: +34619824456

[www.illusillumination.com](http://www.illusillumination.com)

illus illumination reserve the right to make dimensional, design and technical alternations without prior notice. illus illumination endeavor to ensure that any advice, recommendation or information it provides in product literature is accurate and correct. However due to the fact that illus do not have direct control on where and how the products are installed, illus illumination cannot accept any liability either direct or indirect arising from the use of illus products whether or not in accordance with any advice, specification, recommendation or information provided by illus illumination or its distributors.