



CONNECTOR



**BEYOND LIGHT..
TO THE LAST DETAILS!**

AREAS OF APPLICATION



Hospitality



Shopping Center



Commercial



Educational Center

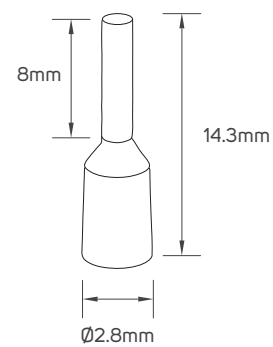
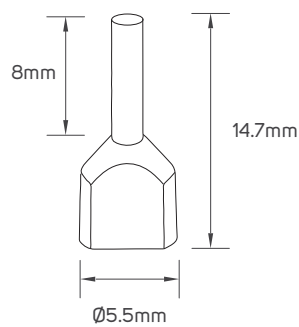
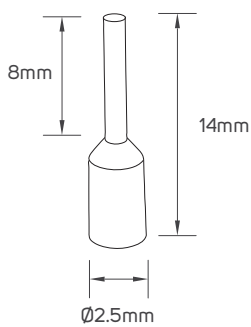
TECHNICAL OPERATING & ELECTRICAL DATA

IP Rating	IP20
Warranty Period	24 Months

SPECIFICATIONS

Code No.	Body Color	Body Material	Current
LI615897	Red+Chrome	Nylon +Red Copper	10A
LI615898	Red+Chrome	Nylon +Red Copper	13A
LI615899	Red+Chrome	Nylon +Red Copper	13A
LI615900	Red+Chrome	Nylon +Red Copper	20A
LI615901	Red+Chrome	Nylon +Red Copper	28A
LI615902	Red+Chrome	Nylon +Red Copper	28A
LI615903	Blue+Chrome	Nylon +Red Copper	35A

DIMENSIONS

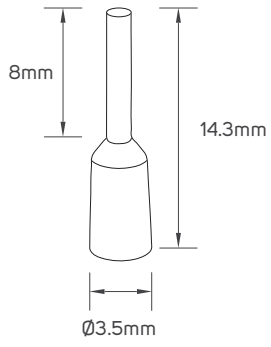


LI615897

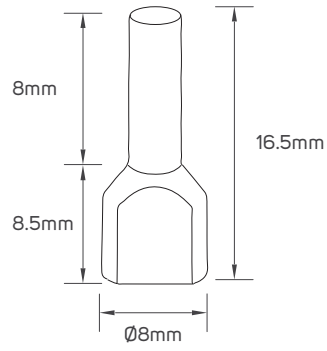
LI615898

LI615899

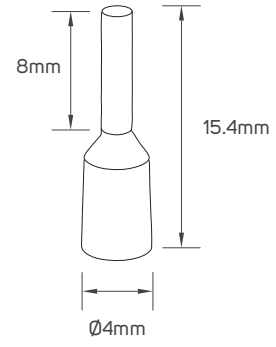
I DIMENSIONS



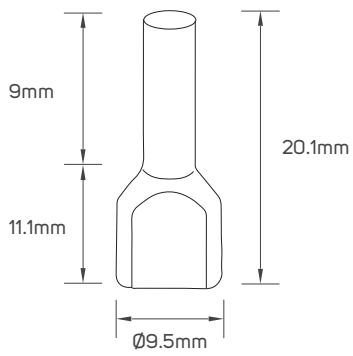
LI615900



LI615901



LI615902



LI615903

APPLICATION PICTURE



This image is for display purpose only, the image may differ from the actual product, as the product is subject to modification provided without prior notice.

CONNECTOR

**BEYOND LIGHT..
TO THE LAST DETAILS!**



build-station



lighting stores



illus lighting

C/ Cuenca, 87, Alaquas 46970, (Valencia) Spain, Ph. 34 961 623 958

www.illusillumination.com

illus illumination reserve the right to make dimensional, design and technical alternations without prior notice. illus illumination endeavor to ensure that any advice, recommendation or information it provides in product literature is accurate and correct. However due to the fact that illus do not have direct control on where and how the products are installed, illus illumination cannot accept any liability either direct or indirect arising from the use of illus products whether or not in accordance with any advice, specification, recommendation or information provided by illus illumination or its distributors.