

WATERPROOF CONNECTOR SERIES 1



AREAS OF APPLICATION



Hospitality



Shopping Center



Commercial



Educational Center

TECHNICAL OPERATING & ELECTRICAL DATA

IP Rating

IP68

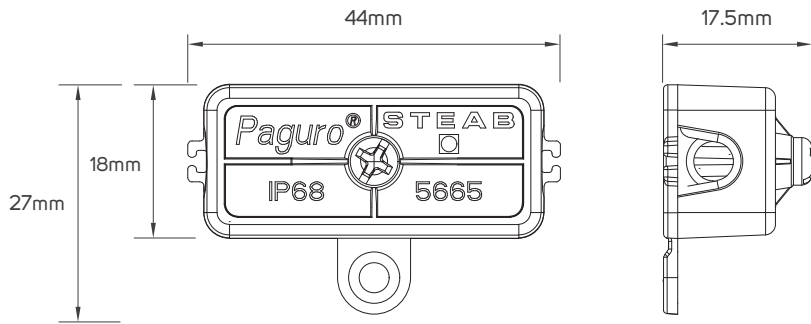
SPECIFICATIONS

Code No.	Model No.	Voltage	Current	Compatible with	Dimensions
211032	5665/////221	250V	6A	inner:2x0.75mm outer:4.8~6mm	27x44x17.5mm
211033	5664/////221	250V	6A	inner:2x1mm outer:4.5~8.5mm	39.5x80x19.5mm
211034	5695/1///221	250V	10A	inner:3x1.5mm outer:5.5~10mm	Ø23x70mm
211035	5633/////86	250V	10A	inner:3x1.5mm outer:8~10mm	42.5x29.5x38mm
211036	5650/3///221	250V	16A	inner:3x2.5mm outer:6.5~12mm	Ø29x100mm
211037	5625/////221	250V	16A	inner:3x2.5mm outer:6.5~12mm	44x105x24mm
211038	5660/3///221	450V	25A	inner:3x4mm outer:7.5~16mm	40x120x41mm
211039	5663/////221	450V	25A	inner main line:3x6mm derivation:3x2.5mm outer main line:7.5~16mm derivation:6.5~12mm	67x120x21mm
211040	5660/4///221	450V	25A	inner:3x4mm outer:7.5~16mm	78x138x35mm
211041	5698/////221	250V	6A	inner:3x1mm outer:5~7mm	37x55x10mm
211042	5695/3///221	250V	16A	inner main line:3x2.5mm derivation:3x1.5mm outer main line:6.5~12mm derivation:5.5~10mm	68.5x83x19.5mm
211043	5697/3///221	250V	16A	inner:3x2.5mm outer:6.5~12mm	43x90x20mm

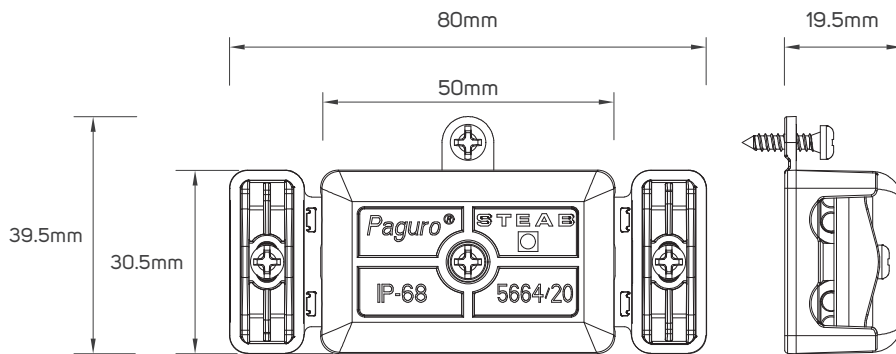
SPECIFICATIONS

Code No.	Model No.	Voltage	Current	Fixed or Adjustable	Cable Diameter	Dimensions
613167	ILSWPC03	450V	24A	adjustable	2xM20 (D8-4mm)	Ø25.96x94.19mm
613776	ILSWPC3T01	450V	24A	adjustable	3xM20 (4-8mm/6-11mm)	86.43x128.32x27.24mm
613777	ILSWPC4T01	450V	24A	adjustable	4xM20 (4-8mm/6-11mm)	128.32x128.32x27.24mm

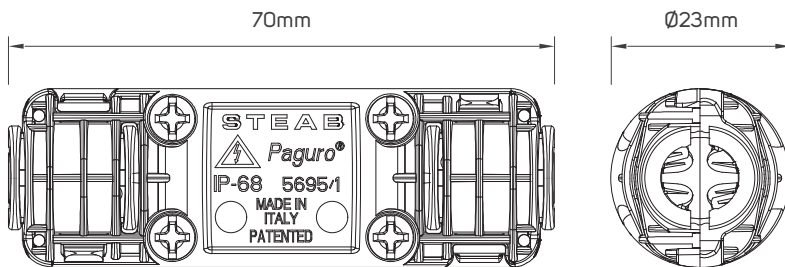
DIMENSIONS



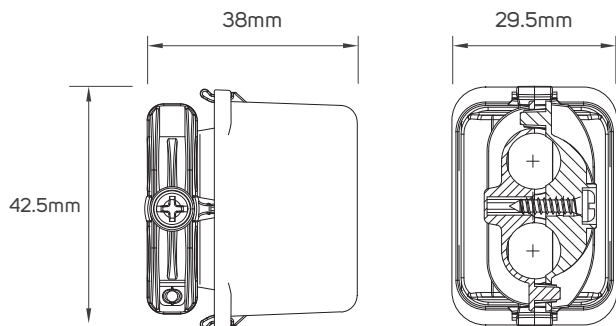
211032



211033

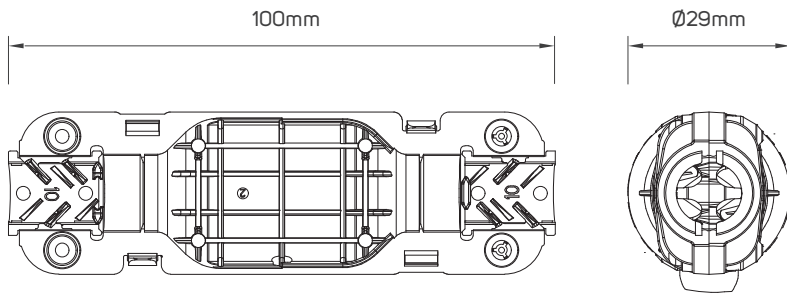


211034

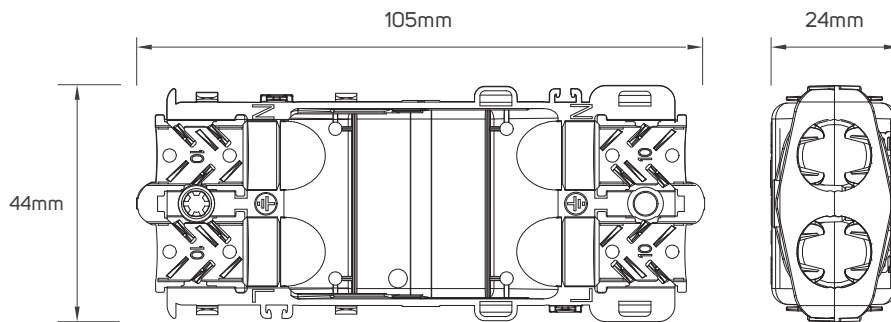


211035

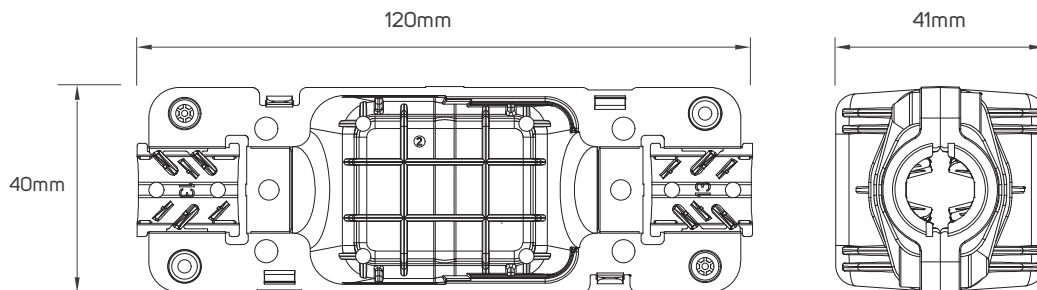
DIMENSIONS



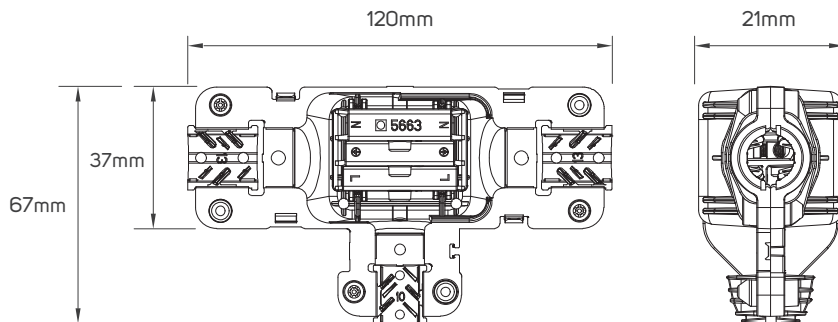
211036



211037

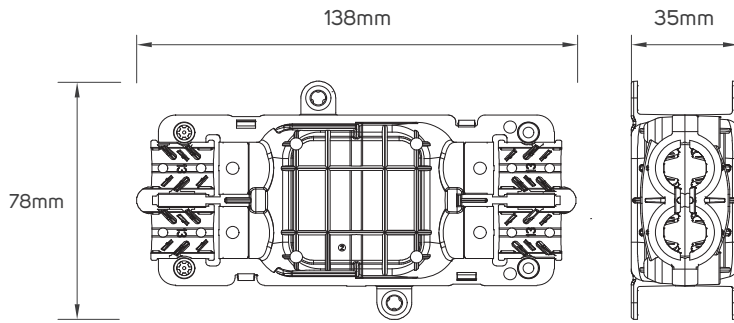


211038

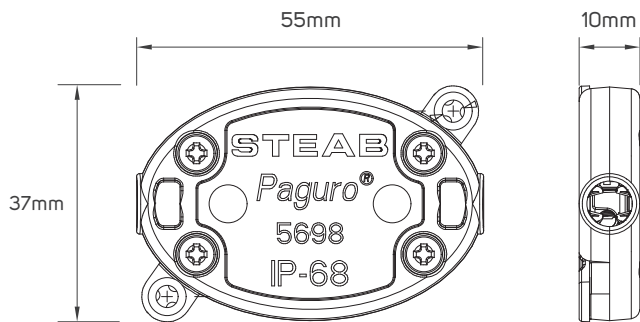


211039

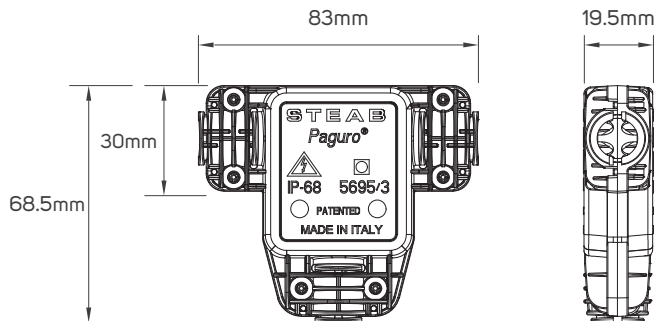
DIMENSIONS



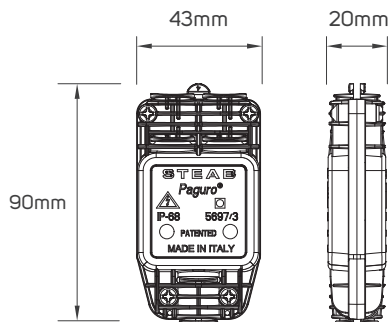
211040



211041

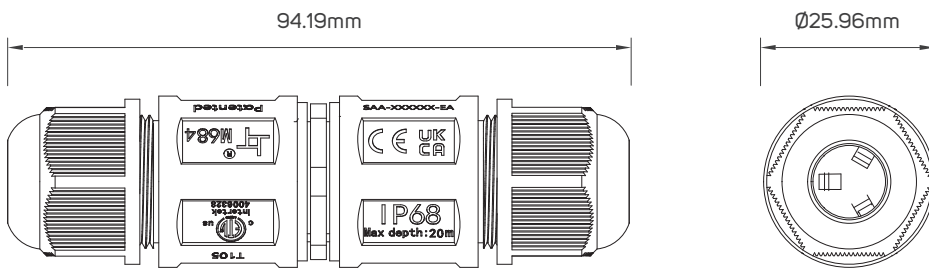


211042

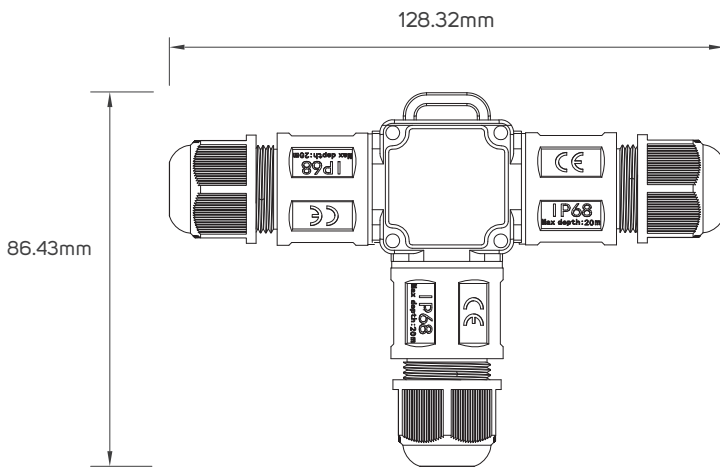


211043

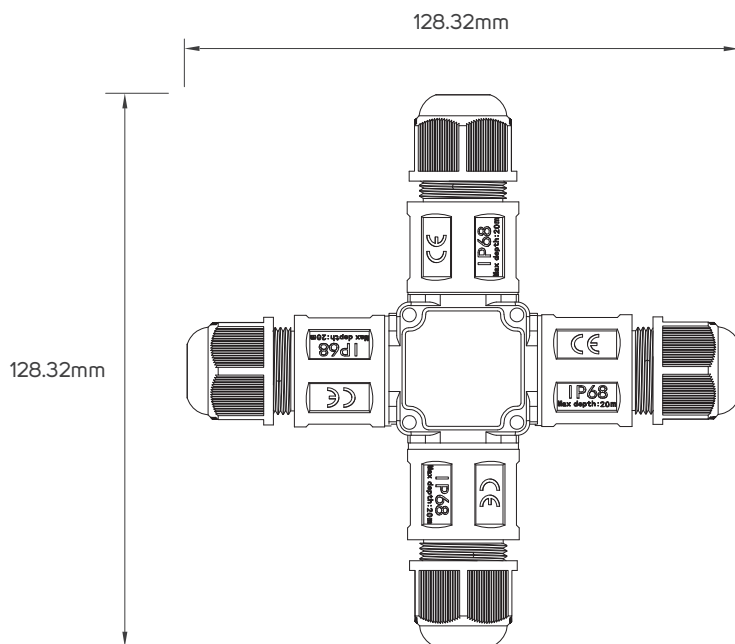
DIMENSIONS



613167



613776



613777

APPLICATION PICTURE



WATERPROOF CONNECTORS SERIES 1

