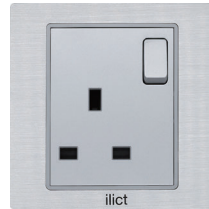




iIict



iIict



iIict



iIict



iIict



iIict



iIict



iIict

# SWITCHES & SOCKETS V7 ALUMINUM SERIES



## AREAS OF APPLICATION



Hospitality



Shopping Center



Commercial



Educational Center

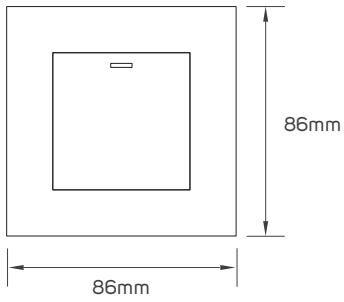
## TECHNICAL OPERATING & ELECTRICAL DATA

Mounting Type	Recessed in Wall
Fixed or Adjustable	Fixed
Embedding Depth	30mm
Module Material	PC
Frame Material	Aluminum
Module Color	Grey

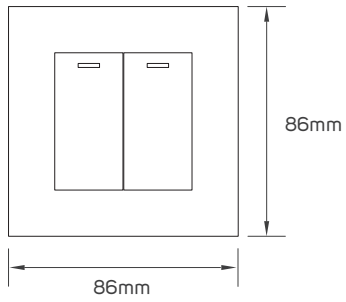
## SPECIFICATIONS

Code No.	Model No.	Current Capacity	Dimensions
531011	1G-1W-AS-Sw	250V~ 10AX	86x86x40mm
531012	1G-2W-AS-Sw	250V~ 10AX	86x86x40mm
531013	2G-1W-AS-Sw	250V~ 10AX	86x86x40mm
531014	2G-2W-AS-Sw	250V~ 10AX	86x86x40mm
531015	3G-1W-AS-Sw	250V~ 10AX	86x86x40mm
531283	4G-1W-AS-Sw	250V~ 10AX	86x86x40mm
531016	1G-SAT-AS-So	/	86x86x40mm
531017	1G-DATA-AS-So	/	86x86x40mm
531018	1G-TEL-AS-So	/	86x86x40mm
531095	2G-TEL+DATA-AS-So	/	86x86x40mm
531096	Blank-AS-Sw	/	86x86x40mm
531097	1G-600W-AS-LDIMM	250V~ 600W	86x86x40mm
531098	DP 1G-25A-AS-Sw	250V~ 25A	86x86x40mm
531099	1G-45A-DP-AS-Sw-N	250V~ 45A	86x86x40mm
531100	1G-BS-13A-DP-AS-So-Sw	250V~ 13A	86x86x40mm
531291	2G-BS-13A-DP-AS-So-Sw	250V~ 13A	146x86x40mm
531101	1G-300W-AS-VDIMM	250V~ 300W	86x86x40mm
531103	1G-VDIMM-AS-Sw	250V~ 5W	86x86x40mm
531224	2G-USB-AS-So	Input:100-240V,0.7A Output: 5VDC,3A 9VDC,2A 12VDC,1.5A	86x86x40mm
531105	2G-Shtr-AS-Sw	250V~ 10AX	86x86x40mm
531319	1G-BEL-AS-Sw	250V~ 10AX	86x86x40mm
531320	1G-SENS-AS-Sw	220V~ 100W	86x86x40mm
531700	2G-2WM-AS-Sw	250V~ 10AX	86x86x40mm
531701	3G-2W-AS-Sw	250V~ 10AX	86x86x40mm
531702	4G-2W-AS-Sw	250V~ 10AX	86x86x40mm

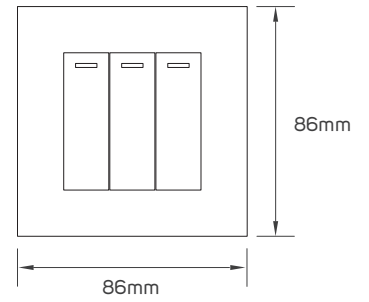
# DIMENSIONS



531011 - 531012



531013 - 531014 - 531700



531015 - 531701



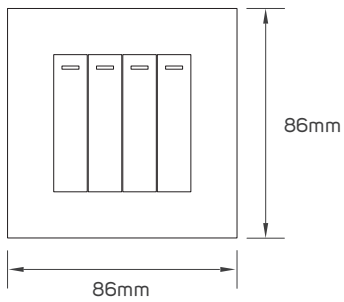
531011 - 531012



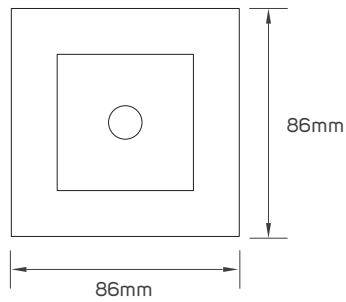
531013 - 531014 - 531700



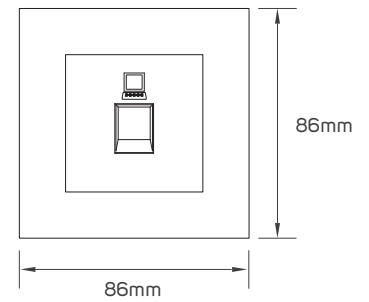
531015 - 531701



531283 - 531702



531016



531017



531283 - 531702

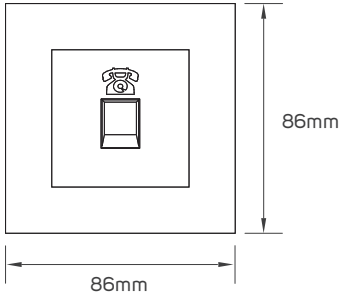


531016

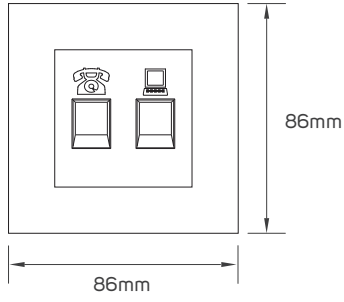


531017

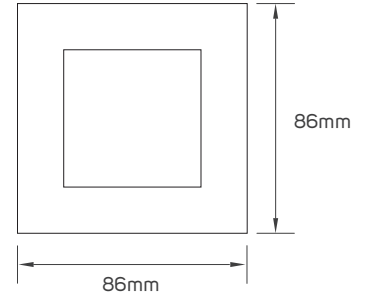
# DIMENSIONS



531018



531095



531096



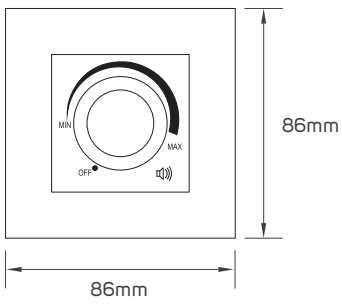
531018



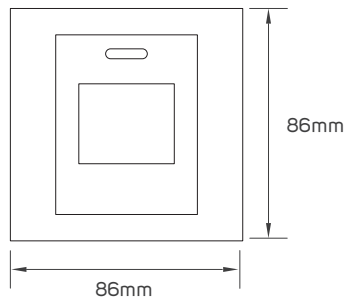
531095



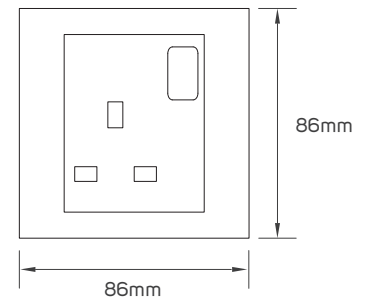
531096



531097



531098 - 531099



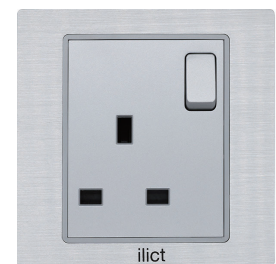
531100



531097

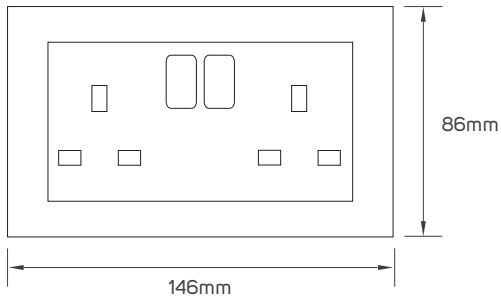


531098 - 531099

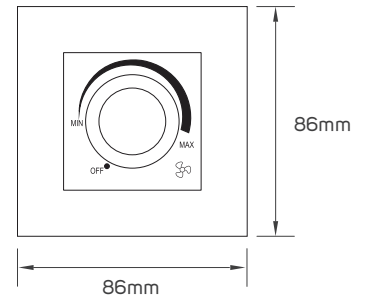


531100

# DIMENSIONS



531291



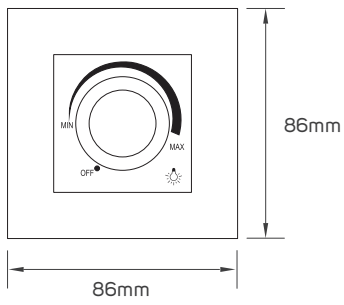
531101



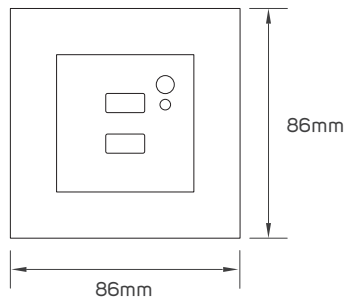
531291



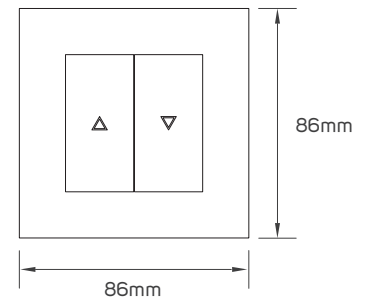
531101



531103



531224



531105



531103

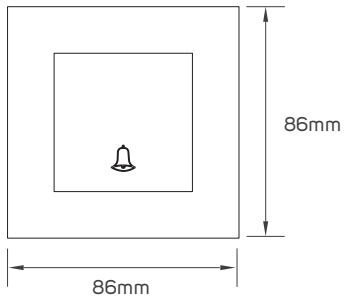


531224

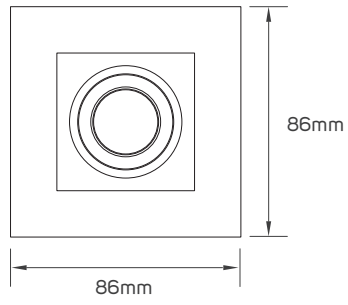


531105

## DIMENSIONS



531319



531320



531319



531320



## APPLICATION PICTURE



This image is for display purpose only, the image may differ from the actual product, as the product is subject to modification provided without prior notice.



## SWITCHES & SOCKETS V7 ALUMINUM SERIES

ilict

Carrer de la Vall de la Ballestera, 64, 46015 València, Valencia, España, Tel: +34619824456

[www.illusillumination.com](http://www.illusillumination.com)

illus illumination reserve the right to make dimensional, design and technical alternations without prior notice. illus illumination endeavor to ensure that any advice, recommendation or information it provides in product literature is accurate and correct. However due to the fact that illus do not have direct control on where and how the products are installed, illus illumination cannot accept any liability either direct or indirect arising from the use of illus products whether or not in accordance with any advice, specification, recommendation or information provided by illus illumination or its distributors.

1192021V1