

**SWITCHES & SOCKETS
V7-TEMPERED GLASS & SNOW WHITE
SILVER MODULE SERIES**



AREAS OF APPLICATION



Hospitality



Shopping Center



Commercial



Educational Center

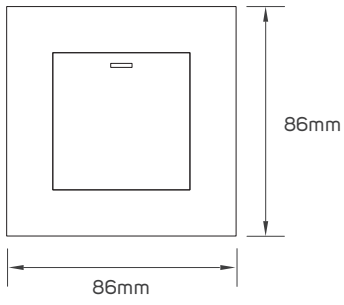
TECHNICAL OPERATING & ELECTRICAL DATA

Mounting Type	Recessed in Wall
Fixed or Adjustable	Fixed
Embedding Depth	30mm
Module Material	PC
Frame Material	Tempered Glass

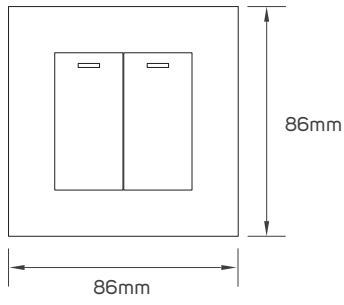
SPECIFICATIONS

Code No.	Model No.	Module Color	Current Capacity	Dimensions
531109	1G-1W-GW-Sw	grey	250V~ 10AX	86x86x40mm
531110	1G-2W-GW-Sw	grey	250V~ 10AX	86x86x40mm
531111	2G-1W-GW-Sw	grey	250V~ 10AX	86x86x40mm
531112	2G-2W-GW-Sw	grey	250V~ 10AX	86x86x40mm
531113	3G-1W-GW-Sw	grey	250V~ 10AX	86x86x40mm
531286	4G-1W-GW-Sw	grey	250V~ 10AX	86x86x40mm
531114	1G-SAT-GW-So	grey	/	86x86x40mm
531115	1G-DATA-GW-So	grey	/	86x86x40mm
531116	1G-TEL-GW-So	grey	/	86x86x40mm
531118	2G-TEL+DATA-GW-So	grey	/	86x86x40mm
531119	Blank-GW-Sw	grey	/	86x86x40mm
531120	1G-200WLDIMM-GW-Sw	grey	250V~ 600W	86x86x40mm
531121	1G-25A-DP-Gw-Sw-N	grey	250V~ 25A	86x86x40mm
531122	1G-45A-DP-Gw-Sw-N	grey	250V~ 45A	86x86x40mm
531123	1G-BS-13A-DP-GW-So-Sw	grey	250V~ 13A	86x86x40mm
531294	2G-BS-13A-DP-GW-So-Sw	grey	250V~ 13A	146x86x40mm
531124	1G-300W-GW-SDIMM	grey	250V~ 300W	86x86x40mm
531126	1G-VDMM-GW-Sw	grey	250V~ 5W	86x86x40mm
531127	2G-USB-GW-So	grey	Input:100-240V,0.7A Output: 5VDC,3A 9VDC,2A 12VDC,1.5A	86x86x40mm
531128	2G-Shtr-GW-Sw	grey	250V~ 10AX	86x86x40mm
531325	1G-BEL-GW-Sw	grey	250V~ 10AX	86x86x40mm
531326	1G-SENS-GW-Sw	grey	220V~ 100W	86x86x40mm
531709	2G-2WM-GW-Sw	silver	250V~ 10AX	86x86x40mm
531710	3G-2W-GW-Sw	silver	250V~ 10AX	86x86x40mm
531711	4G-2W-GW-Sw	silver	250V~ 10AX	86x86x40mm

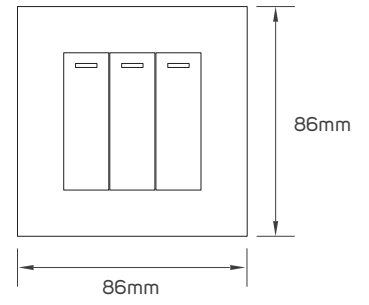
DIMENSIONS



531109 - 531110



531111 - 531112 - 531709



531113 - 531710



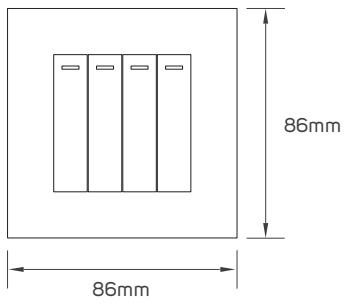
531109 - 531110



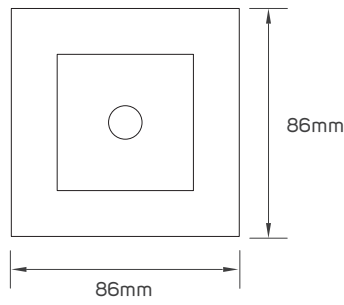
531111 - 531112 - 531709



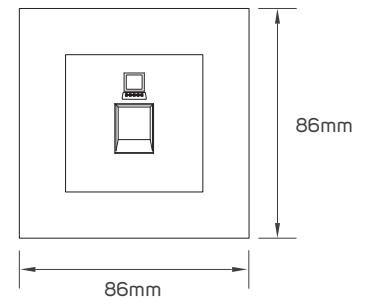
531113 - 531710



531286 - 531711



531114



531115



531286 - 531711

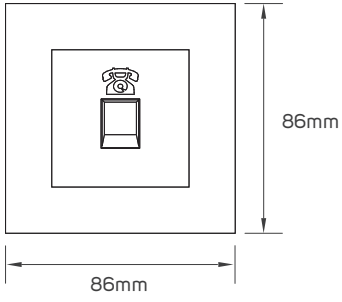


531114

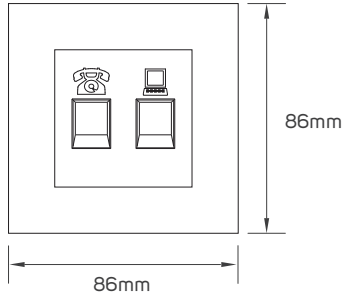


531115

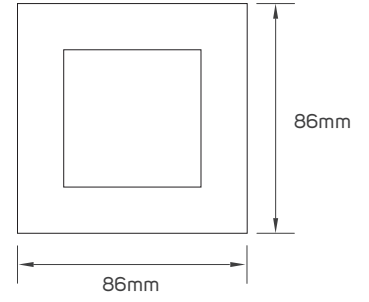
DIMENSIONS



531116



531118



531119



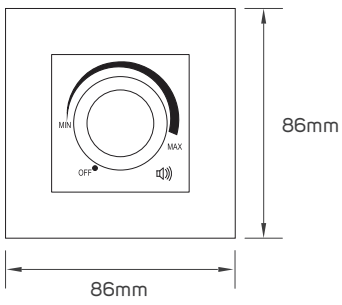
531116



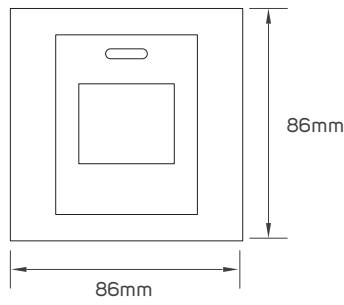
531118



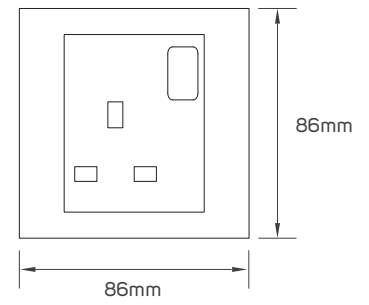
531119



531120



531121 - 531122



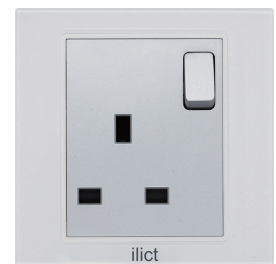
531123



531120

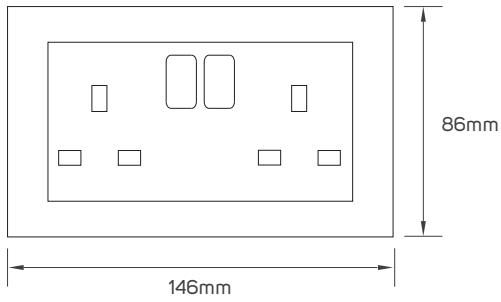


531121 - 531122

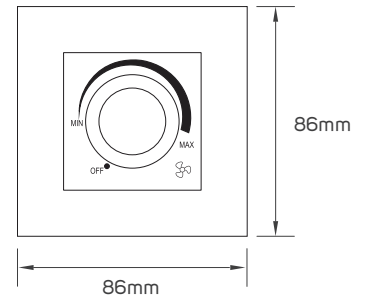


531123

DIMENSIONS



531294



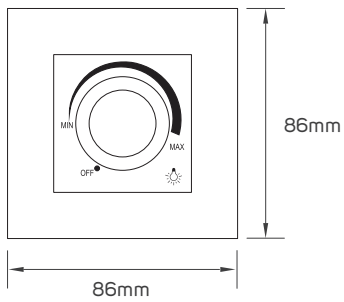
531124



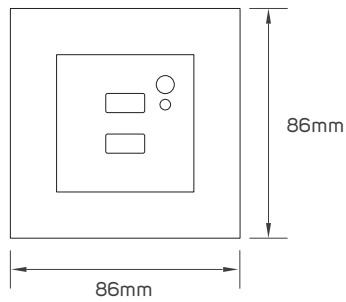
531294



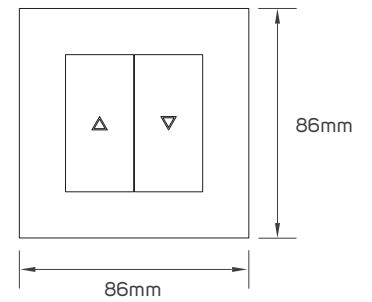
531124



531126



531127



531128



531126

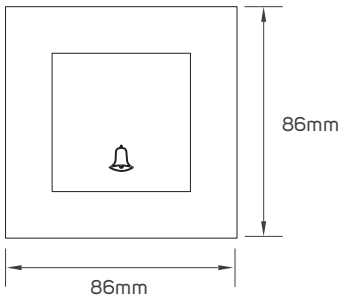


531127

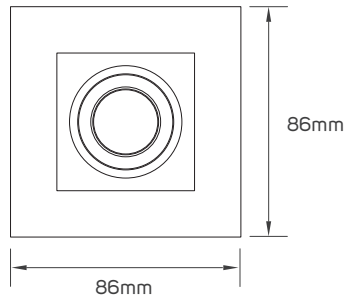


531128

I DIMENSIONS



531325



531326



531325



531326

APPLICATION PICTURE



This image is for display purpose only, the image may differ from the actual product, as the product is subject to modification provided without prior notice.



SWITCHES & SOCKETS V7-TEMPERED GLASS & SNOW WHITE SILVER MODULE SERIES

ilict

Carrer de la Vall de la Ballestera, 64, 46015 València, Valencia, España, Tel: +34619824456

www.illusillumination.com

illus illumination reserve the right to make dimensional, design and technical alternations without prior notice. illus illumination endeavor to ensure that any advice, recommendation or information it provides in product literature is accurate and correct. However due to the fact that illus do not have direct control on where and how the products are installed, illus illumination cannot accept any liability either direct or indirect arising from the use of illus products whether or not in accordance with any advice, specification, recommendation or information provided by illus illumination or its distributors.

1192021V1