

**SWITCHES & SOCKETS
D7-PLASTIC MATT WHITE
SERIES**



AREAS OF APPLICATION



Hospitality



Shopping Center



Commercial



Educational Center

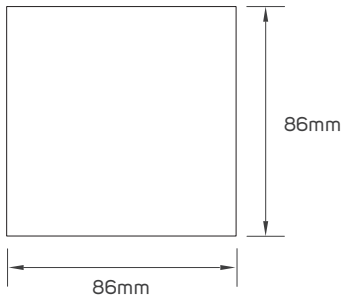
TECHNICAL OPERATING & ELECTRICAL DATA

Mounting Type	Recessed in Wall
Fixed or Adjustable	Fixed
Embedding Depth	30mm
Module Material	PC
Frame Material	Metal Piano
Module Color	White

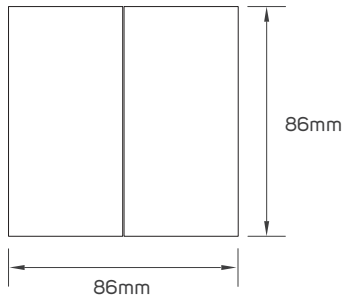
SPECIFICATIONS

Code No.	Model No.	Current Capacity	Dimensions
531229	1G-1W-PW-Sw	250V~ 10AX	86x86x40mm
531230	1G-2W-PW-Sw	250V~ 10AX	86x86x40mm
531231	2G-1W-PW-Sw	250V~ 10AX	86x86x40mm
531232	2G-2W-PW-Sw	250V~ 10AX	86x86x40mm
531233	3G-1W-PW-Sw	250V~ 10AX	86x86x40mm
531288	4G-1W-PW-Sw	250V~ 10AX	86x86x40mm
531234	1G-SAT-PW-So	/	86x86x40mm
531235	1G-DATA-PW-So	/	86x86x40mm
531236	1G-TEL-PW-So	/	86x86x40mm
531237	2G-TEL+DATA-PW-So	/	86x86x40mm
531238	Blank-PW-Sw	/	86x86x40mm
531239	1G-200WLDIMM-PW-Sw	250V~ 600W	86x86x40mm
531240	1G-25A-DP-PW-Sw-N	250V~ 25A	86x86x40mm
531241	1G-45A-DP-PW-Sw-N	250V~ 45A	86x86x40mm
531242	1G-BS-13A-DP-PW-So-Sw	250V~ 13A	86x86x40mm
531296	2G-BS-13A-DP-PW-So-Sw	250V~ 13A	146x86x40mm
531243	1G-300W-PW-SDIMM	250V~ 300W	86x86x40mm
531245	2G-USB-PW-So	250V~ 5W	86x86x40mm
531244	1G-VDIMM-PW-Sw	Input:100-240V,0.7A Output: 5VDC,3A 9VDC,2A 12VDC,1.5A	86x86x40mm
531246	2G-Shtr-PW-Sw	250V~ 10AX	86x86x40mm
531329	1G-BEL-PW-Sw	250V~ 10AX	86x86x40mm
531330	1G-SENS-PW-Sw	220V~ 100W	86x86x40mm
531715	2G-2WM-PW-Sw	250V~ 10AX	86x86x40mm
531716	3G-2W-PW-Sw	250V~ 10AX	86x86x40mm
531717	4G-2W-PW-Sw	250V~ 10AX	86x86x40mm

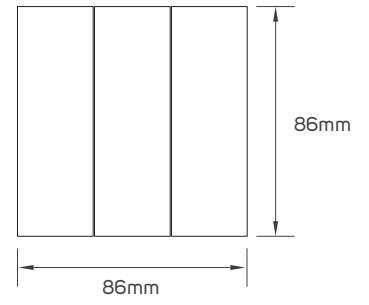
DIMENSIONS



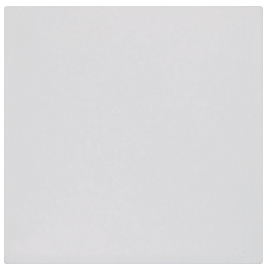
531229 - 531230



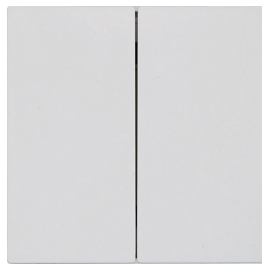
531231 - 531232 - 531715



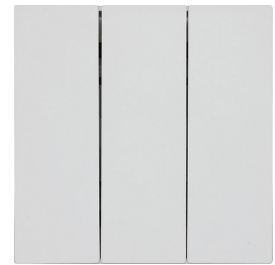
531233 - 531716



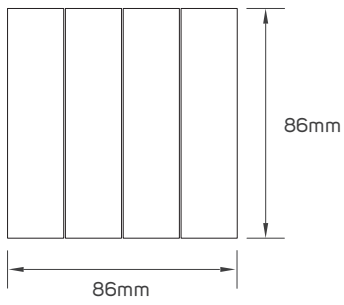
531229 - 531230



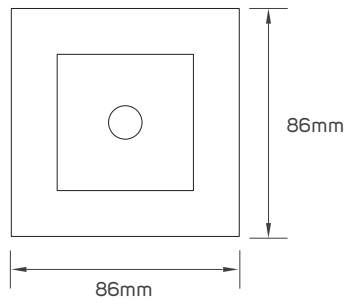
531231 - 531232 - 531715



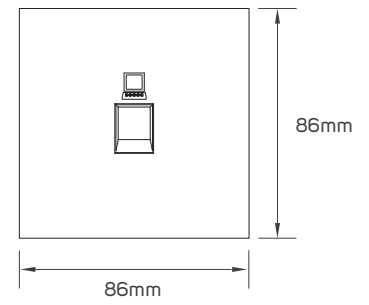
531233 - 531716



531288 - 531717



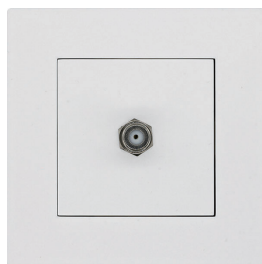
531234



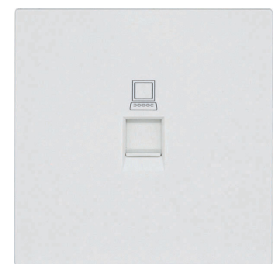
531235



531288 - 531717

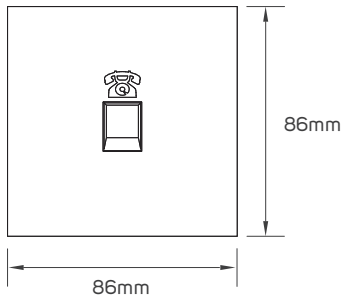


531234

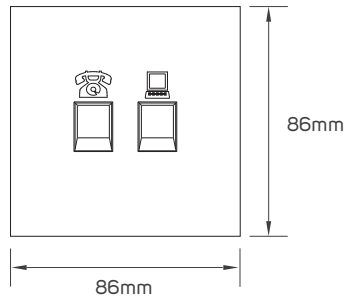


531235

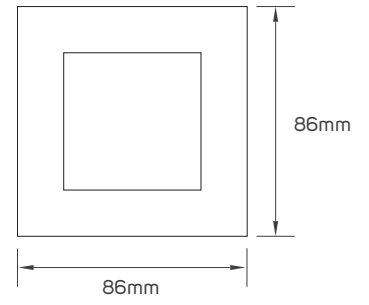
DIMENSIONS



531236



531237



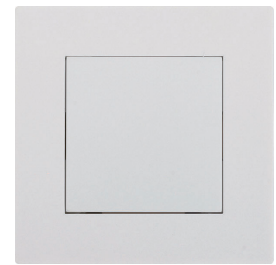
531238



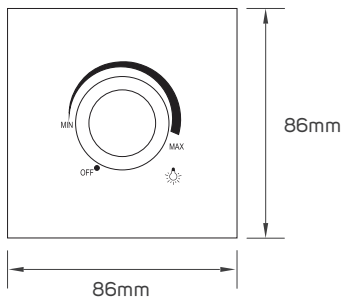
531236



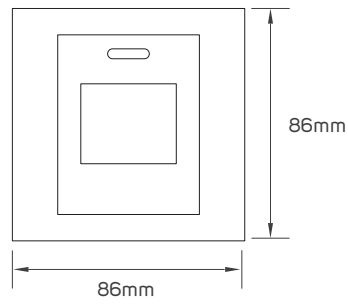
531237



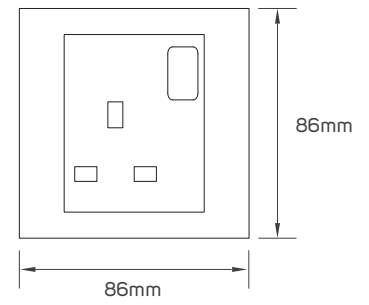
531238



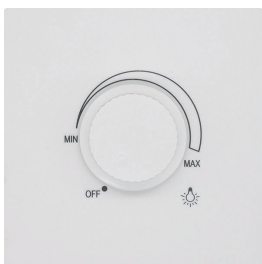
531239



531240 - 531241



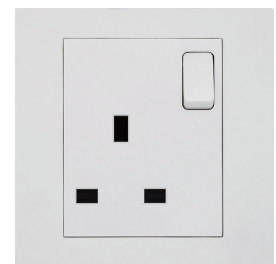
531242



531239

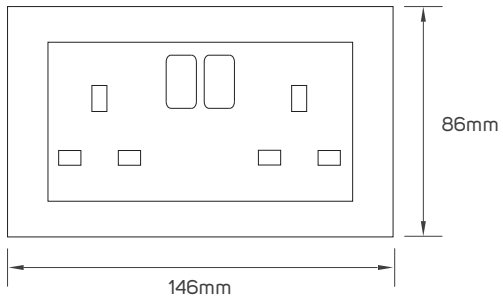


531240 - 531241

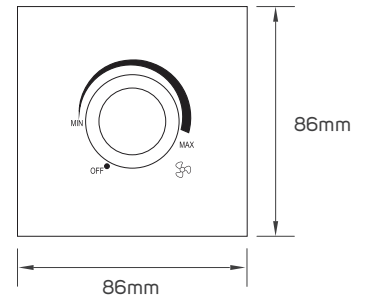


531242

DIMENSIONS



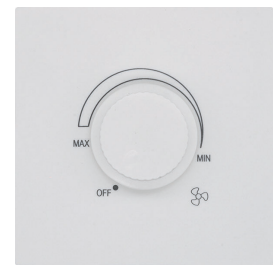
531296



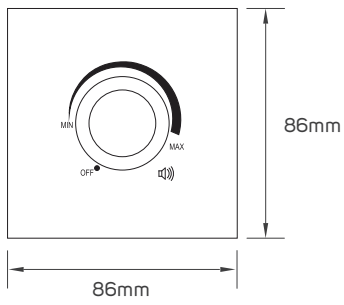
531243



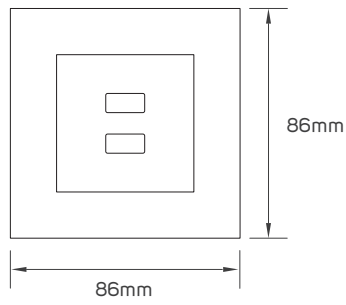
531296



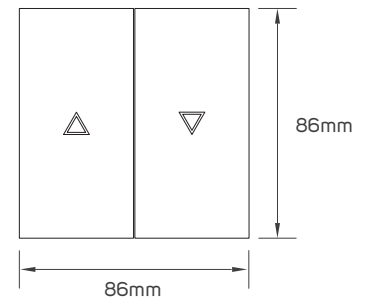
531243



531245



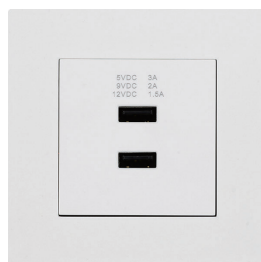
531244



531246



531245

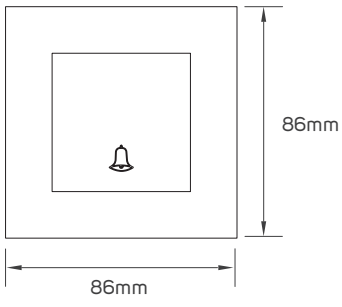


531244

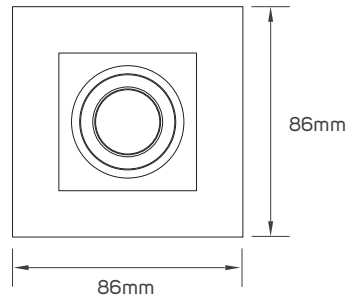


531246

I DIMENSIONS



531329



531330

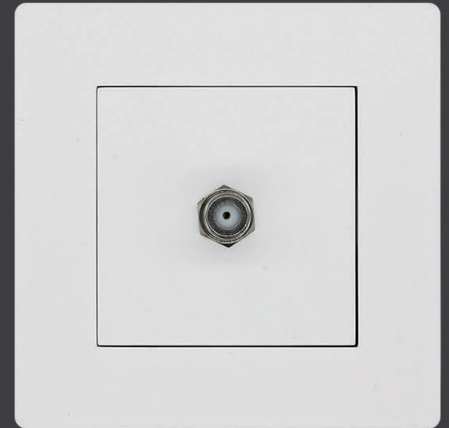


531329



531330

APPLICATION PICTURE



SWITCHES & SOCKETS D7-PLASTIC MATT WHITE SERIES

ilict

Carrer de la Vall de la Ballestera, 64, 46015 València, Valencia, España, Tel: +34619824456

www.illusillumination.com

illus illumination reserve the right to make dimensional, design and technical alternations without prior notice. illus illumination endeavor to ensure that any advice, recommendation or information it provides in product literature is accurate and correct. However due to the fact that illus do not have direct control on where and how the products are installed, illus illumination cannot accept any liability either direct or indirect arising from the use of illus products whether or not in accordance with any advice, specification, recommendation or information provided by illus illumination or its distributors.

1192021V1