

**SWITCHES & SOCKETS
D7-PLASTIC GREY
SERIES**



AREAS OF APPLICATION



Hospitality



Shopping Center



Commercial



Educational Center

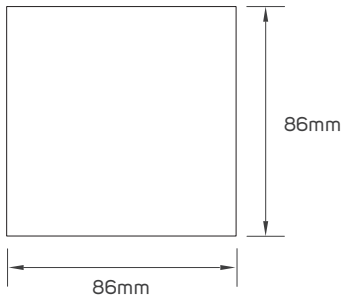
TECHNICAL OPERATING & ELECTRICAL DATA

Mounting Type	Recessed in Wall
Fixed or Adjustable	Fixed
Embedding Depth	30mm
Module Material	PC
Frame Material	Plastic Piano
Module Color	Grey

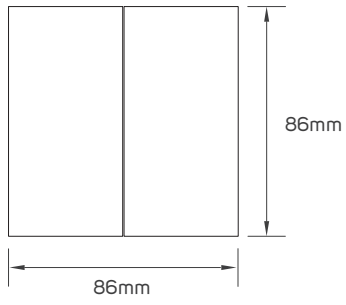
SPECIFICATIONS

Code No.	Model No.	Current Capacity	Dimensions
531265	1G-1W-PGR-Sw	250V~ 10AX	86x86x40mm
531266	1G-2W-PGR-Sw	250V~ 10AX	86x86x40mm
531267	2G-1W-PGR-Sw	250V~ 10AX	86x86x40mm
531268	2G-2W-PGR-Sw	250V~ 10AX	86x86x40mm
531269	3G-1W-PGR-Sw	250V~ 10AX	86x86x40mm
531290	4G-1W-PGR-Sw	250V~ 10AX	86x86x40mm
531270	1G-SAT-PGR-So	/	86x86x40mm
531271	1G-DATA-PGR-So	/	86x86x40mm
531272	1G-TEL-PGR-So	/	86x86x40mm
531273	2G-TEL+DATA-PGR-So	/	86x86x40mm
531274	Blank-PGR-Sw	/	86x86x40mm
531275	1G-200WLDIMM-PGR-Sw	250V~ 600W	86x86x40mm
531276	1G-25A-DP-PGR-Sw-N	250V~ 25A	86x86x40mm
531277	1G-45A-DP-PGR-Sw-N	250V~ 45A	86x86x40mm
531278	1G-BS-13A-DP-PGR-So-Sw	250V~ 13A	86x86x40mm
531298	2G-BS-13A-DP-PGR-So-Sw	250V~ 13A	146x86x40mm
531279	1G-300W-PGR-SDIMM	250V~ 300W	86x86x40mm
531281	1G-VDIMM-PGR-Sw	250V~ 5W	86x86x40mm
531280	2G-USB-PGR-So	Input:100-240V,0.7A Output: 5VDC,3A 9VDC,2A 12VDC,1.5A	86x86x40mm
531282	2G-Shtr-PGR-Sw	250V~ 10AX	86x86x40mm
531333	1G-BEL-PGR-Sw	250V~ 10AX	86x86x40mm
531334	1G-SENS-PGR-Sw	220V~ 100W	86x86x40mm
531721	2G-2WM-PGR-Sw	250V~ 10AX	86x86x40mm
531722	3G-2W-PGR-Sw	250V~ 10AX	86x86x40mm
531723	4G-2W-PGR-Sw	250V~ 10AX	86x86x40mm

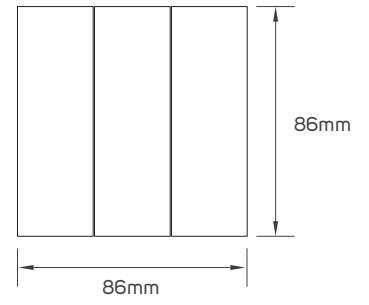
DIMENSIONS



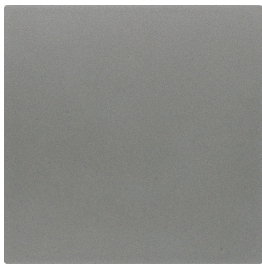
531265 - 531266



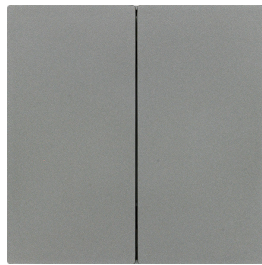
531267 - 531268 - 531721



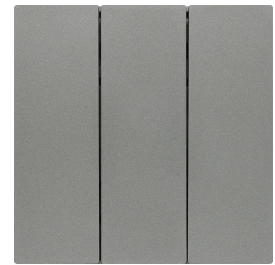
531269 - 531722



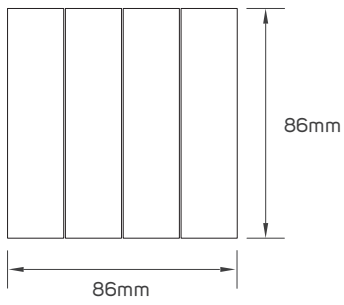
531265 - 531266



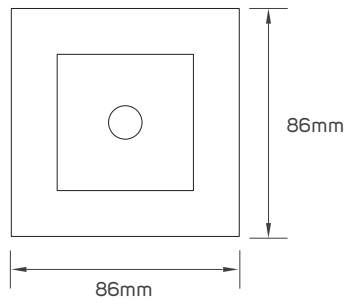
531267 - 531268 - 531721



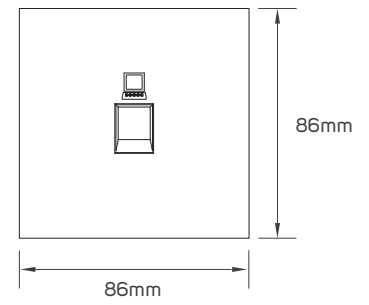
531269 - 531722



531290 - 531723



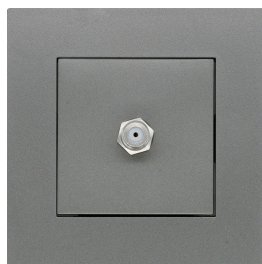
531270



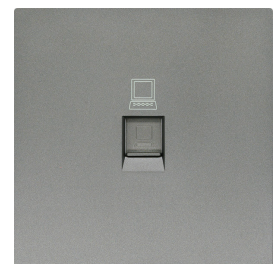
531271



531290 - 531723

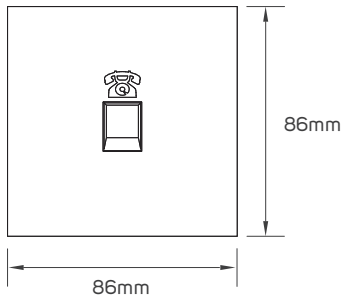


531270

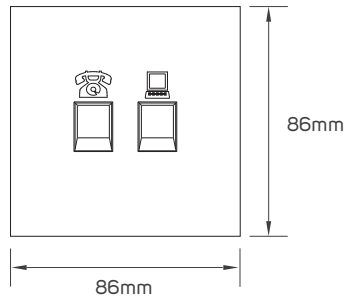


531271

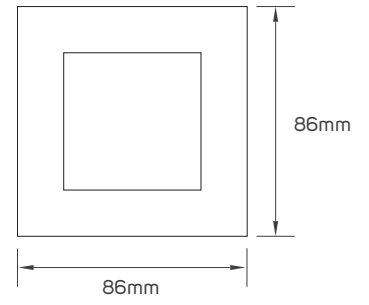
DIMENSIONS



531272



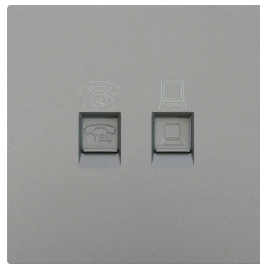
531273



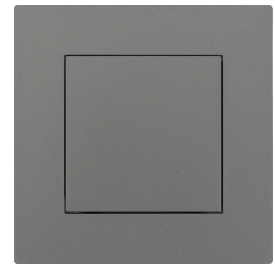
531274



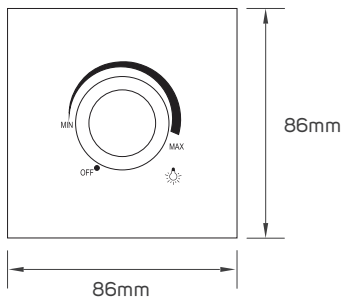
531272



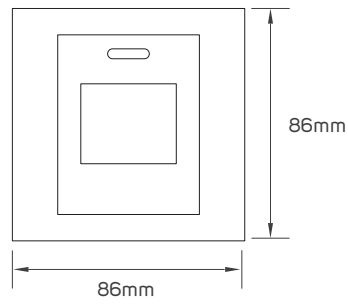
531273



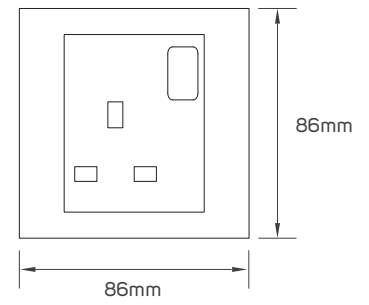
531274



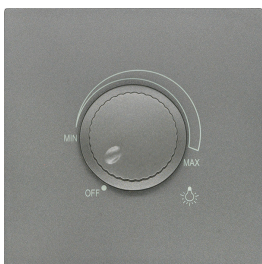
531275



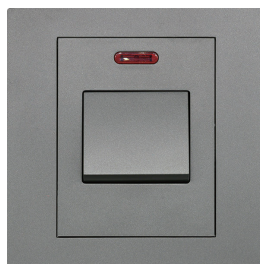
531276 - 531277



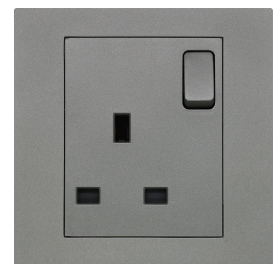
531278



531275

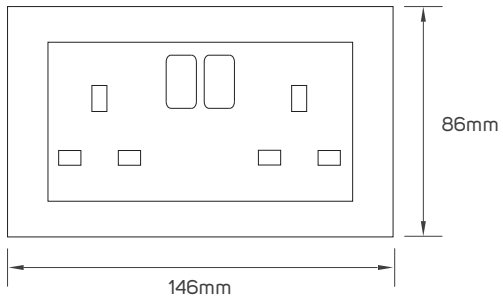


531276 - 531277

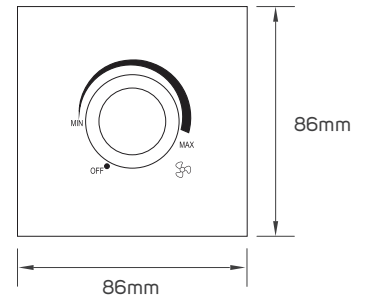


531278

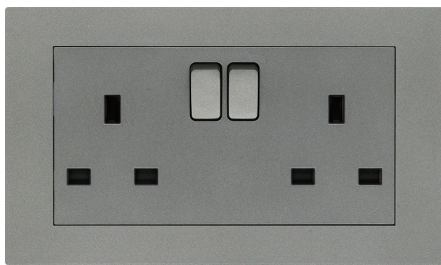
DIMENSIONS



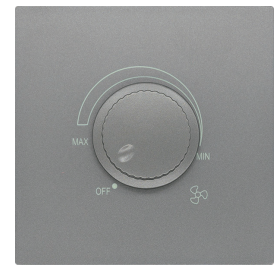
531298



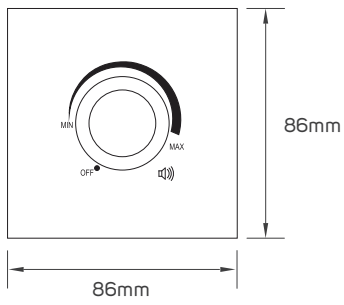
531279



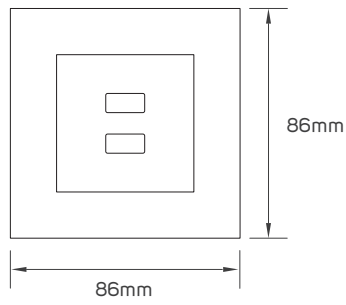
531298



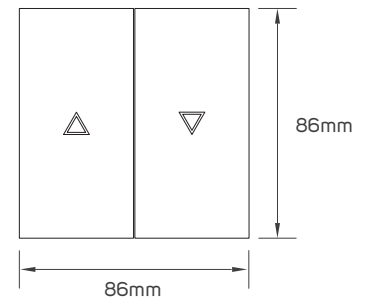
531279



531281



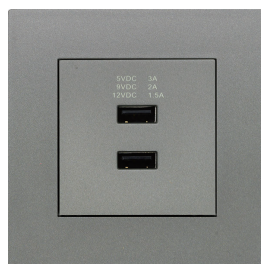
531280



531282



531281

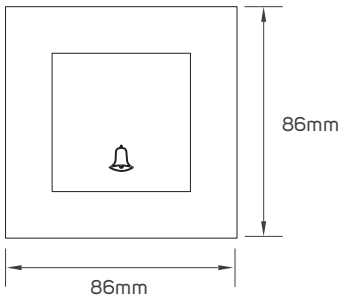


531280

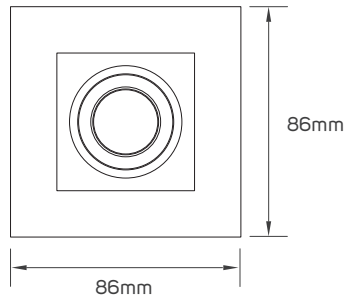


531282

I DIMENSIONS



531333



531334



531333



531334

APPLICATION PICTURE



SWITCHES & SOCKETS D7-PLASTIC GREY SERIES

ilict

Carrer de la Vall de la Ballestera, 64, 46015 València, Valencia, España, Tel: +34619824456

www.illusillumination.com

illus illumination reserve the right to make dimensional, design and technical alternations without prior notice. illus illumination endeavor to ensure that any advice, recommendation or information it provides in product literature is accurate and correct. However due to the fact that illus do not have direct control on where and how the products are installed, illus illumination cannot accept any liability either direct or indirect arising from the use of illus products whether or not in accordance with any advice, specification, recommendation or information provided by illus illumination or its distributors.

1192021V1