

SWITCHES & SOCKETS V5-GOLDEN WITH LB MODULE SERIES



AREAS OF APPLICATION



Hospitality



Shopping Center



Commercial



Educational Center

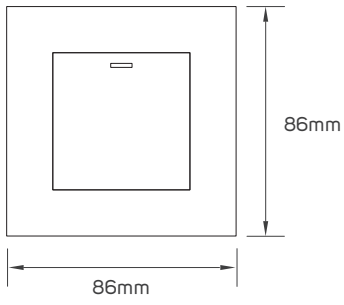
TECHNICAL OPERATING & ELECTRICAL DATA

Mounting Type	Recessed in Wall
Fixed or Adjustable	Fixed
Embedding Depth	30mm
Module Material	PC
Frame Material	Metal Piano
Module Color	Light Brown

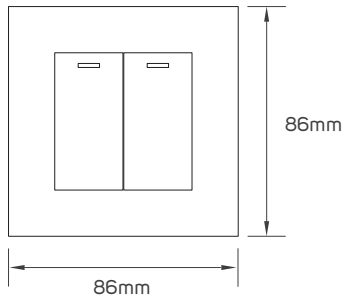
SPECIFICATIONS

Code No.	Model No.	Current Capacity	Dimensions
531204	1G-1W-SG-Sw	250V~ 10AX	86x86x40mm
531205	1G-2W-SG-Sw	250V~ 10AX	86x86x40mm
531206	2G-1W-SG-Sw	250V~ 10AX	86x86x40mm
531207	2G-2W-SG-Sw	250V~ 10AX	86x86x40mm
531208	3G-1W-SG-Sw	250V~ 10AX	86x86x40mm
531285	4G-1W-SG-Sw	250V~ 10AX	86x86x40mm
531209	1G-SAT-SG-So	/	86x86x40mm
531210	1G-DATA-SG-So	/	86x86x40mm
531211	1G-TEL-SG-So	/	86x86x40mm
531213	2G-TEL+DATA-SG-So	/	86x86x40mm
531214	Blank-SG-Sw	/	86x86x40mm
531215	1G-200WLDIMM-SG-Sw	250V~ 600W	86x86x40mm
531216	1G-25A-DP-SG-Sw-N	250V~ 25A	86x86x40mm
531217	DP 1G-45A-SG-Sw	250V~ 45A	86x86x40mm
531218	1G-BS-13A-DP-SG-So-Sw	250V~ 13A	86x86x40mm
531293	2G-BS-13A-DP-SG-So-Sw	250V~ 13A	146x86x40mm
531219	1G-300W-SG-SDIMM	250V~ 300W	86x86x40mm
531221	1G-VDIMM-SG-Sw	250V~ 5W	86x86x40mm
531226	2G-USB-SG-So	Input:100-240V,0.7A Output: 5VDC,3A 9VDC,2A 12VDC,1.5A	86x86x40mm
531223	2G-Shtr-SG-Sw	250V~ 10AX	86x86x40mm
531323	1G-BEL-SG-Sw	250V~ 10AX	86x86x40mm
531324	1G-SENS-SG-Sw	220V~ 100W	86x86x40mm
531706	2G-2WM-SG-Sw	250V~ 10AX	86x86x40mm
531707	3G-2W-SG-Sw	250V~ 10AX	86x86x40mm
531708	4G-2W-SG-Sw	250V~ 10AX	86x86x40mm

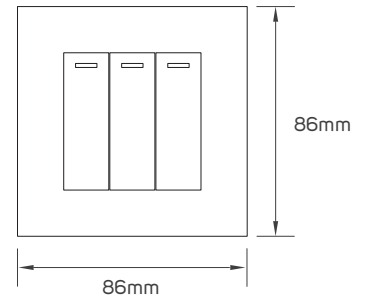
DIMENSIONS



531204 - 531205



531206 - 531207 - 531706



531208 - 531707



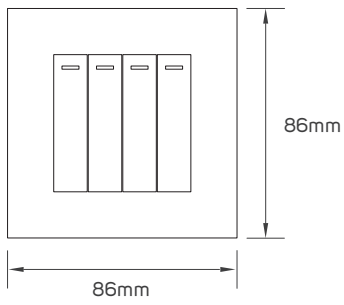
531204 - 531205



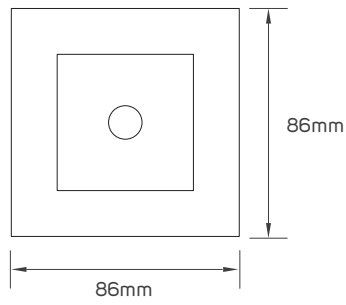
531206 - 531207 - 531706



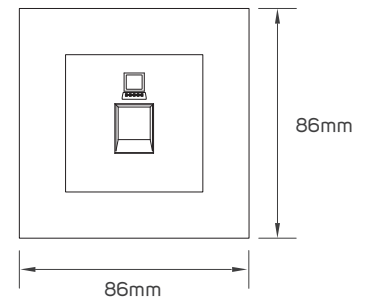
531208 - 531707



531285 - 531708



531209



531210



531285 - 531708

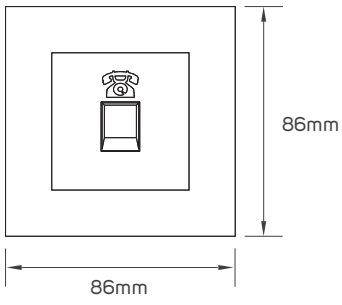


531209

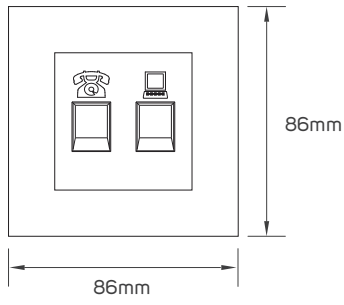


531210

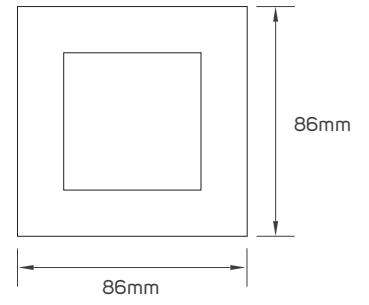
DIMENSIONS



531211



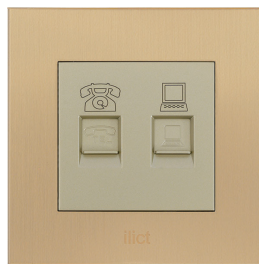
531213



531214



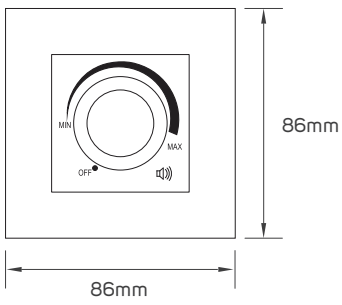
531211



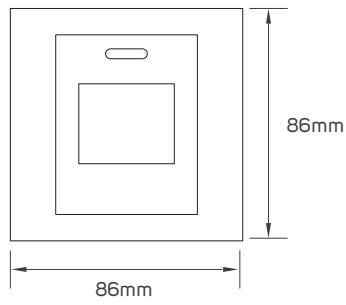
531213



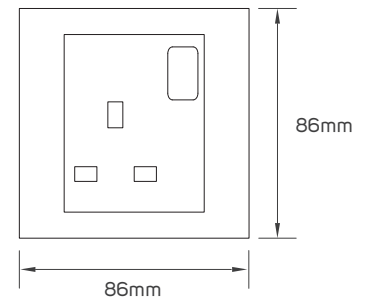
531214



531215



531216 - 531217



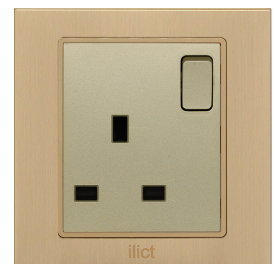
531218



531215

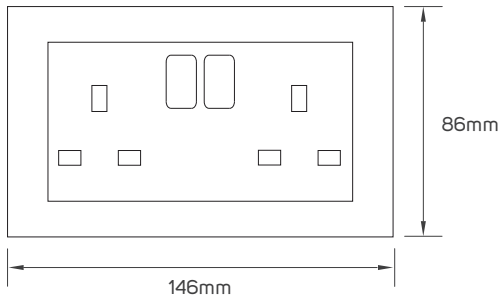


531216 - 531217

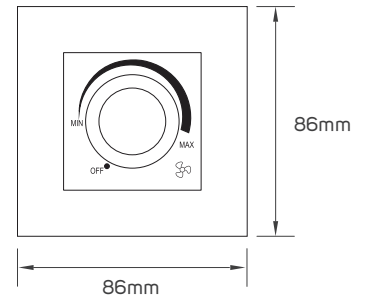


531218

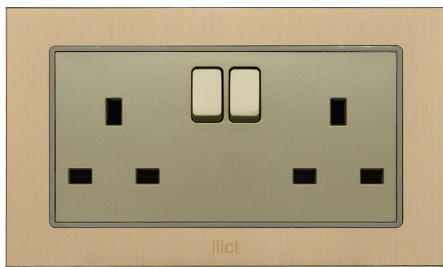
DIMENSIONS



531293



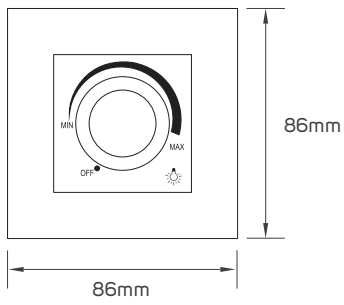
531219



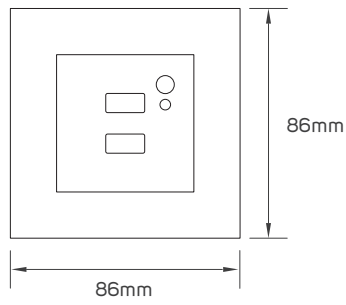
531293



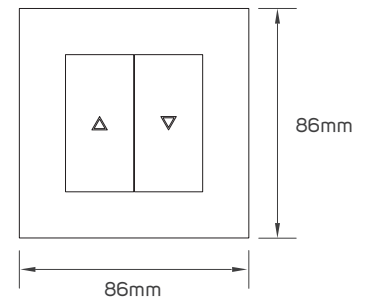
531219



531221



531226



531223



531221

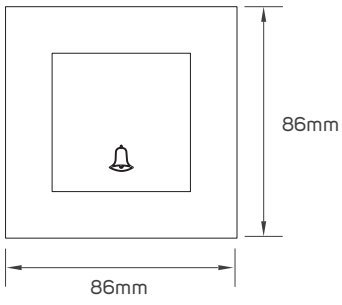


531226

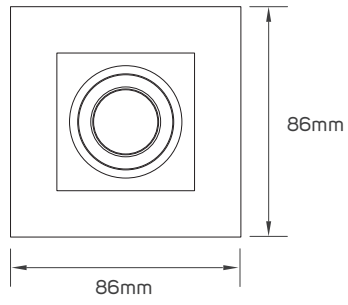


531223

DIMENSIONS



531323



531324



531323



531324



**SWITCHES & SOCKETS
V5-GOLDEN WITH LB MODULE
SERIES**

