



**SWITCHES & SOCKETS
D8A- STAINLESS STEEL, BLACK
WITH OIL COLOR SERIES**



AREAS OF APPLICATION



Hospitality



Shopping Center



Commercial



Educational Center

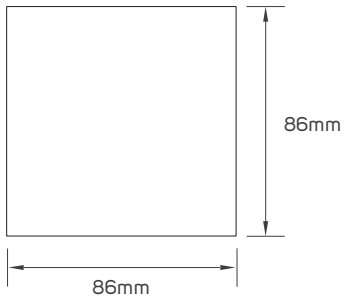
TECHNICAL OPERATING & ELECTRICAL DATA

Mounting Type	Recessed in Wall
Fixed or Adjustable	Fixed
Embedding Depth	30mm
Module Material	PC
Frame Material	Metal Piano
Module Color	Black

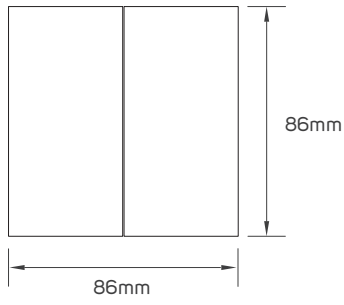
SPECIFICATIONS

Code No.	Model No.	Current Capacity	Dimensions
531337	1G-1W-SB2-Sw	250V~ 10AX	86x86x40mm
531338	1G-2W-SB2-Sw	250V~ 10AX	86x86x40mm
531339	2G-1W-SB2-Sw	250V~ 10AX	86x86x40mm
531340	2G-2W-SB2-Sw	250V~ 10AX	86x86x40mm
531341	3G-1W-SB2-Sw	250V~ 10AX	86x86x40mm
531342	4G-1W-SB2-Sw	250V~ 10AX	86x86x40mm
531345	1G-SAT-SB2-So	/	86x86x40mm
531346	1G-DATA-SB2-So	/	86x86x40mm
531347	1G-TEL-SB2-So	/	86x86x40mm
531348	2G-TEL+DATA-SB2-So	/	86x86x40mm
531349	Blank-SB2-Sw	/	86x86x40mm
531350	1G-200WLDIMM-SB2-Sw	250V~ 600W	86x86x40mm
531351	1G-25A-DP-SB2-Sw-N	250V~ 25A	86x86x40mm
531352	1G-45A-DP-SB2-Sw-N	250V~ 45A	86x86x40mm
531353	1G-BS-13A-DP-SB2-So-Sw	250V~ 13A	86x86x40mm
531354	2G-BS-13A-DP-SB2-So-Sw	250V~ 13A	146x86x40mm
531355	1G-300WSDIMM-SB2-Sw	250V~ 300W	86x86x40mm
531357	1G-VDIMM-SB2-Sw	250V~ 5W	86x86x40mm
531356	2G-USB-SB2-So	Input:100-240V,0.7A Output: 5VDC,3A 9VDC,2A 12VDC,1.5A	86x86x40mm
531358	2G-Shtr-SB2-Sw	250V~ 10AX	86x86x40mm
531343	1G-BEL-SB2-Sw	250V~ 10AX	86x86x40mm
531344	1G-SENS-SB2-Sw	220V~ 100W	86x86x40mm
531727	2G-2WM-SB2-Sw	250V~ 10AX	86x86x40mm
531728	3G-2W-SB2-Sw	250V~ 10AX	86x86x40mm
531729	4G-2W-SB2-Sw	250V~ 10AX	86x86x40mm

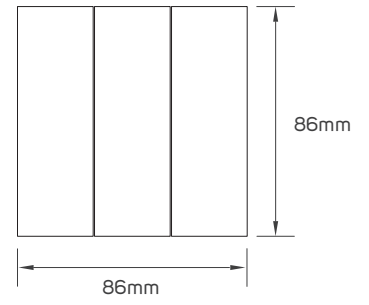
DIMENSIONS



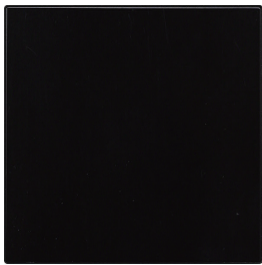
531337 - 531338



531339 - 531340 - 531727



531341 - 531728



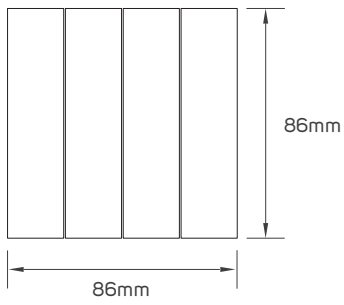
531337 - 531338



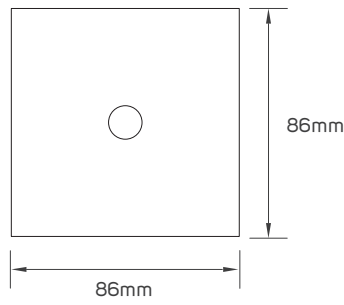
531339 - 531340 - 531727



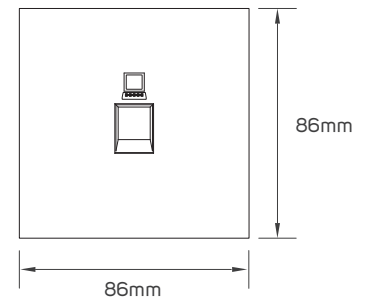
531341 - 531728



531342 - 531729



531345



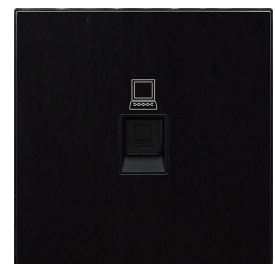
531346



531342 - 531729

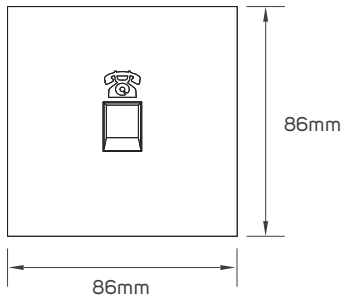


531345

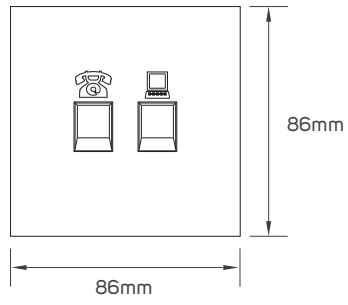


531346

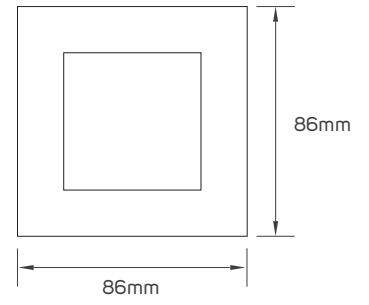
DIMENSIONS



531347



531348



531349



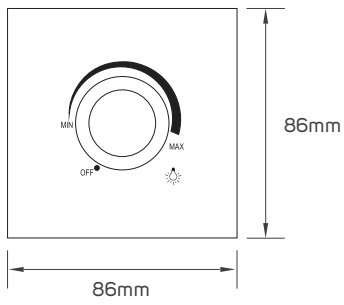
531347



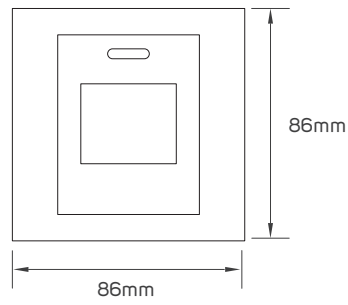
531348



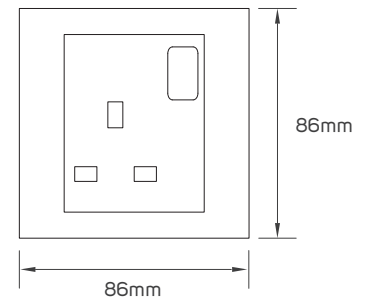
531349



531350



531351 - 531352



531353



531350

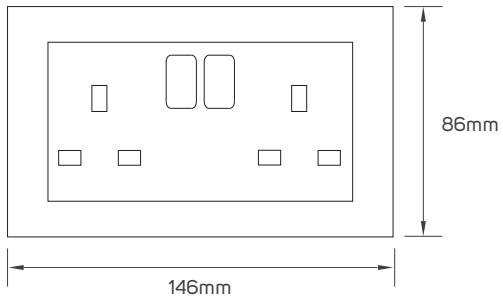


531351 - 531352

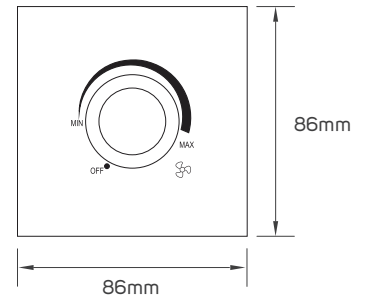


531353

DIMENSIONS



531354



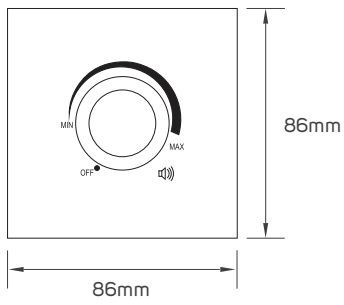
531355



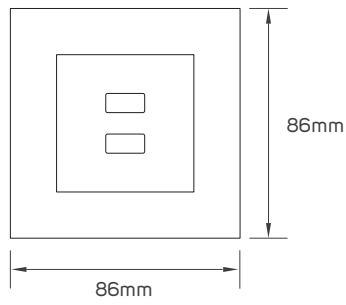
531354



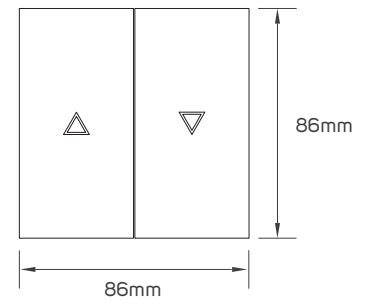
531355



531357



531356



531358



531357

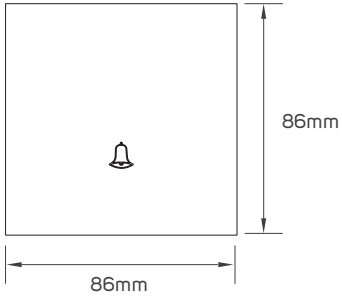


531356

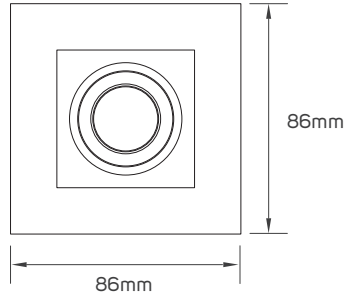


531358

DIMENSIONS



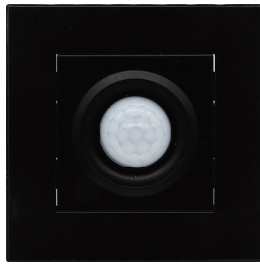
531343



531344



531343



531344

APPLICATION PICTURE



SWITCHES & SOCKETS D8A- STAINLESS STEEL, BLACK WITH OIL COLOR SERIES

ilict

Carrer de la Vall de la Ballestera, 64, 46015 València, Valencia, España, Tel: +34619824456

www.illusillumination.com

illus illumination reserve the right to make dimensional, design and technical alternations without prior notice. illus illumination endeavor to ensure that any advice, recommendation or information it provides in product literature is accurate and correct. However due to the fact that illus do not have direct control on where and how the products are installed, illus illumination cannot accept any liability either direct or indirect arising from the use of illus products whether or not in accordance with any advice, specification, recommendation or information provided by illus illumination or its distributors.

1192021V1