

**SWITCHES & SOCKETS
V7-TEMPERED GLASS & GOLDEN
MODULE SERIES**



AREAS OF APPLICATION



Hospitality



Shopping Center



Commercial



Educational Center

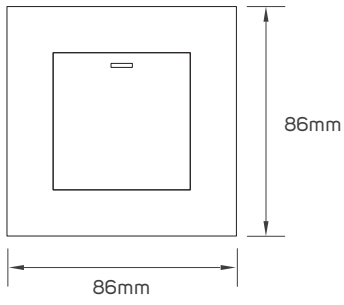
TECHNICAL OPERATING & ELECTRICAL DATA

Mounting Type	Recessed in Wall
Fixed or Adjustable	Fixed
Embedding Depth	30mm
Module Material	PC
Frame Material	Tempered Glass
Module Color	Golden
Frame Color	Light Brown

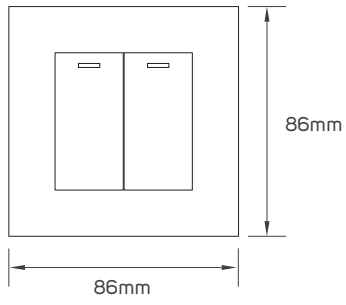
SPECIFICATIONS

Code No.	Model No.	Current Capacity	Dimensions
531138	1G-1W-GLB-Sw	250V~ 10AX	86x86x40mm
531139	1G-2W-GLB-Sw	250V~ 10AX	86x86x40mm
531140	2G-1W-GLB-Sw	250V~ 10AX	86x86x40mm
531141	2G-2W-GLB-Sw	250V~ 10AX	86x86x40mm
531142	3G-1W-GLB-Sw	250V~ 10AX	86x86x40mm
531287	4G-1W-GLB-Sw	250V~ 10AX	86x86x40mm
531143	1G-SAT-GLB-So	/	86x86x40mm
531144	1G-DATA-GLB-So	/	86x86x40mm
531145	1G-TEL-GLB-So	/	86x86x40mm
531147	2G-TEL+DATA-GLB-So	/	86x86x40mm
531148	Blank-GLB-Sw	/	86x86x40mm
531149	1G-200WLDIMM-GLB-Sw	250V~ 600W	86x86x40mm
531150	1G-25A-DP-GLB-Sw	250V~ 25A	86x86x40mm
531151	1G-45A-DP-GLB-Sw	250V~ 45A	86x86x40mm
531152	1G-BS-13A-DP-GLB-So-Sw	250V~ 13A	86x86x40mm
531295	2G-BS-13A-DP-GLB-So-Sw	250V~ 13A	146x86x40mm
531153	1G-300W-GLB-SDIMM	250V~ 300W	86x86x40mm
531155	2G-USB-GLB-So	250V~ 5W	86x86x40mm
531228	1G-VDIMM-GLB-Sw	Input:100-240V,0.7A Output: 5VDC,3A 9VDC,2A 12VDC,1.5A	86x86x40mm
531157	Shtr-GLB-Sw	250V~ 10AX	86x86x40mm
531327	1G-BEL-GLB-Sw	250V~ 10AX	86x86x40mm
531328	1G-SENS-GLB-Sw	220V~ 100W	86x86x40mm
531712	2G-2WM-GLB-Sw	250V~ 10AX	86x86x40mm
531713	3G-2W-GLB-Sw	250V~ 10AX	86x86x40mm
531714	4G-2W-GLB-Sw	250V~ 10AX	86x86x40mm

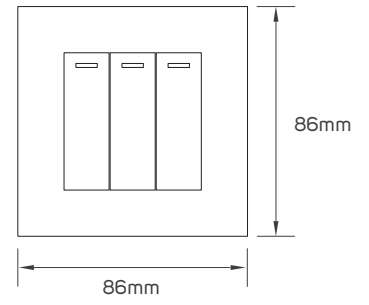
DIMENSIONS



531138 - 531139



531140 - 531141 - 531712



531142 - 531713



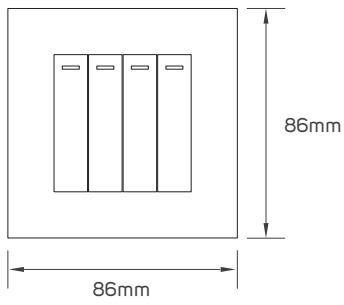
531138 - 531139



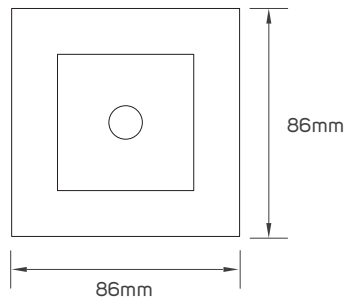
531140 - 531141 - 531712



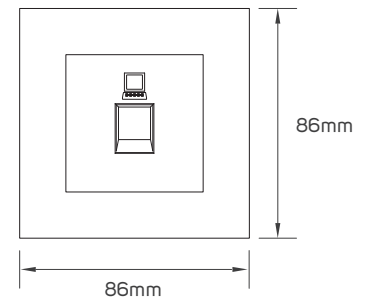
531142 - 531713



531287 - 531714



531143



531144



531287 - 531714

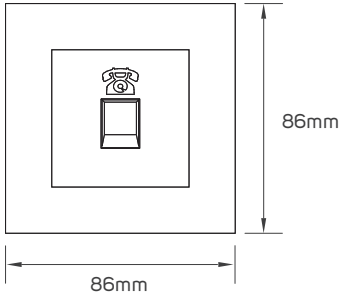


531143

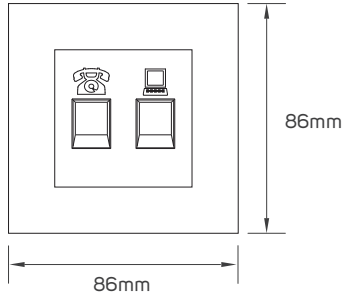


531144

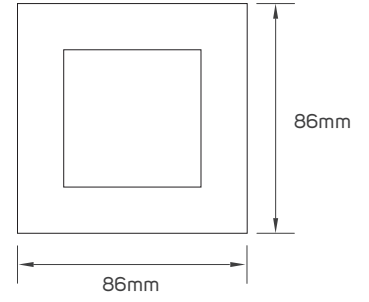
DIMENSIONS



531145



531147



531148



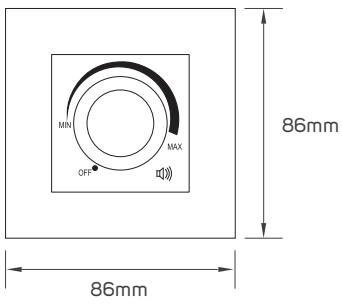
531145



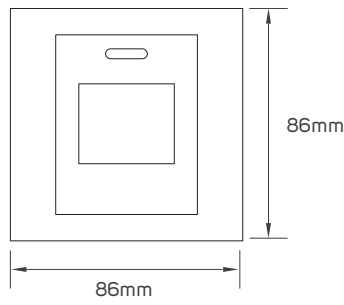
531147



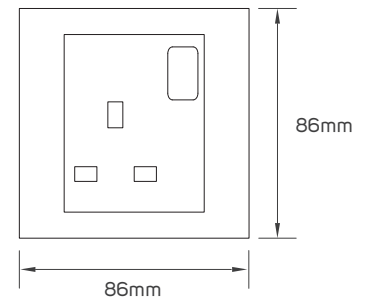
531148



531149



531150 - 531151



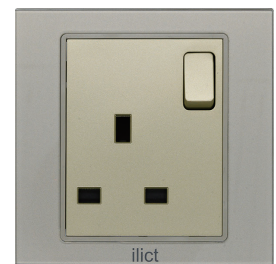
531152



531149

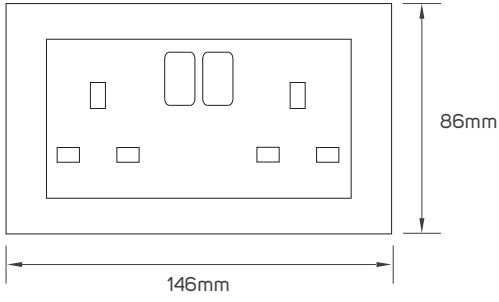


531150 - 531151

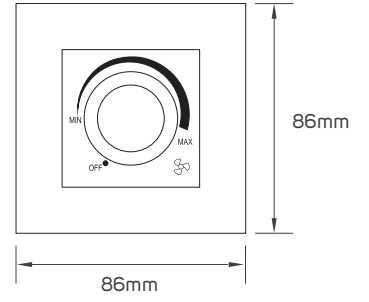


531152

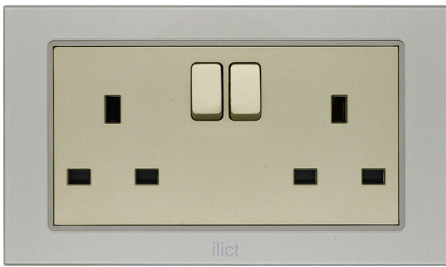
DIMENSIONS



531295



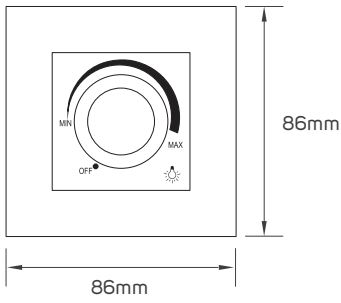
531153



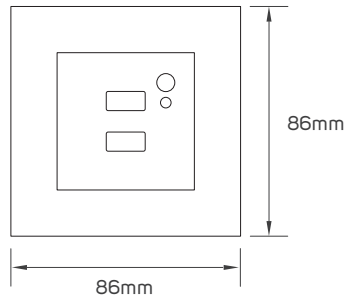
531295



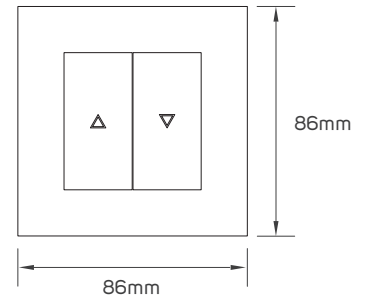
531153



531155



531128



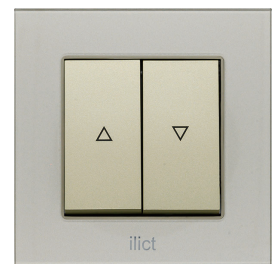
531157



531155

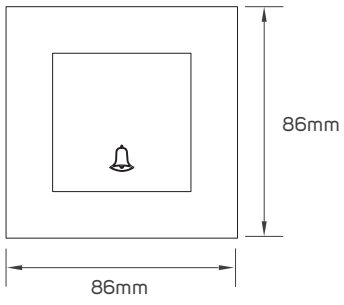


531128

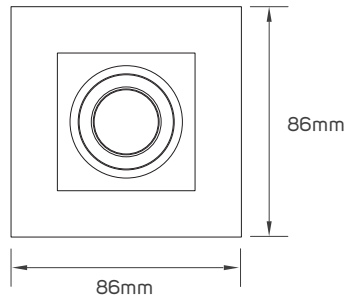


531157

DIMENSIONS



531327



531328



531327



531328



This image is for display purpose only, the image may differ from the actual product, as the product is subject to modification provided without prior notice.

SWITCHES & SOCKETS V7-TEMPERED GLASS & GOLDEN MODULE SERIES

