



SWITCHES & SOCKETS V7-TEMPERED GLASS & GREY MODULE SERIES



AREAS OF APPLICATION



Hospitality



Shopping Center



Commercial



Educational Center

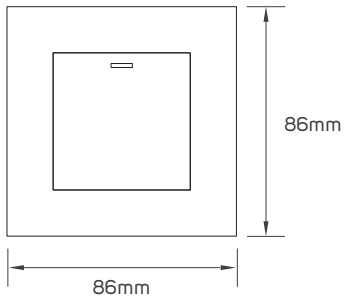
TECHNICAL OPERATING & ELECTRICAL DATA

Mounting Type	Recessed in Wall
Fixed or Adjustable	Fixed
Embedding Depth	30mm
Module Material	PC
Frame Material	Stainless Steel
Module Color	Light Brown
Frame Color	Grey

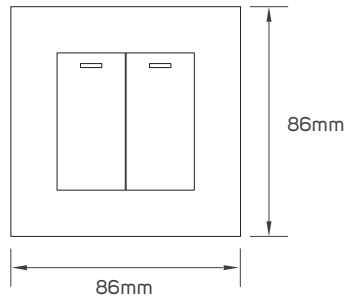
SPECIFICATIONS

Code No.	Model No.	Current Capacity	Dimensions
531184	1G-1W-SLB-Sw	250V~ 10AX	86x86x40mm
531185	1G-2W-SLB-Sw	250V~ 10AX	86x86x40mm
531186	2G-1W-SLB-Sw	250V~ 10AX	86x86x40mm
531187	2G-2W-SLB-Sw	250V~ 10AX	86x86x40mm
531188	3G-1W-SLB-Sw	250V~ 10AX	86x86x40mm
531284	4G-1W-SLB-Sw	250V~ 10AX	86x86x40mm
531189	1G-SAT-SLB-So	/	86x86x40mm
531190	1G-DATA-SLB-So	/	86x86x40mm
531191	1G-TEL-SLB-So	/	86x86x40mm
531193	2G-TEL+DATA-SLB-So	/	86x86x40mm
531194	Blank-SLB-Sw	/	86x86x40mm
531195	1G-200WLDIMM-SLB-Sw	250V~ 600W	86x86x40mm
531196	DP 1G-25A-SLB-Sw	250V~ 25A	86x86x40mm
531197	1G-45A-DP-SLB-Sw-N	250V~ 45A	86x86x40mm
531198	1G-BS-13A-DP-SLB-So-Sw	250V~ 13A	86x86x40mm
531292	2G-BS-13A-DP-SLB-So-Sw	250V~ 13A	146x86x40mm
531199	1G-300WSDIMM-SLB-Sw	250V~ 300W	86x86x40mm
531201	1G-VDIMM-SLB-Sw	250V~ 5W	86x86x40mm
531225	2G-USB-SLB-So	Input:100-240V,0.7A Output: 5VDC,3A 9VDC,2A 12VDC,1.5A	86x86x40mm
531203	2G-Shtr-SLB-Sw	250V~ 10AX	86x86x40mm
531321	1G-BEL-SLB-Sw	250V~ 10AX	86x86x40mm
531322	1G-SENS-SLB-Sw	220V~ 100W	86x86x40mm
531703	2G-2WM-SLB-Sw	250V~ 10AX	86x86x40mm
531704	3G-2W-SLB-Sw	250V~ 10AX	86x86x40mm
531705	4G-2W-SLB-Sw	250V~ 10AX	86x86x40mm

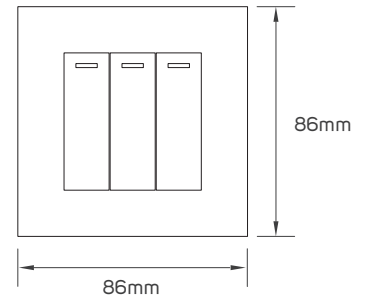
DIMENSIONS



531184 - 531185



531186 - 531187 - 531703



531188 - 531704



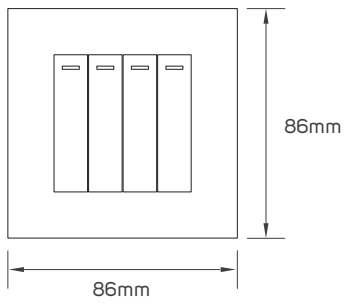
531184 - 531185



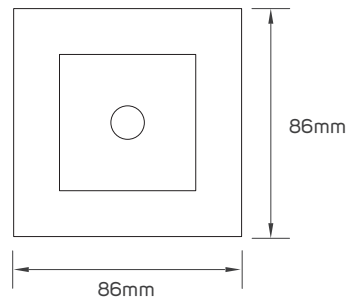
531186 - 531187 - 531703



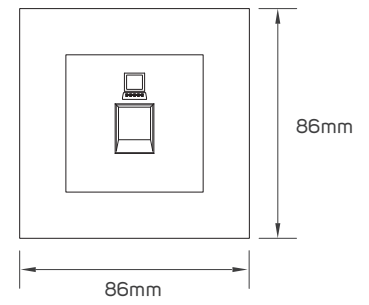
531188 - 531704



531284 - 531705



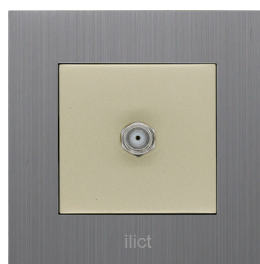
531189



531190



531284 - 531705

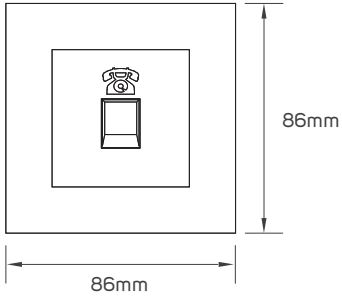


531189

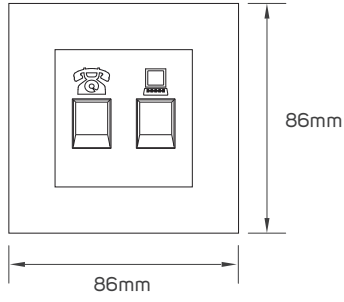


531190

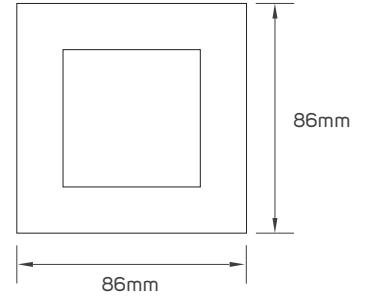
DIMENSIONS



531191



531193



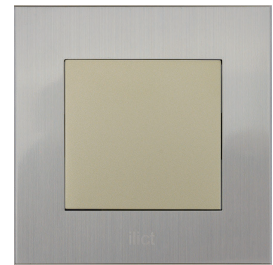
531194



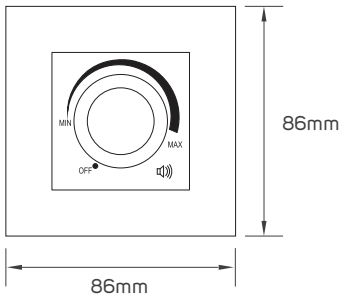
531191



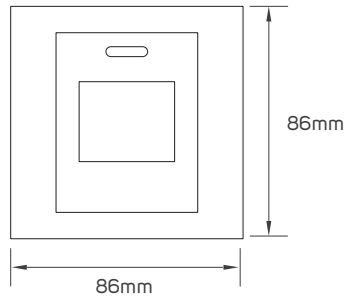
531193



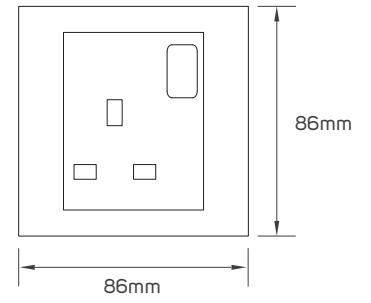
531194



531195



531196 - 531197



531198



531195

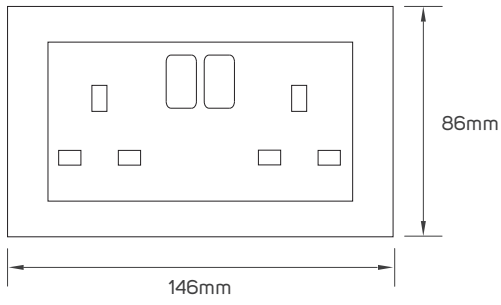


531196 - 531197

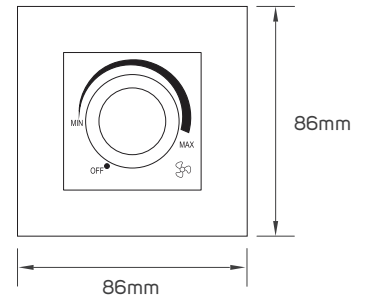


531198

DIMENSIONS



531292



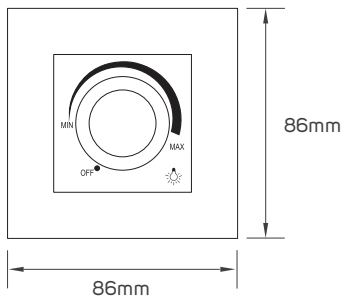
531199



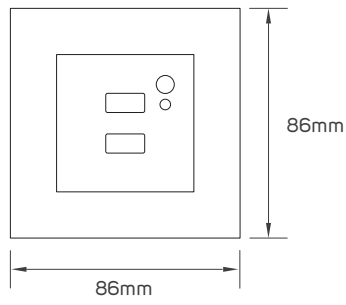
531292



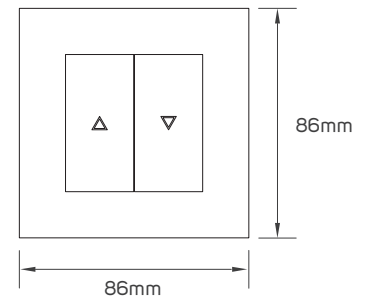
531199



531201



531225



531203



531201

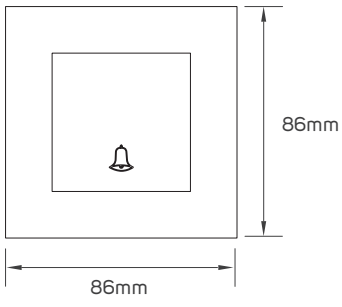


531225

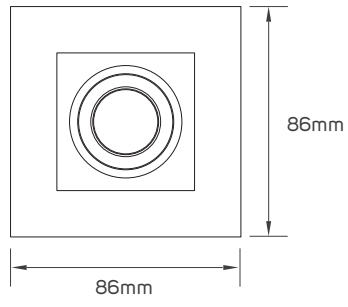


531203

DIMENSIONS



531321



531322



531321



531322

APPLICATION PICTURE



SWITCHES & SOCKETS V7-TEMPERED GLASS & GREY MODULE SERIES

ilict