

**SWITCHES & SOCKETS
D8A- STAINLESS STEEL, GOLD
WITH OIL COLOR SERIES**



AREAS OF APPLICATION



Hospitality



Shopping Center



Commercial



Educational Center

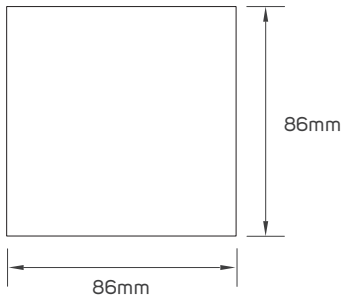
TECHNICAL OPERATING & ELECTRICAL DATA

Mounting Type	Recessed in Wall
Fixed or Adjustable	Fixed
Embedding Depth	30mm
Module Material	PC
Frame Material	Metal Piano
Module Color	Golden
Frame Color	Golden

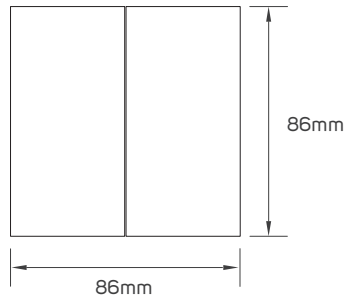
SPECIFICATIONS

Code No.	Model No.	Current Capacity	Dimensions
531381	1G-1W-SG2-Sw	250V~ 10AX	86x86x40mm
531382	1G-2W-SG2-Sw	250V~ 10AX	86x86x40mm
531383	2G-1W-SG2-Sw	250V~ 10AX	86x86x40mm
531384	2G-2W-SG2-Sw	250V~ 10AX	86x86x40mm
531385	3G-1W-SG2-Sw	250V~ 10AX	86x86x40mm
531386	4G-1W-SG2-Sw	250V~ 10AX	86x86x40mm
531389	1G-SAT-SG2-So	/	86x86x40mm
531390	1G-DATA-SG2-So	/	86x86x40mm
531391	1G-TEL-SG2-So	/	86x86x40mm
531392	2G-TEL+DATA-SG2-So	/	86x86x40mm
531393	Blank-SG2-Sw	/	86x86x40mm
531394	1G-200WLDIMM-SG2-Sw	250V~ 600W	86x86x40mm
531395	1G-25A-DP-SG2-Sw-N	250V~ 25A	86x86x40mm
531396	1G-45A-DP-SG2-Sw-N	250V~ 45A	86x86x40mm
531397	1G-BS-13A-DP-SG2-So-Sw	250V~ 13A	86x86x40mm
531398	2G-BS-13A-DP-SG2-So-Sw	250V~ 13A	146x86x40mm
531399	1G-300WSDIMM-SG2-Sw	250V~ 300W	86x86x40mm
531401	1G-VDIMM-SG2-Sw	250V~ 5W	86x86x40mm
531400	2G-USB-SG2-So	Input:100-240V,0.7A Output: 5VDC,3A 9VDC,2A 12VDC,1.5A	86x86x40mm
531402	2G-Shtr-SG2-Sw	250V~ 10AX	86x86x40mm
531733	2G-2WM-SG2-Sw	250V~ 10AX	86x86x40mm
531734	3G-2W-SG2-Sw	220V~ 100W	86x86x40mm
531735	4G-2W-SG2-Sw	250V~ 10AX	86x86x40mm
531387	1G-BEL-SG2-Sw	250V~ 10AX	86x86x40mm
531388	1G-SENS-SG2-Sw	250V~ 10AX	86x86x40mm

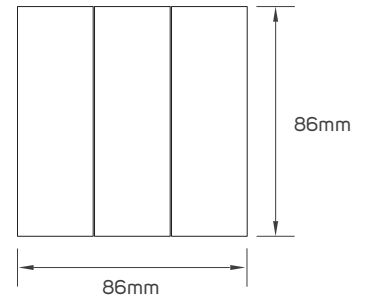
DIMENSIONS



531381 - 531382



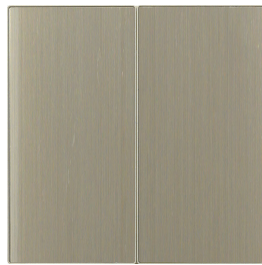
531383 - 531384 - 531733



531385 - 531734



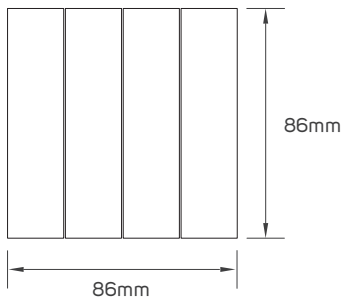
531381 - 531382



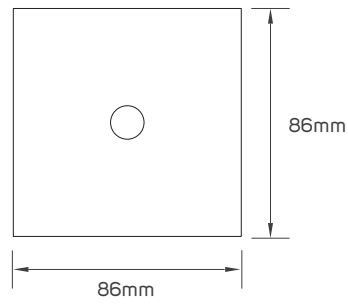
531383 - 531384 - 531733



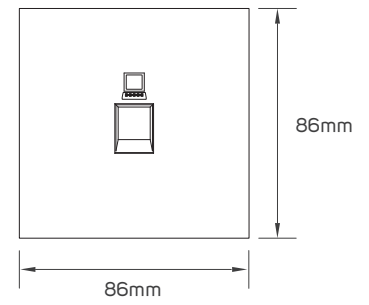
531385 - 531734



531386 - 531735



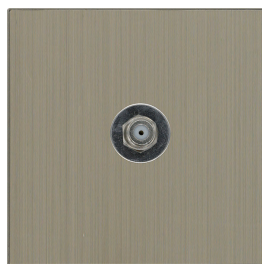
531389



531390



531386 - 531735

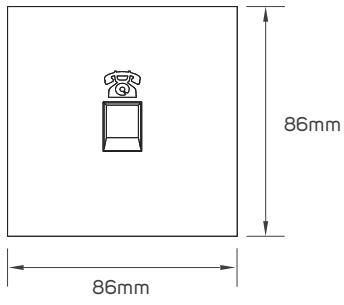


531389

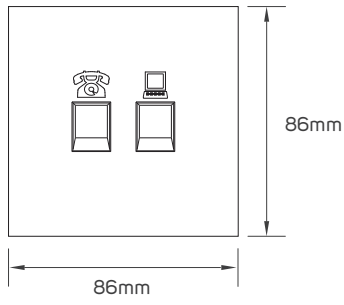


531390

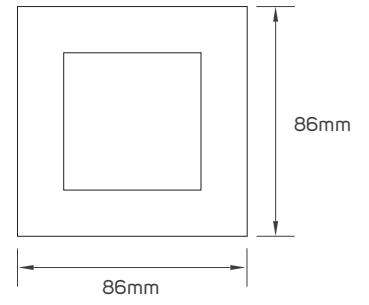
DIMENSIONS



531391



531392



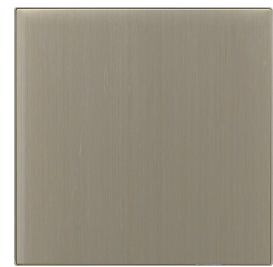
531393



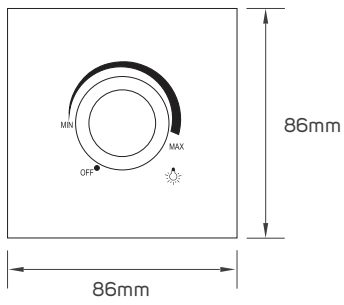
531391



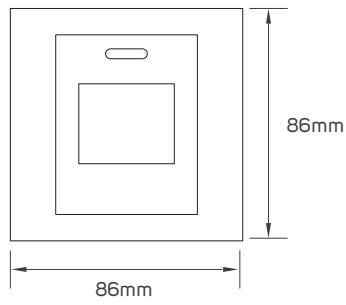
531392



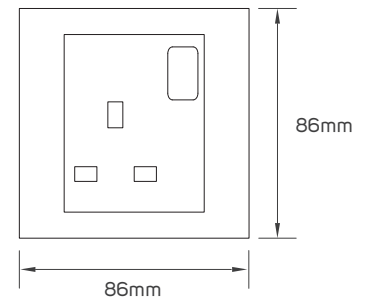
531393



531394



531395 - 531396



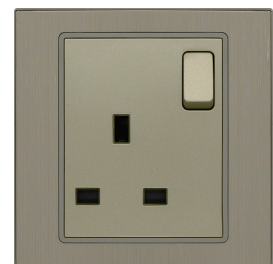
531397



531394

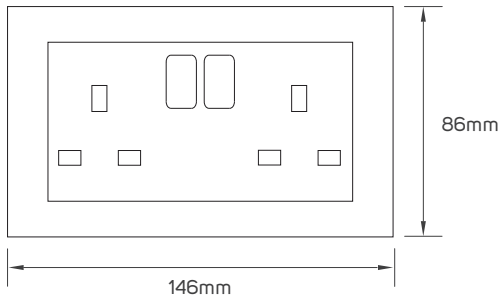


531395 - 531396

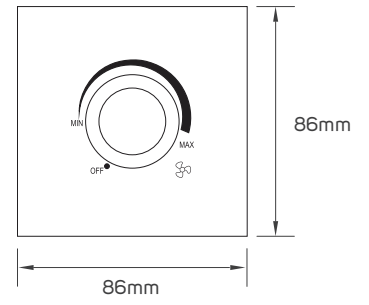


531397

DIMENSIONS



531398



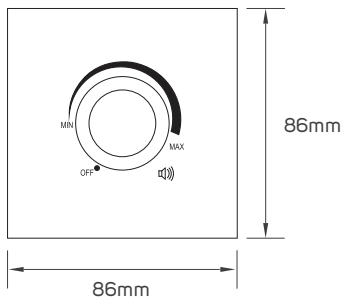
531399



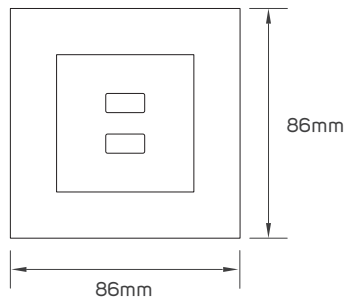
531398



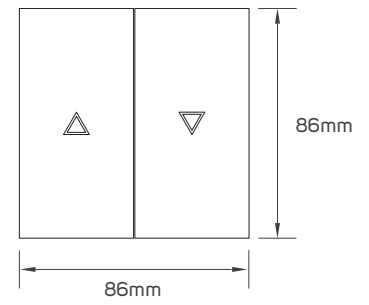
531399



531401



531400



531402



531401

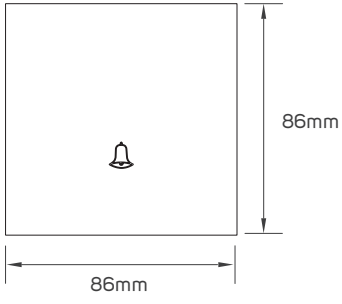


531400

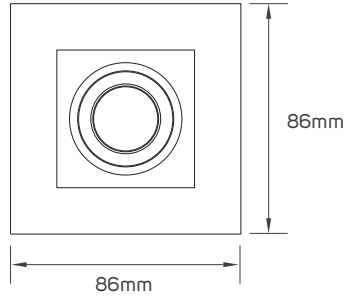


531402

DIMENSIONS



531387



531388



531387



531388



**SWITCHES & SOCKETS
D8A- STAINLESS STEEL, GOLD
WITH OIL COLOR SERIES**

