

**SWITCHES & SOCKETS
ALUMINUM, CHAMPAGNE WITH OIL COLOR
(METAL PIANO) SERIES**



AREAS OF APPLICATION



Hospitality



Shopping Center



Commercial



Educational Center

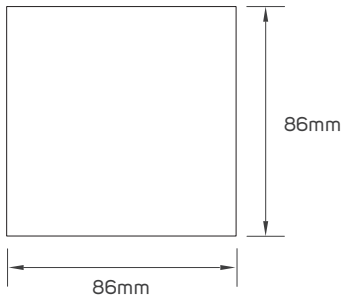
TECHNICAL OPERATING & ELECTRICAL DATA

Mounting Type	Recessed in Wall
Fixed or Adjustable	Fixed
Embedding Depth	30mm
Module Material	PC
Frame Material	Metal Piano
Module Color	Light Brown

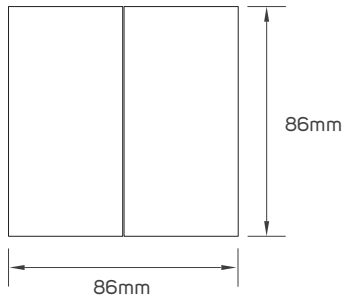
SPECIFICATIONS

Code No.	Model No.	Current Capacity	Dimensions
531403	1G-1W-ALB2-Sw	250V~ 10AX	86x86x40mm
531404	1G-2W-ALB2-Sw	250V~ 10AX	86x86x40mm
531405	2G-1W-ALB2-Sw	250V~ 10AX	86x86x40mm
531406	2G-2W-ALB2-Sw	250V~ 10AX	86x86x40mm
531407	3G-1W-ALB2-Sw	250V~ 10AX	86x86x40mm
531408	4G-1W-ALB2-Sw	250V~ 10AX	86x86x40mm
531411	1G-SAT-ALB2-So	/	86x86x40mm
531412	1G-DATA-ALB2-So	/	86x86x40mm
531413	1G-TEL-ALB2-So	/	86x86x40mm
531414	2G-TEL+DATA-ALB2-So	/	86x86x40mm
531415	Blank-ALB2-Sw	/	86x86x40mm
531416	1G-200WLDIMM-ALB2-Sw	250V~ 600W	86x86x40mm
531417	1G-25A-DP-ALB2-Sw-N	250V~ 25A	86x86x40mm
531418	1G-45A-DP-ALB2-Sw-N	250V~ 45A	86x86x40mm
531419	1G-BS-13A-DP-ALB2-So-Sw	250V~ 13A	86x86x40mm
531420	2G-BS-13A-DP-ALB2-So-Sw	250V~ 13A	146x86x40mm
531421	1G-300WSDIMM-ALB2-Sw	250V~ 300W	86x86x40mm
531423	1G-VDIMM-ALB2-Sw	250V~ 5W	86x86x40mm
531422	2G-USB-ALB2-So	Input:100-240V,0.7A Output: 5VDC,3A 9VDC,2A 12VDC,1.5A	86x86x40mm
531424	2G-Shtr-ALB2-Sw	250V~ 10AX	86x86x40mm
531736	2G-2WM-ALB2-Sw	250V~ 10AX	86x86x40mm
531737	3G-2W-ALB2-Sw	220V~ 100W	86x86x40mm
531738	4G-2W-ALB2-Sw	250V~ 10AX	86x86x40mm
531409	1G-BEL-ALB2-Sw	250V~ 10AX	86x86x40mm
531410	1G-SENS-ALB2-Sw	250V~ 10AX	86x86x40mm

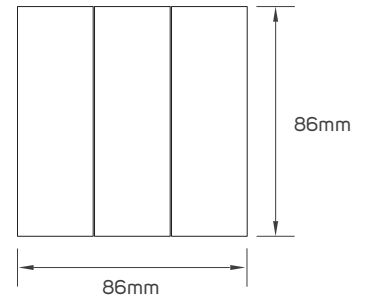
DIMENSIONS



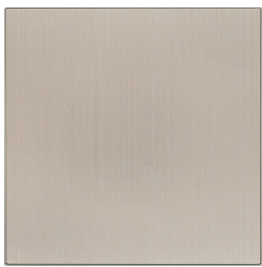
531403 - 531404



531405 - 531406 - 531736



531407 - 531737



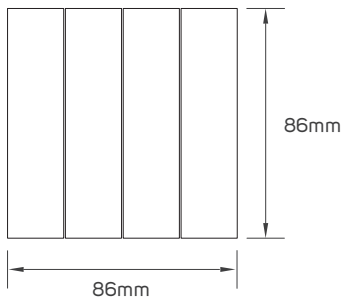
531403 - 531404



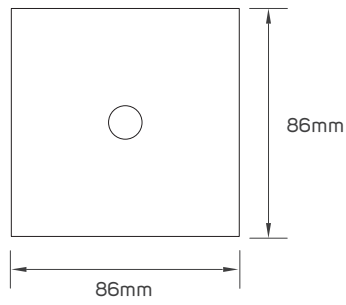
531405 - 531406 - 531736



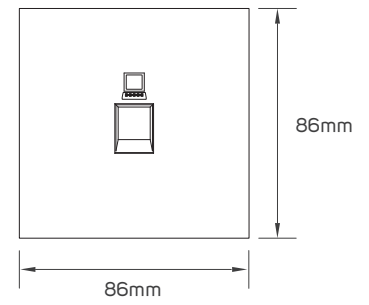
531407 - 531737



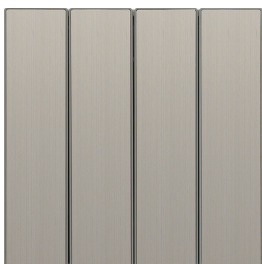
531408 - 531738



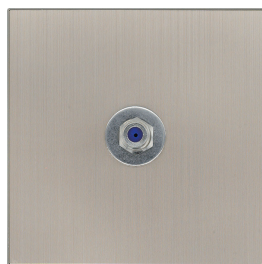
531411



531412



531408 - 531738

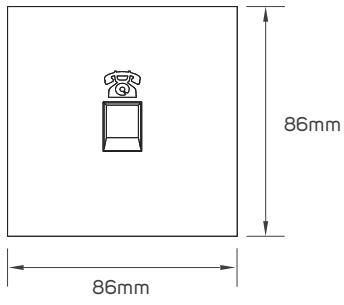


531411

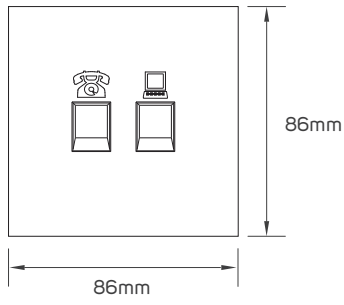


531412

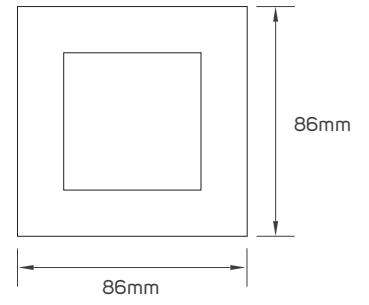
DIMENSIONS



531413



531414



531415



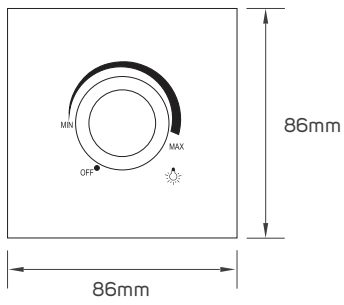
531413



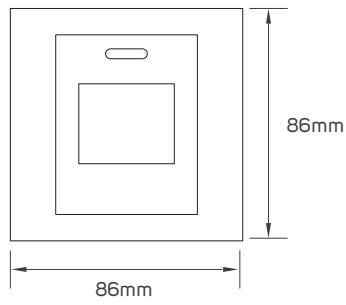
531414



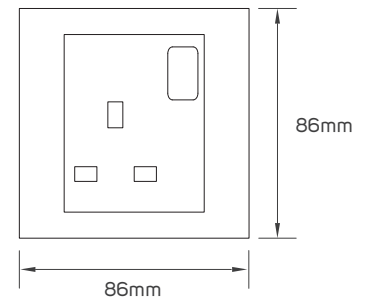
531415



531416



531417 - 531418



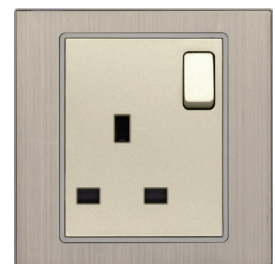
531419



531416

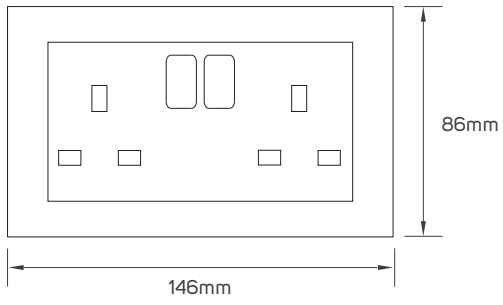


531417 - 531418

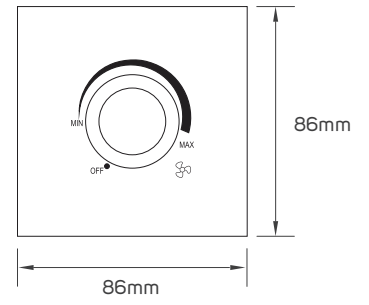


531419

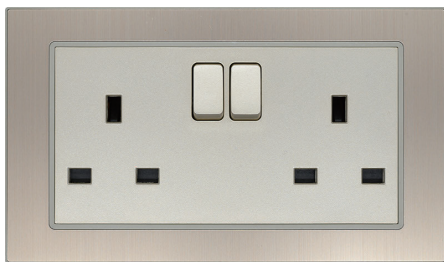
DIMENSIONS



531420



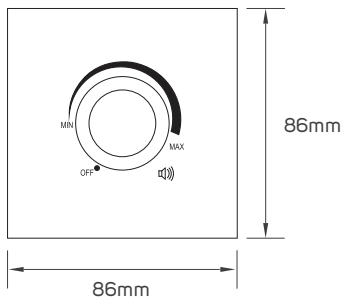
531421



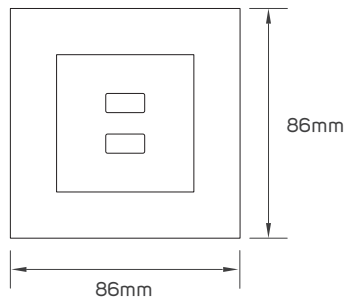
531420



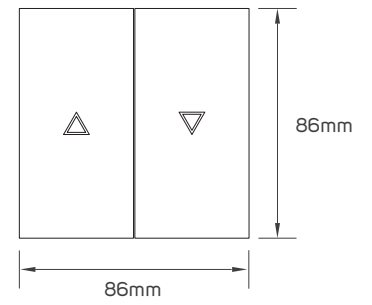
531421



531423



531422



531424



531423

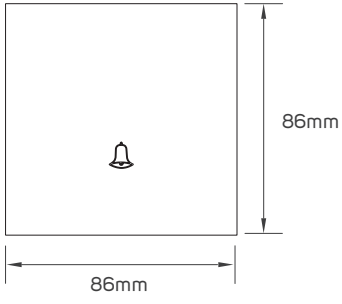


531422

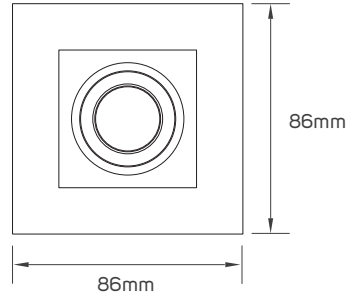


531424

| DIMENSIONS



531409



531410



531409



531410

APPLICATION PICTURE



SWITCHES & SOCKETS ALUMINUM, CHAMPAGNE WITH OIL COLOR (METAL PIANO) SERIES

ilict

Carrer de la Vall de la Ballestera, 64, 46015 València, Valencia, España, Tel: +34619824456

www.illusillumination.com

illus illumination reserve the right to make dimensional, design and technical alternations without prior notice. illus illumination endeavor to ensure that any advice, recommendation or information it provides in product literature is accurate and correct. However due to the fact that illus do not have direct control on where and how the products are installed, illus illumination cannot accept any liability either direct or indirect arising from the use of illus products whether or not in accordance with any advice, specification, recommendation or information provided by illus illumination or its distributors.