



SWITCHES & SOCKETS



AREAS OF APPLICATION



Hospitality



Shopping Center



Commercial



Educational Center

TECHNICAL OPERATING & ELECTRICAL DATA

Mounting Type	Recessed in Wall
Fixed or Adjustable	Fixed
Embedding Depth	22mm
Module Material	PC/Red Copper/AgCdO
Frame Material	Cold-roll Steel Sheets
Contacts Material	Cold-roll Steel Sheets/Brass
Current Capacity	250V~16AX
Module Color	White
Frame Color	Grey

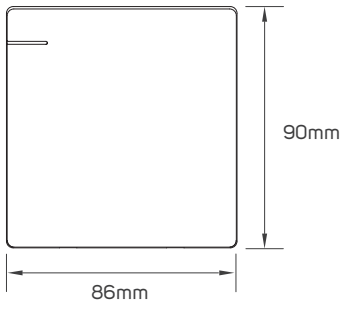
SPECIFICATIONS

Code No.	Model No.	Body Color	Dimensions
532000	1G-1W-2PW-Sw	white	86x90x15mm
532001	1G-1W-2PG-Sw	gold	86x90x15mm
532002	1G-1W-2PGR-Sw	grey	86x90x15mm
532003	1G-1W-2PB-Sw	black	86x90x15mm
532004	1G-2W-2PW-Sw	white	86x90x15mm
532005	1G-2W-2PG-Sw	gold	86x90x15mm
532006	1G-2W-2PGR-Sw	grey	86x90x15mm
532007	1G-2W-2PB-Sw	black	86x90x15mm
532008	1G-2WM-2PW-Sw	white	86x90x15mm
532009	1G-2WM-2PG-Sw	gold	86x90x15mm
532010	1G-2WM-2PGR-Sw	grey	86x90x15mm
532011	1G-2WM-2PB-Sw	black	86x90x15mm
532012	2G-2WM-2PW-Sw	white	86x90x15mm
532013	2G-2WM-2PG-Sw	gold	86x90x15mm
532014	2G-2WM-2PGR-Sw	grey	86x90x15mm
532015	2G-2WM-2PB-Sw	black	86x90x15mm
532016	2G-1W-2PW-Sw	white	86x90x15mm
532017	2G-1W-2PG-Sw	gold	86x90x15mm
532018	2G-1W-2PGR-Sw	grey	86x90x15mm
532019	2G-1W-2PB-Sw	black	86x90x15mm

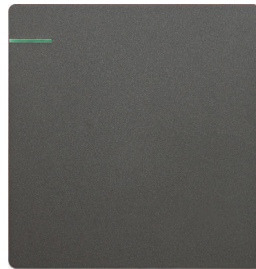
SPECIFICATIONS

Code No.	Model No.	Body Color	Dimensions
532020	2G-2W-2PW-Sw	white	86x90x15mm
532021	2G-2W-2PG-Sw	gold	86x90x15mm
532022	2G-2W-2PGR-Sw	grey	86x90x15mm
532023	2G-2W-2PB-Sw	black	86x90x15mm
532024	3G-1W-2PW-Sw	white	86x90x15mm
532025	3G-1W-2PG-Sw	gold	86x90x15mm
532026	3G-1W-2PGR-Sw	grey	86x90x15mm
532027	3G-1W-2PB-Sw	black	86x90x15mm
532028	3G-2W-2PW-Sw	white	86x90x15mm
532029	3G-2W-2PG-Sw	gold	86x90x15mm
532030	3G-2W-2PGR-Sw	grey	86x90x15mm
532031	3G-2W-2PB-Sw	black	86x90x15mm
532032	4G-1W-2PW-Sw	white	86x90x15mm
532033	4G-1W-2PG-Sw	gold	86x90x15mm
532034	4G-1W-2PGR-Sw	grey	86x90x15mm
532035	4G-1W-2PB-Sw	black	86x90x15mm
532036	4G-2W-2PW-Sw	white	86x90x15mm
532037	4G-2W-2PG-Sw	gold	86x90x15mm
532038	4G-2W-2PGR-Sw	grey	86x90x15mm
532039	4G-2W-2PB-Sw	black	86x90x15mm

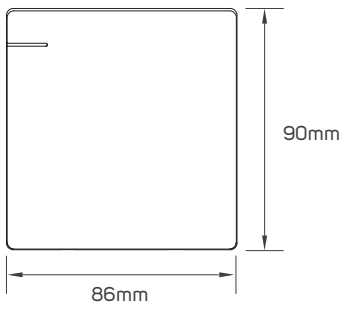
DIMENSIONS



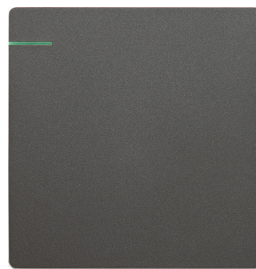
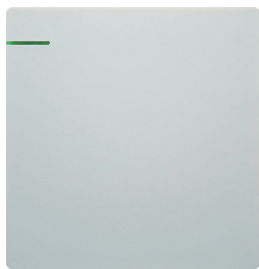
532000 - 532001 - 532002 - 532003



532000 - 532001 - 532002 - 532003

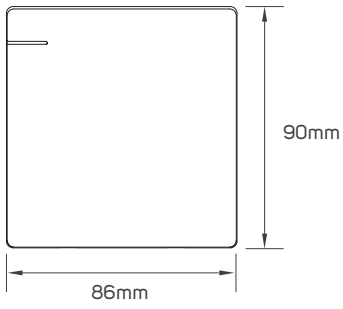


532004 - 532005 - 532006 - 532007

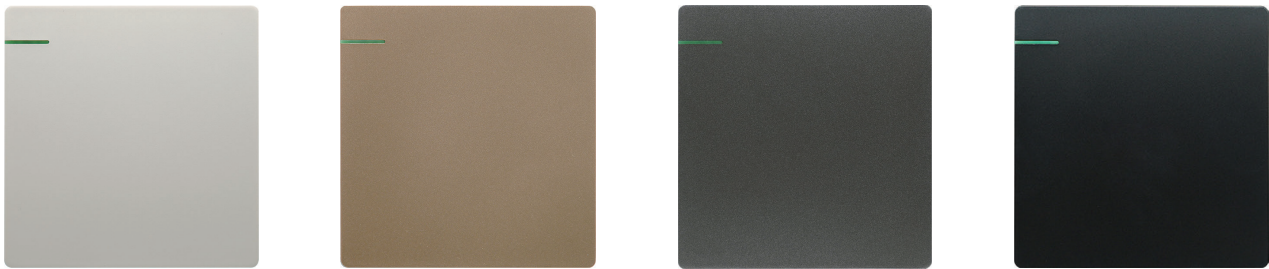


532004 - 532005 - 532006 - 532007

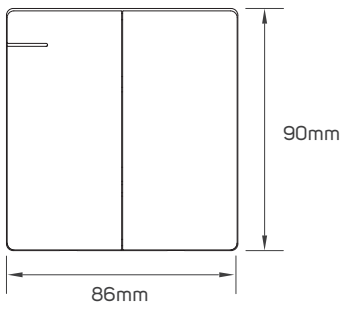
DIMENSIONS



532008 - 532009 - 532010 - 532011



532008 - 532009 - 532010 - 532011

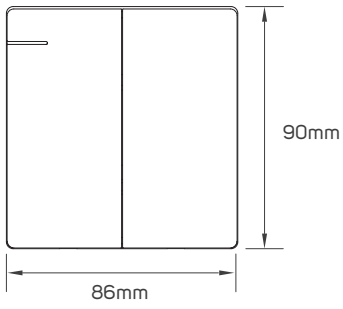


532012 - 532013 - 532014 - 532015



532012 - 532013 - 532014 - 532015

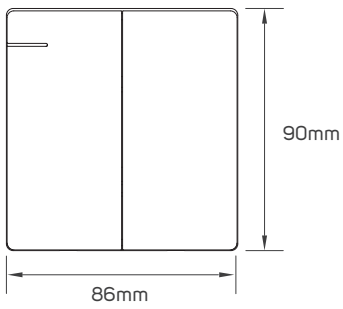
DIMENSIONS



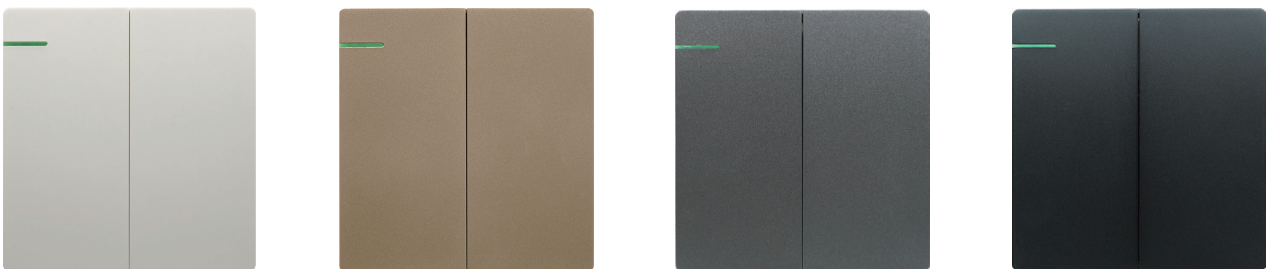
532016 - 532017 - 532018 - 532019



532016 - 532017 - 532018 - 532019

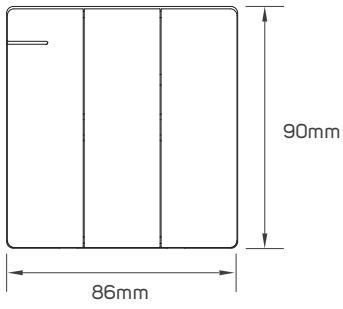


532020 - 532021 - 532022 - 532023



532020 - 532021 - 532022 - 532023

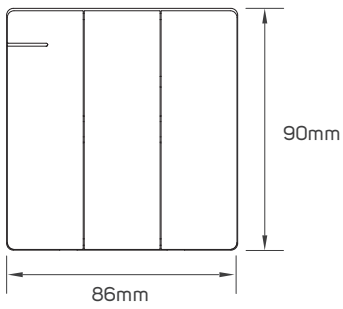
DIMENSIONS



532024 - 532025 - 532026 - 532027



532024 - 532025 - 532026 - 532027

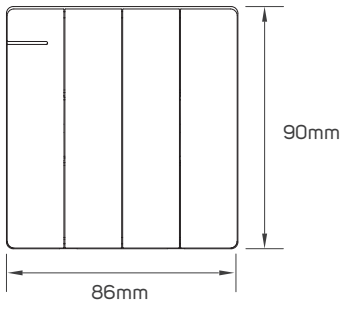


532028 - 532029 - 532030 - 532031



532028 - 532029 - 532030 - 532031

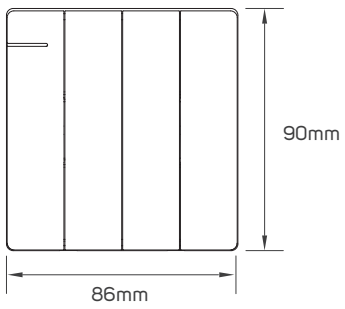
DIMENSIONS



532032 - 532033 - 532034 - 532035



532032 - 532033 - 532034 - 532035

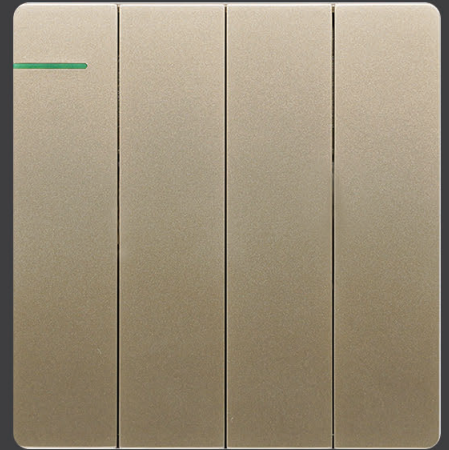


532036 - 532037 - 532038 - 532039



532036 - 532037 - 532038 - 532039

APPLICATION PICTURE



SWITCHES & SOCKETS



Carrer de la Vall de la Ballestera, 64, 46015 València, Valencia, España, Tel: +34619824456

www.illusillumination.com

illus illumination reserve the right to make dimensional, design and technical alternations without prior notice. illus illumination endeavor to ensure that any advice, recommendation or information it provides in product literature is accurate and correct. However due to the fact that illus do not have direct control on where and how the products are installed, illus illumination cannot accept any liability either direct or indirect arising from the use of illus products whether or not in accordance with any advice, specification, recommendation or information provided by illus illumination or its distributors.