

SWITCHES & SOCKETS

ilict

AREAS OF APPLICATION



Hospitality



Shopping Center



Commercial



Educational Center

TECHNICAL OPERATING & ELECTRICAL DATA

Mounting Type	Recessed in Wall
Fixed or Adjustable	Fixed
Embedding Depth	22mm
Frame Material	Cold-roll Steel Sheets
Current Capacity	250V~16AX
Module Color	White
Frame Color	Grey

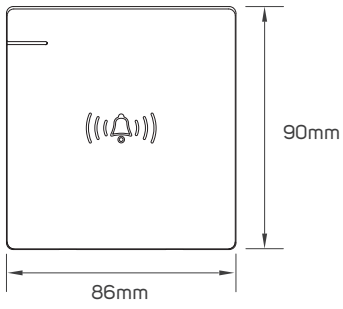
SPECIFICATIONS

Code No.	Model No.	Module Material	Contacts Material	Body Color	Dimensions
532040	1G-BEL-2PW-Sw	PC/red copper/AgCdO	Cold- roll steel sheets/Brass	white	86x90x15mm
532041	1G-BEL-2PG-Sw	PC/red copper/AgCdO	Cold- roll steel sheets/Brass	gold	86x90x15mm
532042	1G-BEL-2PGR-Sw	PC/red copper/AgCdO	Cold- roll steel sheets/Brass	grey	86x90x15mm
532043	1G-BEL-2PB-Sw	PC/red copper/AgCdO	Cold- roll steel sheets/Brass	black	86x90x15mm
532044	1G-TV-2PW-So	PC/Brass	/	white	86x90x15mm
532045	1G-TV-2PG-So	PC/Brass	/	gold	86x90x15mm
532046	1G-TV-2PGR-So	PC/Brass	/	grey	86x90x15mm
532047	1G-TV-2PB-So	PC/Brass	/	black	86x90x15mm
532048	1G-DATA-2PW-So	PC/Brass	/	white	86x90x15mm
532049	1G-DATA-2PG-So	PC/Brass	/	gold	86x90x15mm
532050	1G-DATA-2PGR-So	PC/Brass	/	grey	86x90x15mm
532051	1G-DATA-2PB-So	PC/Brass	/	black	86x90x15mm
532052	1G-TEL-2PW-So	PC/Brass	/	white	86x90x15mm
532053	1G-TEL-2PG-So	PC/Brass	/	gold	86x90x15mm
532054	1G-TEL-2PGR-So	PC/Brass	/	grey	86x90x15mm
532055	1G-TEL-2PB-So	PC/Brass	/	black	86x90x15mm
532056	2G-TEL+DATA-2PW-So	PC/Brass	/	white	86x90x15mm
532057	2G-TEL+DATA-2PG-So	PC/Brass	/	gold	86x90x15mm
532058	2G-TEL+DATA-2PGR-So	PC/Brass	/	grey	86x90x15mm
532059	2G-TEL+DATA-2PB-So	PC/Brass	/	black	86x90x15mm

SPECIFICATIONS

Code No.	Model No.	Module Material	Contacts Material	Body Color	Dimensions
532060	Blank-2PW-Sw	PC	/	white	86x90x15mm
532061	Blank-2PG-Sw	PC	/	gold	86x90x15mm
532062	Blank-2PGR-Sw	PC	/	grey	86x90x15mm
532063	Blank-2PB-Sw	PC	/	black	86x90x15mm
532064	1G-100WLDIMM-2PW-Sw	PC/PCB electrical parts	/	white	86x90x15mm
532065	1G-100WLDIMM-2PG-Sw	PC/PCB electrical parts	/	gold	86x90x15mm
532066	1G-100WLDIMM-2PGR-Sw	PC/PCB electrical parts	/	grey	86x90x15mm
532067	1G-100WLDIMM-2PB-Sw	PC/PCB electrical parts	/	black	86x90x15mm
532068	DP 1G-32A-2PW-Sw	PC/Brass/AgCdO	Brass	white	86x90x15mm
532069	DP 1G-32A-2PG-Sw	PC/Brass/AgCdO	Brass	gold	86x90x15mm
532070	DP 1G-32A-2PGR-Sw	PC/Brass/AgCdO	Brass	grey	86x90x15mm
532071	DP 1G-32A-2PB-Sw	PC/Brass/AgCdO	Brass	black	86x90x15mm
532072	DP 1G-45A-2PW-Sw	PC/Brass/AgCdO	Brass	white	86x90x15mm
532073	DP 1G-45A-2PG-Sw	PC/Brass/AgCdO	Brass	gold	86x90x15mm
532074	DP 1G-45A-2PGR-Sw	PC/Brass/AgCdO	Brass	grey	86x90x15mm
532075	DP 1G-45A-2PB-Sw	PC/Brass/AgCdO	Brass	black	86x90x15mm

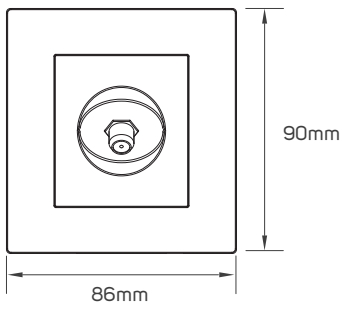
DIMENSIONS



532040 - 532041 - 532042 - 532043



532040 - 532041 - 532042 - 532043

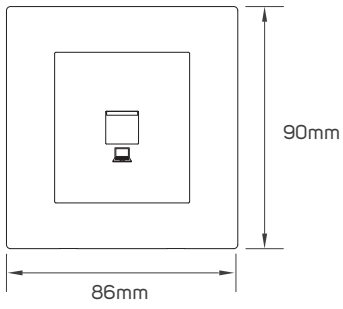


532044 - 532045 - 532046 - 532047

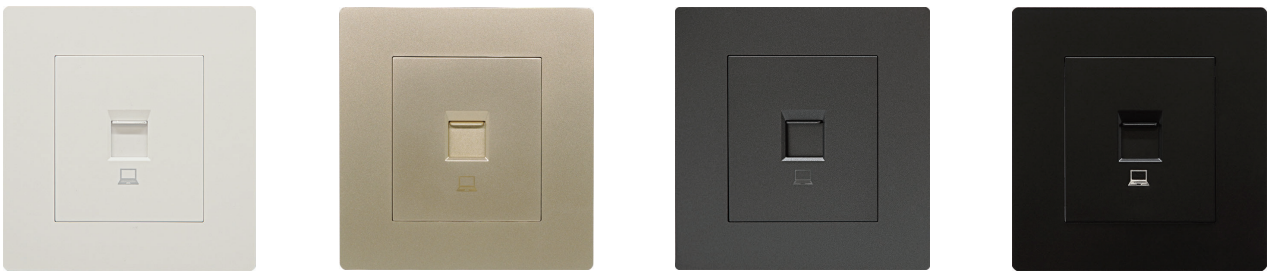


532044 - 532045 - 532046 - 532047

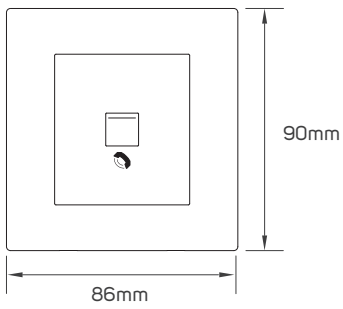
DIMENSIONS



532048 - 532049 - 532050 - 532051



532048 - 532049 - 532050 - 532051

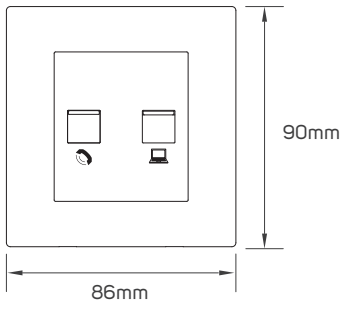


532052 - 532053 - 532054 - 532055



532052 - 532053 - 532054 - 532055

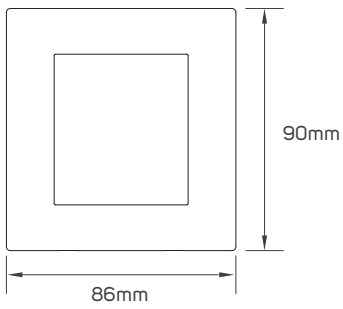
DIMENSIONS



532056 - 532057 - 532058 - 532059



532056 - 532057 - 532058 - 532059

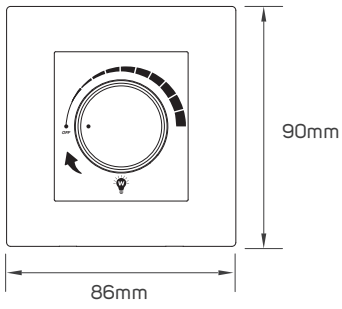


532060 - 532061 - 532062 - 532063



532060 - 532061 - 532062 - 532063

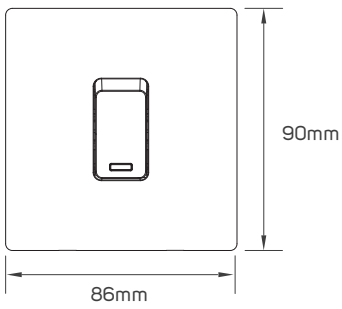
DIMENSIONS



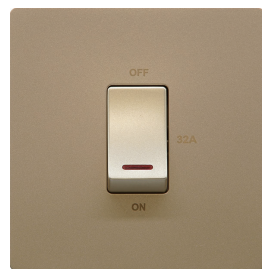
532064 - 532065 - 532066 - 532067



532064 - 532065 - 532066 - 532067

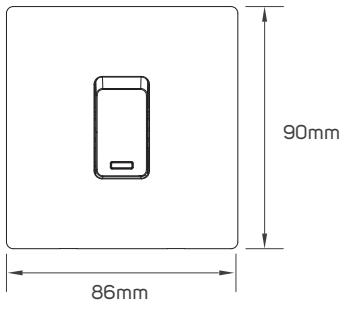


532068 - 532069 - 532070 - 532071



532068 - 532069 - 532070 - 532071

DIMENSIONS



532072 - 532073 - 532074 - 532075



532072 - 532073 - 532074 - 532075

APPLICATION PICTURE



SWITCHES & SOCKETS

ilict

Carrer de la Vall de la Ballestera, 64, 46015 València, Valencia, España, Tel: +34619824456

www.illusillumination.com

illus illumination reserve the right to make dimensional, design and technical alternations without prior notice. illus illumination endeavor to ensure that any advice, recommendation or information it provides in product literature is accurate and correct. However due to the fact that illus do not have direct control on where and how the products are installed, illus illumination cannot accept any liability either direct or indirect arising from the use of illus products whether or not in accordance with any advice, specification, recommendation or information provided by illus illumination or its distributors.

11192021V1