

# SWITCHES & SOCKETS



## AREAS OF APPLICATION



Hospitality



Shopping Center



Commercial



Educational Center

## TECHNICAL OPERATING & ELECTRICAL DATA

Mounting Type	Recessed in Wall
Fixed or Adjustable	Fixed
Embedding Depth	22mm
Frame Material	Cold-roll Steel Sheets
Contacts Material	Cold-roll Steel Sheets/Brass
Module Color	White
Frame Color	Grey

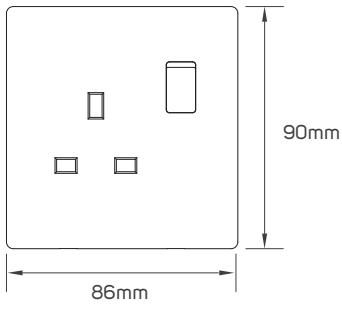
## SPECIFICATIONS

Code No.	Model No.	Module Material
532076	DP BS-13A-2PW-So+Sw	PC/brass/phosphor bronze/AgCdO
532077	DP BS-13A-2PG-So+Sw	PC/brass/phosphor bronze/AgCdO
532078	DP BS-13A-2PGR-So+Sw	PC/brass/phosphor bronze/AgCdO
532079	DP BS-13A-2PB-So+Sw	PC/brass/phosphor bronze/AgCdO
532080	SP BS-13A+USB+TC-2PW-So+Sw	PC/brass/phosphor bronze/AgCdO/PCB electrical parts
532081	SP BS-13A+USB+TC-2PG-So+Sw	PC/brass/phosphor bronze/AgCdO/PCB electrical parts
532082	SP BS-13A+USB+TC-2PGR-So+Sw	PC/brass/phosphor bronze/AgCdO/PCB electrical parts
532083	SP BS-13A+USB+TC-2PB-So+Sw	PC/brass/phosphor bronze/AgCdO/PCB electrical parts
532084	2G-BS-13A-DP-2PW-So+Sw	PC/brass/phosphor bronze/AgCdO
532085	2G-BS-13A-DP-2PG-So+Sw	PC/brass/phosphor bronze/AgCdO
532086	2G-BS-13A-DP-2PGR-So+Sw	PC/brass/phosphor bronze/AgCdO
532087	2G-BS-13A-DP-2PB-So+Sw	PC/brass/phosphor bronze/AgCdO
532088	2G-BS-13A-SP+USB+TC-2PW-So+Sw	PC/brass/phosphor bronze/AgCdO/PCB electrical parts
532089	2G-BS-13A-SP+USB+TC-2PG-So+Sw	PC/brass/phosphor bronze/AgCdO/PCB electrical parts
532090	2G-BS-13A-SP+USB+TC-2PGR-So+Sw	PC/brass/phosphor bronze/AgCdO/PCB electrical parts
532091	2G-BS-13A-SP+USB+TC-2PB-So+Sw	PC/brass/phosphor bronze/AgCdO/PCB electrical parts
532092	2G-BS-13A-DP+45A-2PW-So+Sw	PC/brass/phosphor bronze/AgCdO/PCB electrical parts
532093	2G-BS-13A-DP+45A-2PG-So+Sw	PC/brass/phosphor bronze/AgCdO/PCB electrical parts
532094	2G-BS-13A-DP+45A-2PGR-So+Sw	PC/brass/phosphor bronze/AgCdO/PCB electrical parts
532095	2G-BS-13A-DP+45A-2PB-So+Sw	PC/brass/phosphor bronze/AgCdO/PCB electrical parts

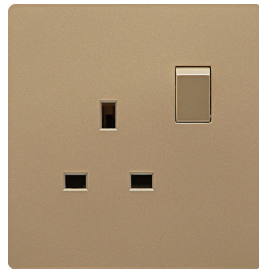
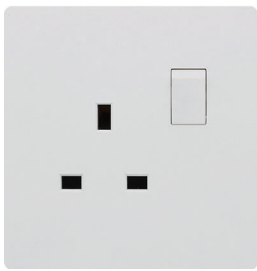
## SPECIFICATIONS

Code No.		Current Capacity	Body Color	Dimensions
532076	DP BS-13A-2PW-So+Sw	250V~13A	white	86x90x11.5mm
532077	DP BS-13A-2PG-So+Sw	250V~13A	gold	86x90x11.5mm
532078	DP BS-13A-2PGR-So+Sw	250V~13A	grey	86x90x11.5mm
532079	DP BS-13A-2PB-So+Sw	250V~13A	black	86x90x11.5mm
532080	SP BS-13A+USB+TC-2PW-So+Sw	250V~13A	white	86x90x11.5mm
532081	SP BS-13A+USB+TC-2PG-So+Sw	250V~13A	gold	86x90x11.5mm
532082	SP BS-13A+USB+TC-2PGR-So+Sw	250V~13A	grey	86x90x11.5mm
532083	SP BS-13A+USB+TC-2PB-So+Sw	250V~13A	black	86x90x11.5mm
532084	2G-BS-13A-DP-2PW-So+Sw	250V~13A	white	146x90x11.5mm
532085	2G-BS-13A-DP-2PG-So+Sw	250V~13A	gold	146x90x11.5mm
532086	2G-BS-13A-DP-2PGR-So+Sw	250V~13A	grey	146x90x11.5mm
532087	2G-BS-13A-DP-2PB-So+Sw	250V~13A	black	146x90x15mm
532088	2G-BS-13A-SP+USB+TC-2PW-So+Sw	250V~13A	white	146x90x11.5mm
532089	2G-BS-13A-SP+USB+TC-2PG-So+Sw	250V~13A	gold	146x90x11.5mm
532090	2G-BS-13A-SP+USB+TC-2PGR-So+Sw	250V~13A	grey	146x90x11.5mm
532091	2G-BS-13A-SP+USB+TC-2PB-So+Sw	250V~13A	black	146x90x11.5mm
532092	2G-BS-13A-DP+45A-2PW-So+Sw	250V~45A/13A	white	146x90x15.5mm
532093	2G-BS-13A-DP+45A-2PG-So+Sw	250V~45A/13A	gold	146x90x15.5mm
532094	2G-BS-13A-DP+45A-2PGR-So+Sw	250V~45A/13A	grey	146x90x15.5mm
532095	2G-BS-13A-DP+45A-2PB-So+Sw	250V~45A/13A	black	146x90x15.5mm

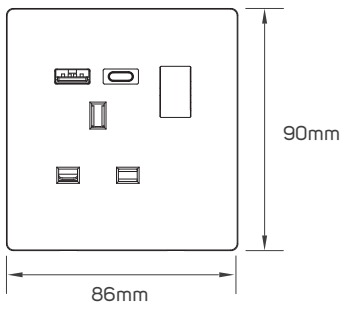
## DIMENSIONS



532076 - 532077 - 532078 - 532079



532076 - 532077 - 532078 - 532079

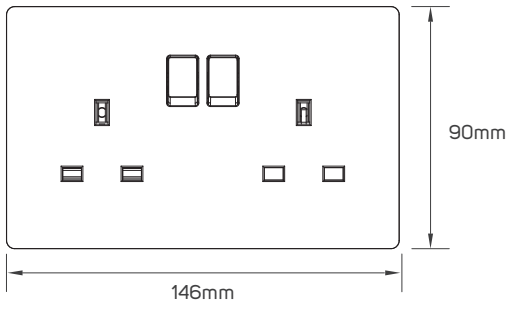


532080 - 532081 - 532082 - 532083

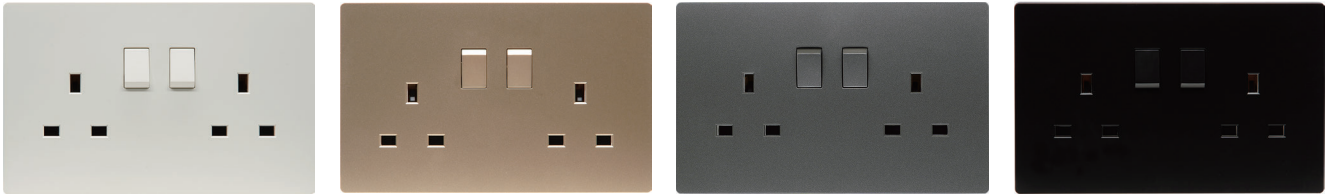


532080 - 532081 - 532082 - 532083

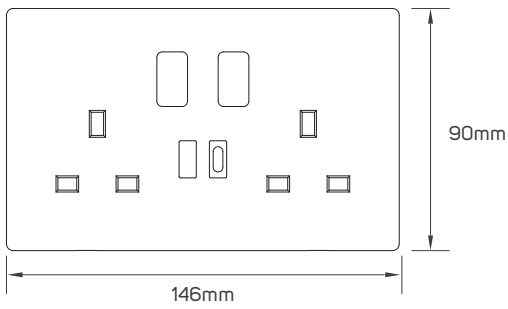
## DIMENSIONS



532084 - 532085 - 532086 - 532087



532084 - 532085 - 532086 - 532087

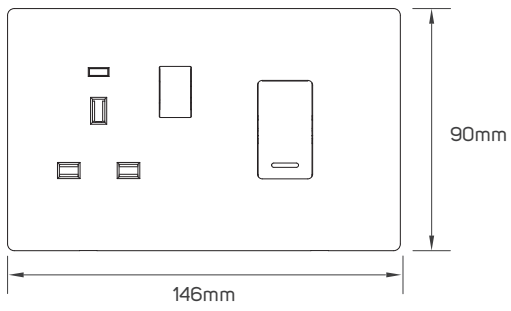


532088 - 532089 - 532090 - 532091



532088 - 532089 - 532090 - 532091

## DIMENSIONS



532092 - 532093 - 532094 - 532095



532092 - 532093 - 532094 - 532095



## SWITCHES & SOCKETS

