



SWITCHES & SOCKETS



AREAS OF APPLICATION



Hospitality



Shopping Center



Commercial



Educational Center

TECHNICAL OPERATING & ELECTRICAL DATA

Mounting Type	Recessed in Wall
Fixed or Adjustable	Fixed
Embedding Depth	22mm
Current Capacity	250V~16AX
Module Material	PC/Red Copper/AgCdO
Frame Material	Cold-roll Steel Sheets
Contacts Material	Cold-Roll Steel Sheets/Brass
Module Color	White
Frame Color	Grey

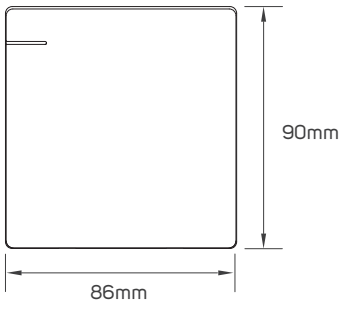
SPECIFICATIONS

Code No.	Model No.	Body Color	Dimensions
532129	1G-1W-3GGR-Sw	grey	86x90x15mm
532130	1G-1W-3GG-Sw	gold	86x90x15mm
532131	1G-1W-3GB-Sw	black	86x90x15mm
532132	1G-2W-3GGR-Sw	grey	86x90x15mm
532133	1G-2W-3GG-Sw	gold	86x90x15mm
532134	1G-2W-3GB-Sw	black	86x90x15mm
532135	1G-2WM-3GGR-Sw	grey	86x90x15mm
532136	1G-2WM-3G-Sw	gold	86x90x15mm
532137	1G-2WM-3GB-Sw	black	86x90x15mm
532138	2G-2WM-3GGR-Sw	grey	86x90x15mm
532139	2G-2WM-3GG-Sw	gold	86x90x15mm
532140	2G-2WM-3GB-Sw	black	86x90x15mm
532141	1G-BEL-3GGR-Sw	grey	86x90x15mm
532142	1G-BEL-3GG-Sw	gold	86x90x15mm
532143	1G-BEL-3GB-Sw	black	86x90x15mm
532144	2G-1W-3GGR-Sw	grey	86x90x15mm
532145	2G-1W-3GG-Sw	gold	86x90x15mm
532146	2G-1W-3GB-Sw	black	86x90x15mm
532147	2G-2W-3GGR-Sw	grey	86x90x15mm
532148	2G-2W-3GG-Sw	gold	86x90x15mm
532149	2G-2W-3GB-Sw	black	86x90x15mm

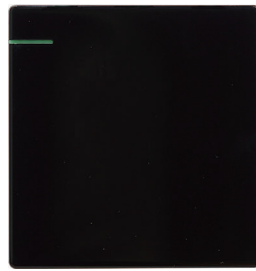
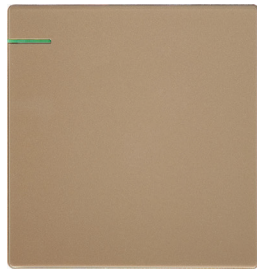
SPECIFICATIONS

Code No.	Model No.	Body Color	Dimensions
532150	3G-1W-3GGR-Sw	grey	86x90x15mm
532151	3G-1W-3GG-Sw	gold	86x90x15mm
532152	3G-1W-3GB-Sw	black	86x90x15mm
532153	3G-2W-3GGR-Sw	grey	86x90x15mm
532154	3G-2W-3GG-Sw	gold	86x90x15mm
532155	3G-2W-3GB-Sw	black	86x90x15mm
532156	4G-1W-3GGR-Sw	grey	86x90x15mm
532157	4G-1W-3GG-Sw	gold	86x90x15mm
532158	4G-1W-3GB-Sw	black	86x90x15mm
532159	4G-2W-3GGR-Sw	grey	86x90x15mm
532160	4G-2W-3GG-Sw	gold	86x90x15mm
532161	4G-2W-3GB-Sw	black	86x90x15mm

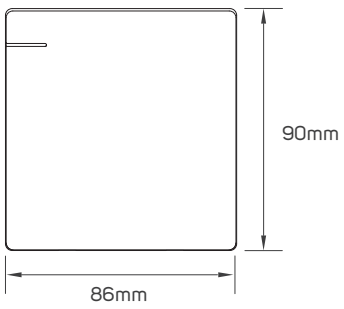
DIMENSIONS



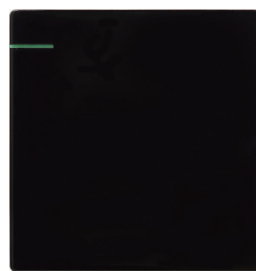
532129 - 532130 - 532131



532129 - 532130 - 532131

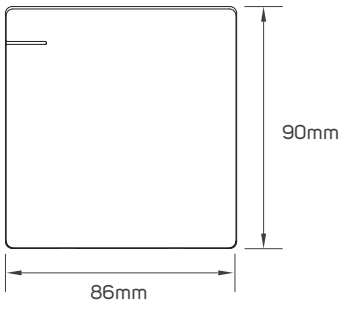


532132 - 532133 - 532134



532132 - 532133 - 532134

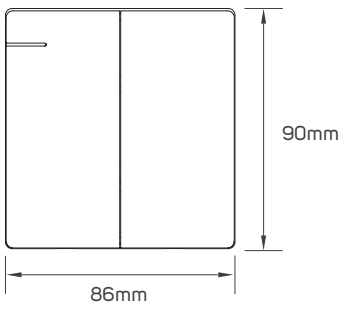
DIMENSIONS



532135 - 532136 - 532137



532135 - 532136 - 532137

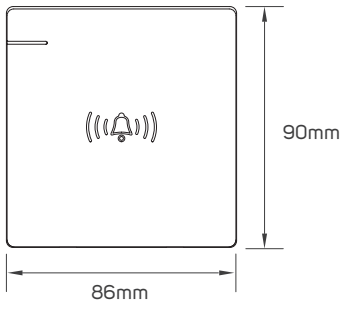


532138 - 532139 - 532140



532138 - 532139 - 532140

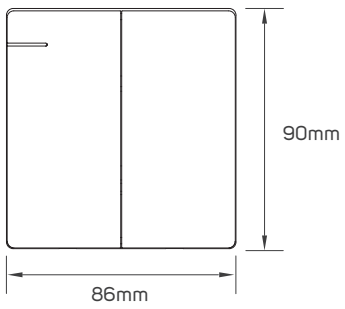
DIMENSIONS



532141 - 532142 - 532143



532141 - 532142 - 532143

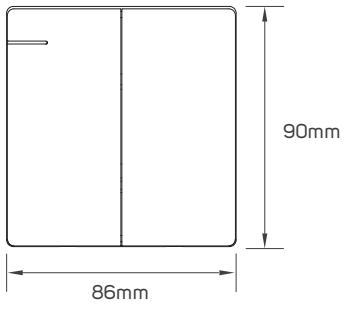


532144 - 532145 - 532146



532144 - 532145 - 532146

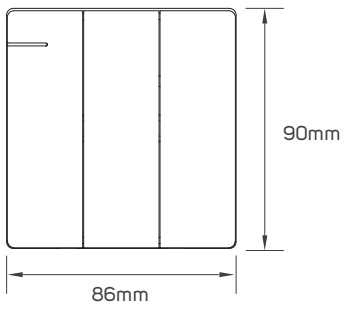
DIMENSIONS



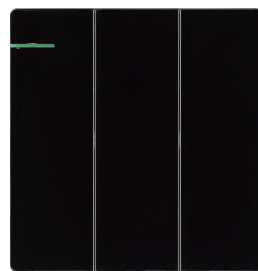
532147 - 532148 - 532149



532147 - 532148 - 532149

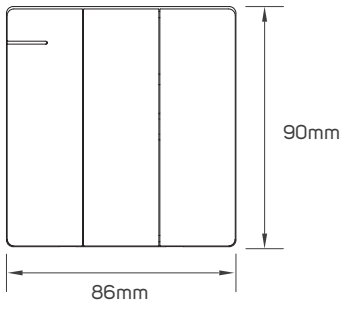


532150 - 532151 - 532152

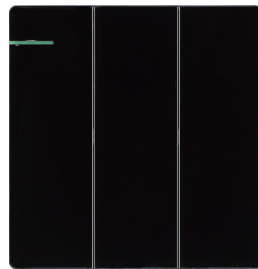


532150 - 532151 - 532152

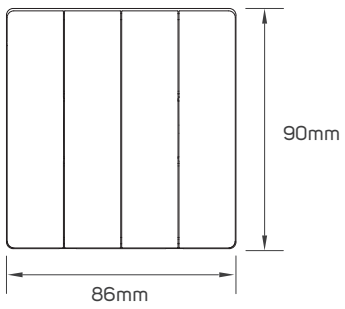
DIMENSIONS



532153 - 532154 - 532155



532153 - 532154 - 532155

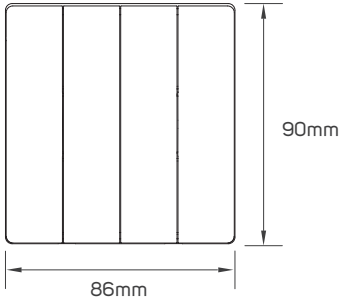


532156 - 532157 - 532158



532156 - 532157 - 532158

DIMENSIONS

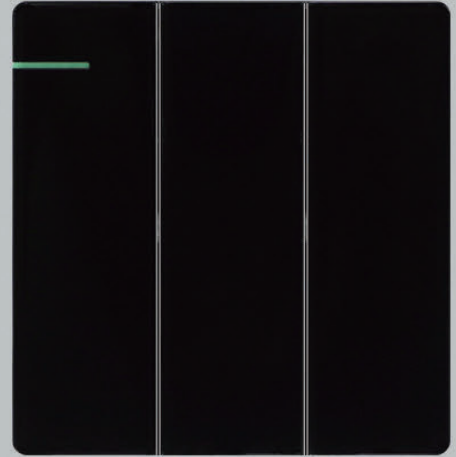


532159 - 532160 - 532161



532159 - 532160 - 532161

APPLICATION PICTURE



SWITCHES & SOCKETS

ilict

Carrer de la Vall de la Ballestera, 64, 46015 València, Valencia, España, Tel: +34619824456

www.illusillumination.com

illus illumination reserve the right to make dimensional, design and technical alternations without prior notice. illus illumination endeavor to ensure that any advice, recommendation or information it provides in product literature is accurate and correct. However due to the fact that illus do not have direct control on where and how the products are installed, illus illumination cannot accept any liability either direct or indirect arising from the use of illus products whether or not in accordance with any advice, specification, recommendation or information provided by illus illumination or its distributors.