



SWITCHES & SOCKETS



AREAS OF APPLICATION



Hospitality



Shopping Center



Commercial



Educational Center

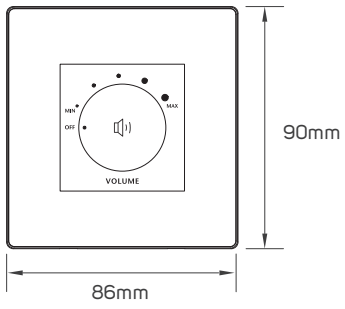
TECHNICAL OPERATING & ELECTRICAL DATA

Mounting Type	Recessed in Wall
Fixed or Adjustable	Fixed
Embedding Depth	29mm
Frame Material	Cold-roll Steel Sheets
Module Color	White
Frame Color	Grey

SPECIFICATIONS

Code No.	Model No.	Body Color	Module Material	Contacts Material	Current Capacity	Dimensions
532216	1G-VDIMM-3GGR-Sw	grey	PC/PCB electrical parts	/	/	86x90x22.5mm
532217	1G-VDIMM-3GG-Sw	gold	PC/PCB electrical parts	/	/	86x90x22.5mm
532218	1G-VDIMM-3GB-Sw	black	PC/PCB electrical parts	/	/	86x90x22.5mm
532219	1G-SENS+LIG-3GGR-Sw	grey	PC/PCB electrical parts	/	0.005A	86x90x17.5mm
532220	1G-SENS+LIG-3GG-Sw	gold	PC/PCB electrical parts	/	0.005A	86x90x17.5mm
532221	1G-SENS+LIG-3GB-Sw	black	PC/PCB electrical parts	/	0.005A	86x90x17.5mm
532222	Shtr-3GGR-Sw	grey	PC/red copper/AgCdO	cold-roll steel sheets/Brass	250V~16AX	86x90x15mm
532223	Shtr-3GG-Sw	gold	PC/red copper/AgCdO	cold-roll steel sheets/Brass	250V~16AX	86x90x15mm
532224	Shtr-3GB-Sw	black	PC/red copper/AgCdO	cold-roll steel sheets/Brass	250V~16AX	86x90x15mm
532225	CABL-45A-3GGR-So	grey	PC/brass	brass	45A	86x90x16.5mm
532226	CABL-45A-3GG-So	gold	PC/brass	brass	45A	86x90x16.5mm
532227	CABL-45A-3GB-So	black	PC/brass	brass	45A	86x90x16.5mm

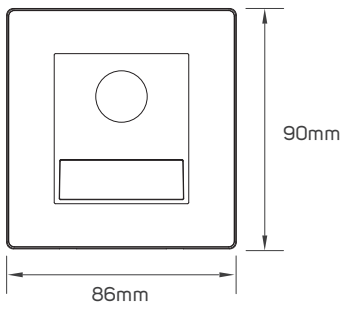
DIMENSIONS



532216 - 532217 - 532218



532216 - 532217 - 532218

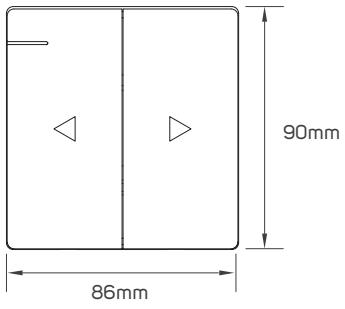


532219 - 532220 - 532221

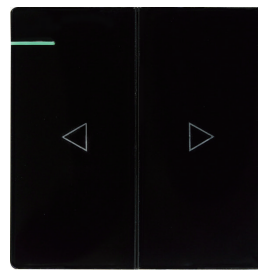


532219 - 532220 - 532221

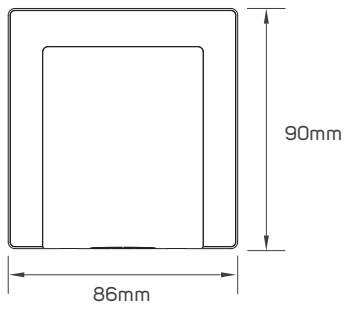
DIMENSIONS



532222 - 532223 - 532224



532222 - 532223 - 532224



532225 - 532226 - 532227



532225 - 532226 - 532227

APPLICATION PICTURE



SWITCHES & SOCKETS

ilict