



Full range recessed up-light to make your space distinctive

LED INGROUND LUMINAIRE SERIES

PRODUCT INFORMATION

- Provide a completed range of up-lights of wattage, color temperature.
- Make your space distinctive with more safety and convenience as well.
- ILLUS LED INGROUND Luminaire gives the customer the flexibility to choose between 3 models based on their specific need with lumen package from 130 lm to 160 lm.

BENEFITS

- Easy to opt.
- Quick installation.
- Robust design for severe conditions.

FEATURES

- High CRI>80.
- Efficacy up to 64 lm/w.
- Long life span 30,000 hrs.
- Operating voltage 100 – 240 V.
- Non – dimmable.



BEYOND LIGHT..
TO THE LAST DETAILS!

AREAS OF APPLICATION



Commercial



Shopping Center



Educational center



Garden

TECHNICAL OPERATING & ELECTRICAL DATA

Input Voltage & Frequency	AC100-240V, 50/60Hz
Rated CRI	80
Color Temperature	3000K
Life Span	30.000h
Ingress Protection Rating	IP67
Dimming	Non-Dimmable

SPECIFICATIONS

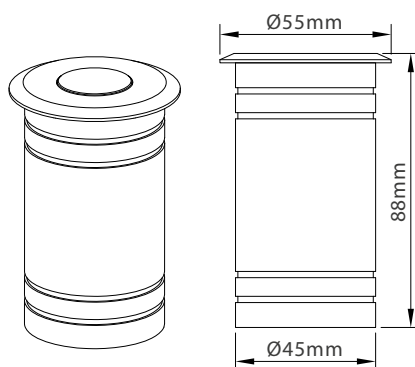
Code No.	Model No.	Power	Body Color
521201	ILS2.5RMOIGL01	2.5W	Silver
521306	ILS2.5RMOIGL10	2.5W	Silver
521307	ILS2.5RMOIGL11	2.5W	Silver

DIMENSIONS

Code No.	Model No.	Diameter	Height
521201	ILS2.5RMOIGL01	55	88
521306	ILS2.5RMOIGL10	55	88
521307	ILS2.5RMOIGL11	55	88

MOUNTING DIMENSIONS (CUTTING SIZE)

Code No.	Model No.	Diameter
521201	ILS2.5RMOIGL01	45
521306	ILS2.5RMOIGL10	45
521307	ILS2.5RMOIGL11	45



521201, 521306, 521307



This image is for display purpose only, the image may differ from the actual product, as the product is subject to modification provided without prior notice.

LED INGROUND LUMINAIRE SERIES

BEYOND LIGHT..
TO THE LAST DETAILS!

