



Full range recessed up-light to make your space distinctive

IN-GROUND LUMINAIRE SERIES

PRODUCT INFORMATION

- Provide a completed range of up-lights in terms of wattage, color temperature.
- Make your space distinctive with more safety and convenience as well.
- ILLUS IN-GROUND Luminaire gives the customer the flexibility to choose between 2 models.

BENEFITS

- Easy to opt.
- Quick installation.
- Robust design for severe conditions.

FEATURES

- Long life span 15,000 hrs.
- Operating voltage AC220 – 240V

AREAS OF APPLICATION



Hospitality



Shopping Center



Commercial



Educational Center



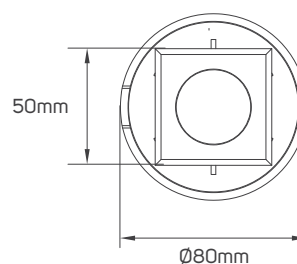
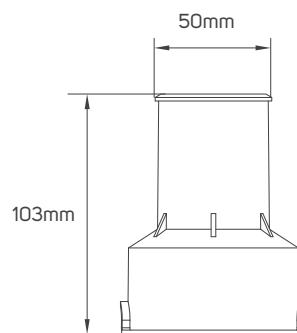
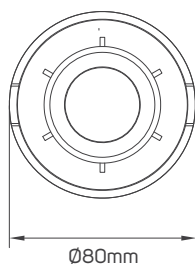
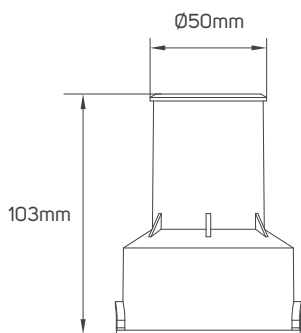
TECHNICAL OPERATING & ELECTRICAL DATA

IP Rating	IP65&67
Body Color	Black
Body Material	Stainless steel+Die casting aluminum
Voltage	AC220-240V
Frequency	50/60Hz
Ambient Temperature	-20°C~ 45°C
Directional or Non Directional	Directional
Fixed or Adjustable	Fixed

SPECIFICATIONS

Code No.	Model No.	Max. Wattage	Cap Type	Lamp Type	Cutting Dimensions
613232	ILSRMOIGF01	Max.9W	GU10	MR11	Ø80x105
613233	ILSRMOIGF02	Max.9W	GU10	MR11	Ø80x105

DIMENSIONS



613232

613233



This image is for display purpose only, the image may differ from the actual product, as the product is subject to modification provided without prior notice.

IN-GROUND LUMINAIRE SERIES

BEYOND LIGHT..
TO THE LAST DETAILS!

