



LED PRO

PENDANT LUMINAIRE SERIES

ilict

BEYOND LIGHT..
TO THE LAST DETAILS!

AREAS OF APPLICATION



Hospitality



Shopping Center



Commercial



Educational Center



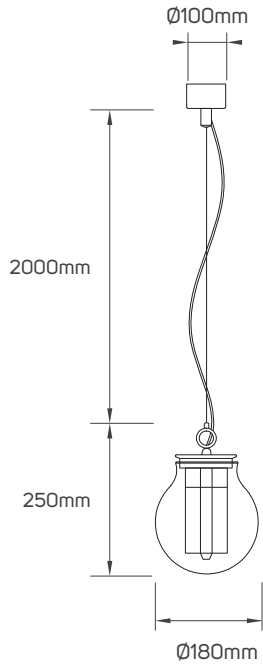
TECHNICAL OPERATING & ELECTRICAL DATA

IP Rating	IP20
Voltage	AC220-240V
Frequency	50/60Hz
Mounting Type	Surface-Mounted on Ceiling
Ambient Temperature	20°C
Dimming	Non- Dimmable
Fixed or Adjustable	Fixed

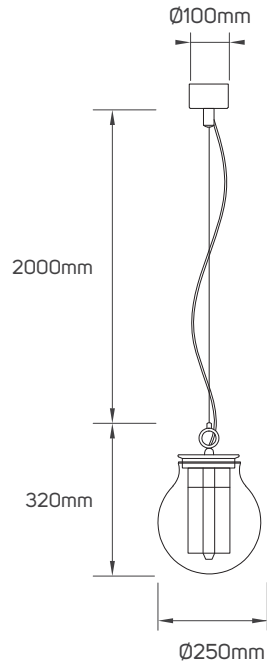
SPECIFICATIONS

Code No.	Model No.	Max. Wattage	Body Color	Body Material	Cap Type
661312	ILTGLSPL09	18W	copper+amber	glass	E27
661313	ILTGLMPL17	18W	copper+amber	iron	E27
661314	ILTGLMPL18	18W	copper+amber	iron	E27
661315	ILTGLSPL10	18W	copper+amber	glass	E27
661316	ILTGLSPL11	18W	copper+amber	glass	E27
661317	ILTGLSPL12	18W	copper+amber	glass	E27
661318	ILTGLSPL13	18W	white	glass	E27
661319	ILTGLSPL14	18W	black	glass	E27

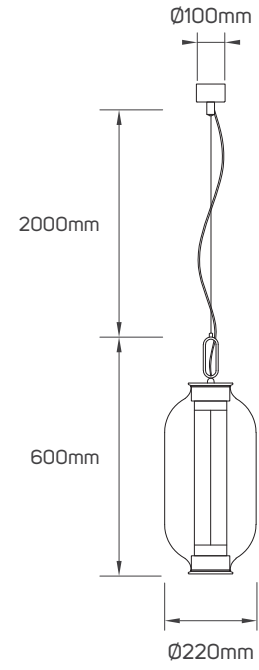
DIMENSIONS



661312



661315



661316



661312

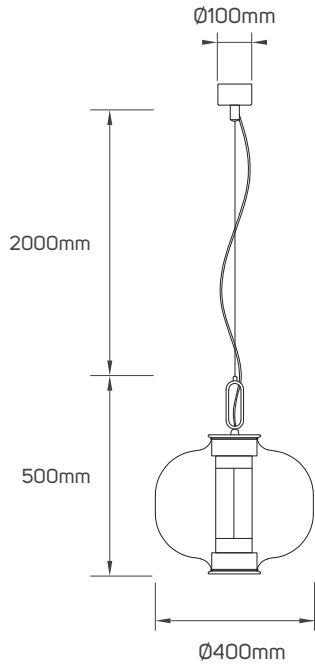


661315

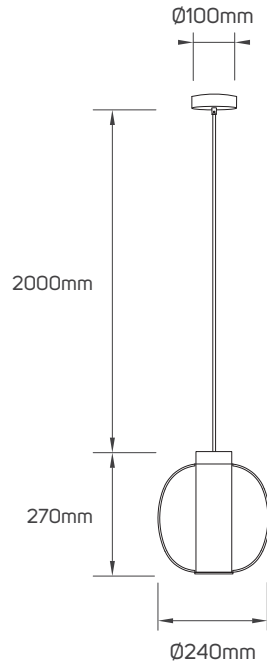


661316

DIMENSIONS



661317



661318 - 661319

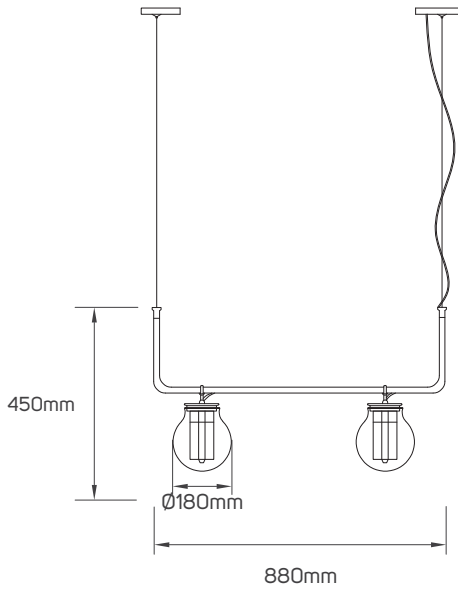


661317

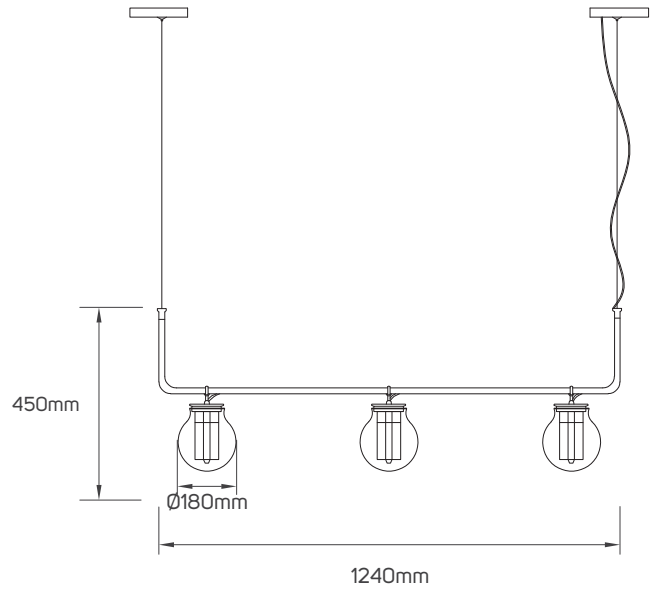


661318 - 661319

DIMENSIONS



661313



661314



661313



661314

APPLICATION PICTURE



This image is for display purpose only, the image may differ from the actual product as the product is subject to modification provided without prior notice.

PENDANT LUMINAIRE SERIES

**BEYOND LIGHT..
TO THE LAST DETAILS!**

ilict

Carrer de la Vall de la Ballestera, 64, 46015 València, Valencia, España, Tel: +34619824456

www.illusillumination.com

illus illumination reserve the right to make dimensional, design and technical alternations without prior notice. illus illumination endeavor to ensure that any advice, recommendation or information it provides in product literature is accurate and correct. However due to the fact that illus do not have direct control on where and how the products are installed, illus illumination cannot accept any liability either direct or indirect arising from the use of illus products whether or not in accordance with any advice, specification, recommendation or information provided by illus illumination or its distributors.