



# TRACK MOUNTED LUMINAIRE



**BEYOND LIGHT..  
TO THE LAST DETAILS!**

## AREAS OF APPLICATION



Hospitality



Shopping Center



Commercial



Educational Center



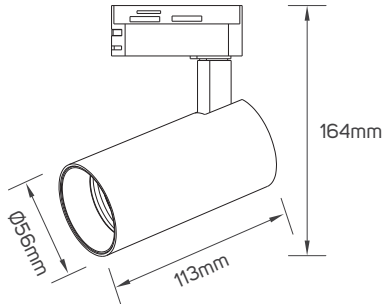
## TECHNICAL OPERATING & ELECTRICAL DATA

IP Rating	IP20
Body Material	Aluminum+Plastic
Voltage	AC220-240V
Frequency	50/60Hz
Maximum Bulb Wattage	Max.9W
Cap Type	GU10
Mounting Type	Track Mounted
Type of Frame	Adjustable

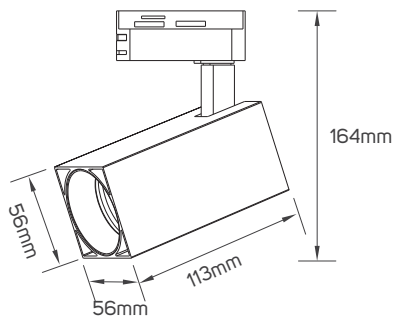
## SPECIFICATIONS

Code No.	Model No.	Body Color
612119	ILSATMF09	white+black
612120	ILSATMF09	black
612121	ILSATMF10	white+black
612122	ILSATMF10	black
612155	ILSATMF11	white+black
612156	ILSATMF11	black
612157	ILSATMF12	white+black
612158	ILSATMF12	black
612159	ILSATMF13	white+black
612160	ILSATMF13	black
612161	ILSATMF14	white+black
612162	ILSATMF14	black

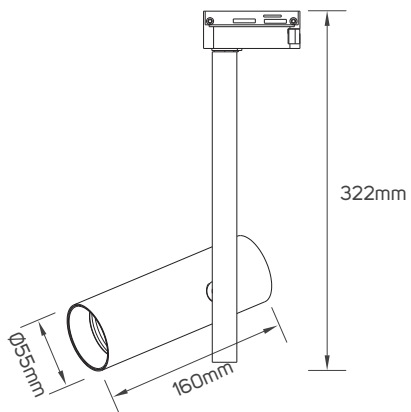
## DIMENSIONS



612119 - 612120

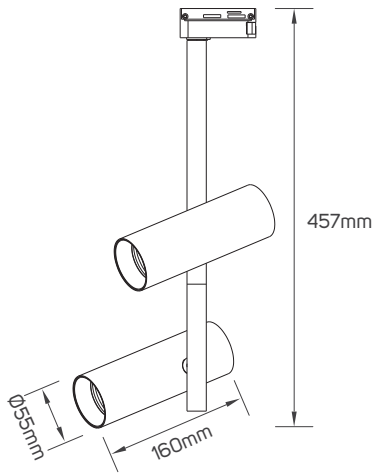


612121 - 612122

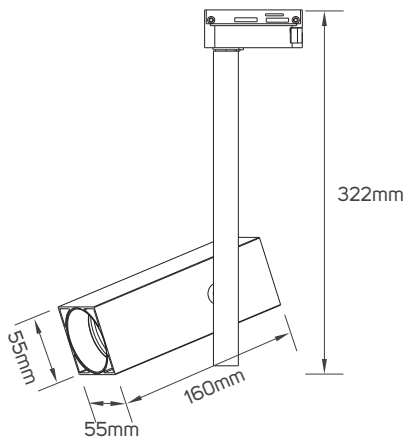


612155 - 612156

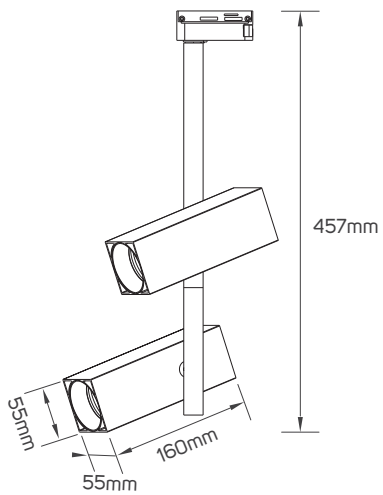
## DIMENSIONS



612157 - 612158



612159 - 612160



612161 - 612162

## APPLICATION PICTURE



This image is for display purpose only, the image may differ from the actual product, as the product is subject to modification provided without prior notice.

## TRACK MOUNTED LUMINAIRE

**BEYOND LIGHT..  
TO THE LAST DETAILS!**



Carrer de la Vall de la Ballestera, 64, 46015 València, Valencia, España, Tel: +34619824456

[www.illusillumination.com](http://www.illusillumination.com)

illus illumination reserve the right to make dimensional, design and technical alternations without prior notice. illus illumination endeavor to ensure that any advice, recommendation or information it provides in product literature is accurate and correct. However due to the fact that illus do not have direct control on where and how the products are installed, illus illumination cannot accept any liability either direct or indirect arising from the use of illus products whether or not in accordance with any advice, specification, recommendation or information provided by illus illumination or its distributors.