

User Manual

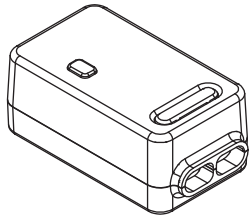
for Kinetic Wall Switch On/Off Receivers

Product Range: KR01-ND-RF
KR01-ND-WF

Important note: Isolate power before connecting receiver. Failure to do so can cause electric shock, fire or other hazards.

v1.0.1

A. What is in the box ?



x 1



x 1



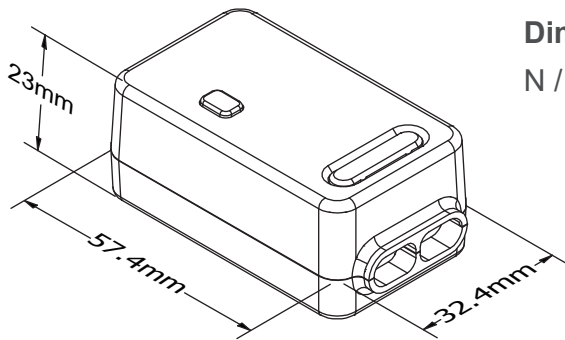
x 1



x 1

B. Specifications

Dimensions:



Product Code:

RF KR01-ND-RF

RF & Wif KR01-ND-WF

Dimming:

N / A

Power:

500W (LED and Resistive Loads)

Input Voltage:

AC85~240V 50/60Hz

Radio Frequency:

RF 433Mhz;

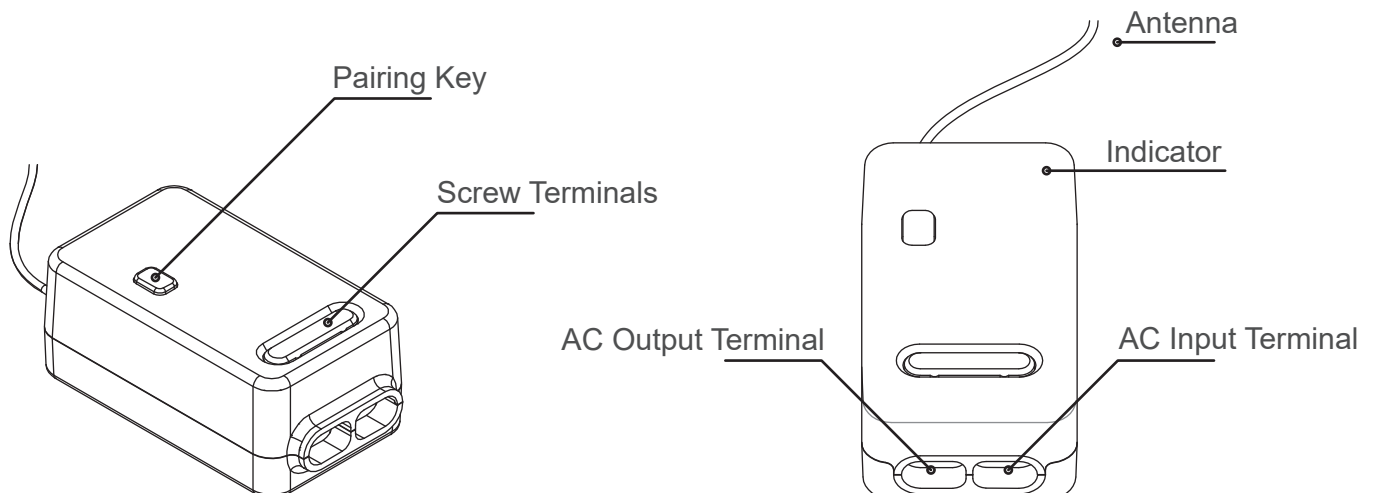
WiFi 2.4G for Smart Versions.

IP Rating:

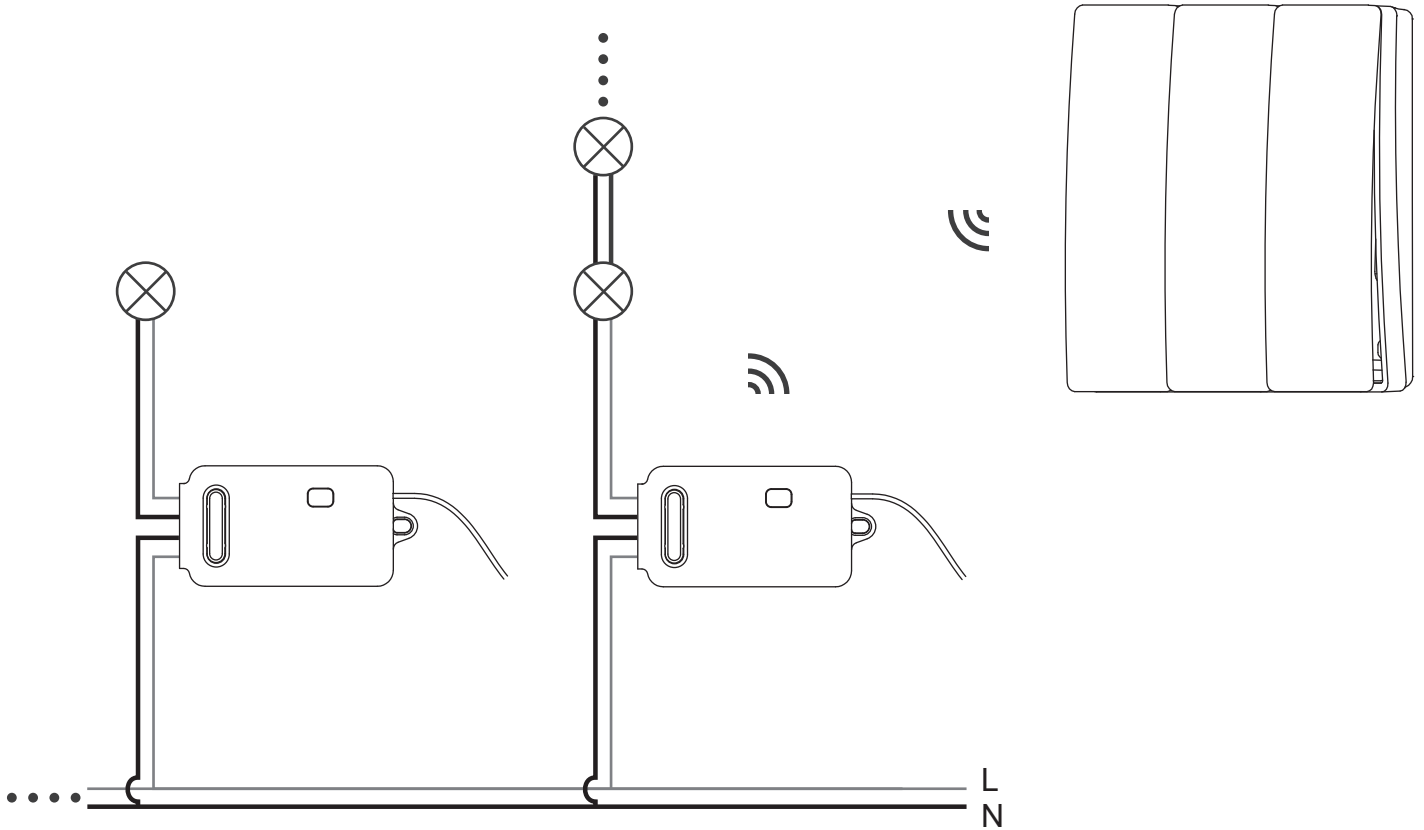
IP20; Indoor use only.



C. Functions of parts



D. Wiring Diagram

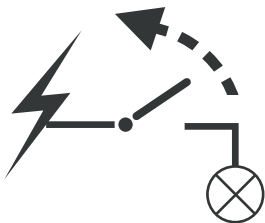


E. Installations

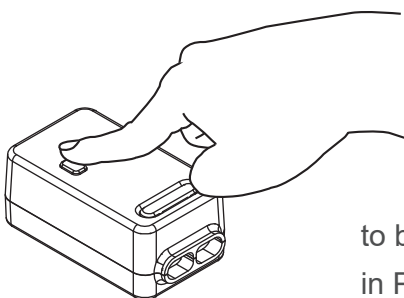
- Ⓐ Disconnect the mains before installation.



Installation must be carried out by licensed electricians.

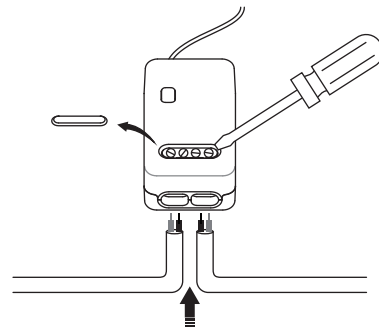


- Ⓒ Press the Pairing Key to pair to switches.

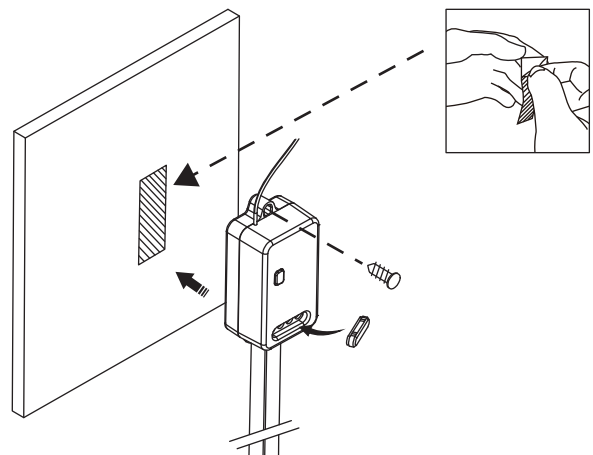


to be continued in Pairing section.

- Ⓑ Fix the cables to the receiver firmly.

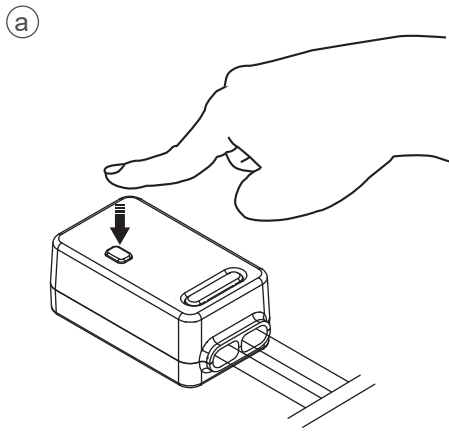


- Ⓓ Fix the receiver by screws or sticker provided.

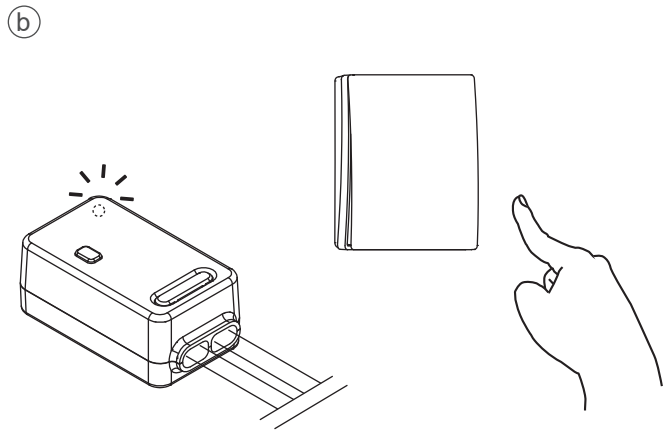


F. Pairing with Kinetic Switch

1. Pairing to kinetic switch - Standard method



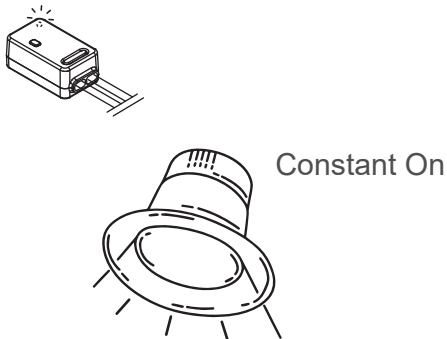
Press the Pairing Key for 3-4s,
until the RED indicator flash slowly.



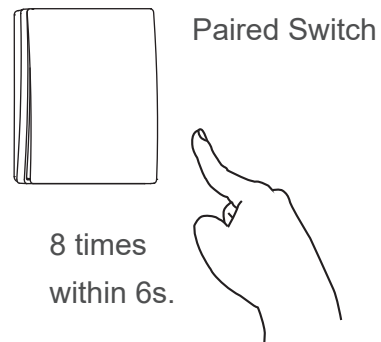
While the indicator on receiver flashes, press the
Kinetic switch ONCE to complete the pairing.

2. Pairing to kinetic switch - Remote pairing to installed receiver.

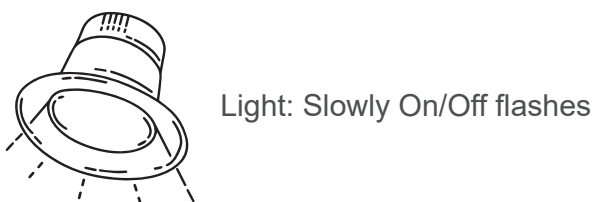
(a) Turn On the Light



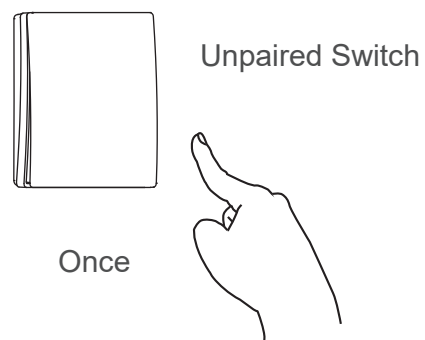
(b) Press 8 times on Paired Switch within 6s



(c) Receiver enters a Switch Pairing window



(d) Press the key of unpaired switch ONCE to complete the pairing.

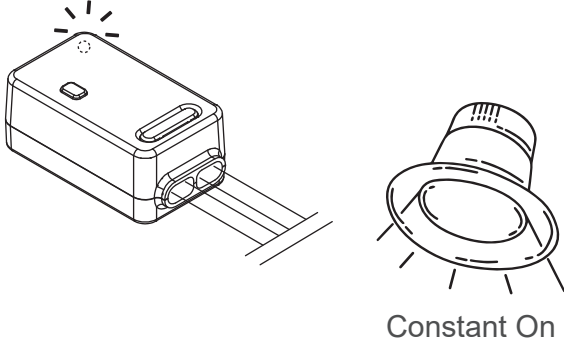


G. Pairing to Tuya App (WiFi Version)

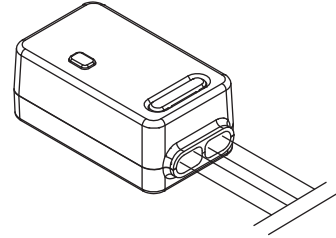
1. For Tuya App Pairing

Note: Tuya App pairing available from the time of powering up the receiver.

(a) BLUE Indicator continuously flashes.

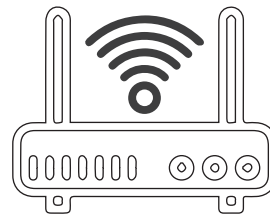


(b) Successful pairing stops the BLUE flash.



Download Tuya Smartlife App to process:

Please note, 5G Router is NOT compatible.



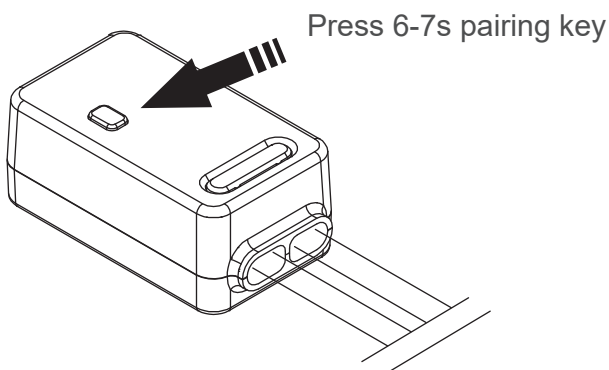
WiFi 2.4G

You may pair RF & Smart Receiver to Kinetic Switches by following Pairing Step 1.

H. Un-pairing

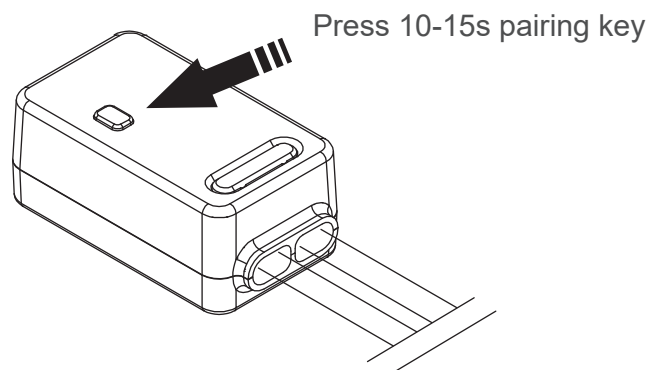
(a) Kinetic Switch

Un-pairing from receiver

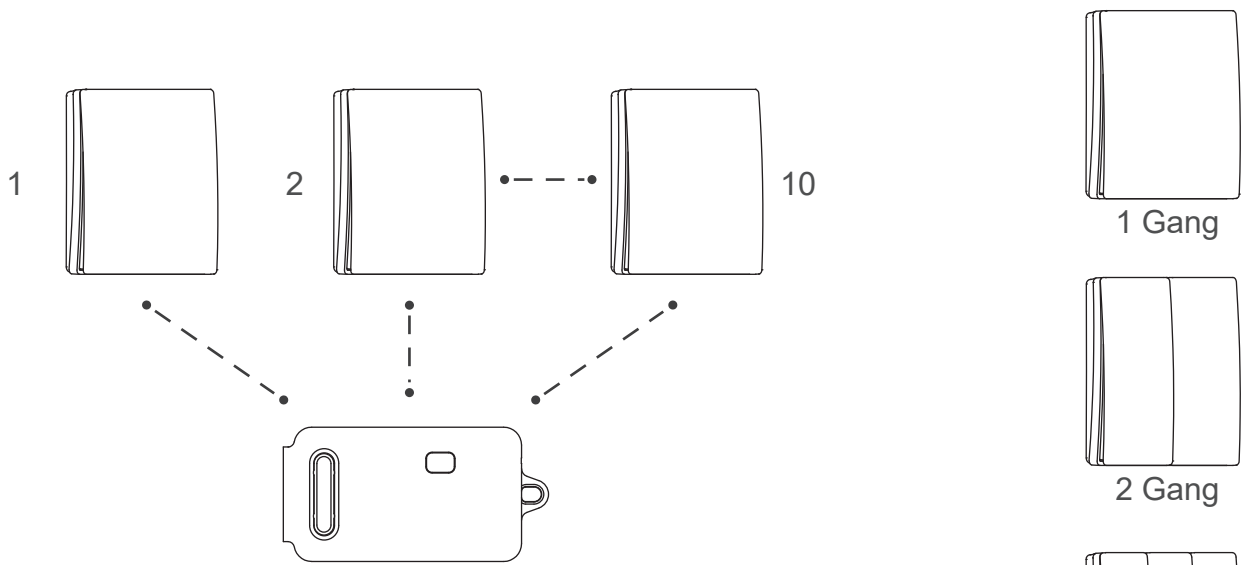


(b) Tuya App

Un-pairing from Tuya App



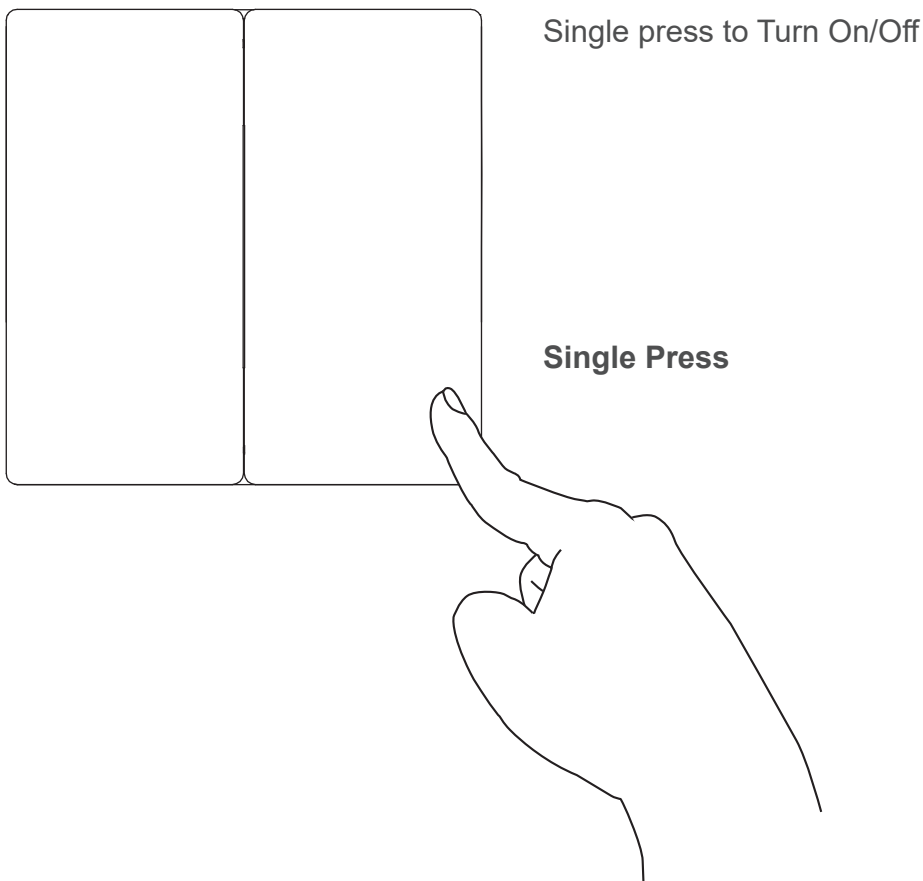
I. Pairing Limitations



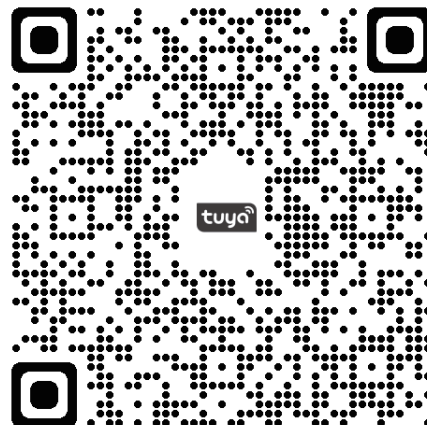
Max. 10 Kinetic Switches to pair ONE On / Off Receiver.

To avoid sync problem, we DO NOT suggest to pair multiple On / Off receivers to one or multiple Kinetic Switches.

J. Control the On / Off Receiver via Kinetic Switch



K. Control the On / Off Receiver via Tuya App

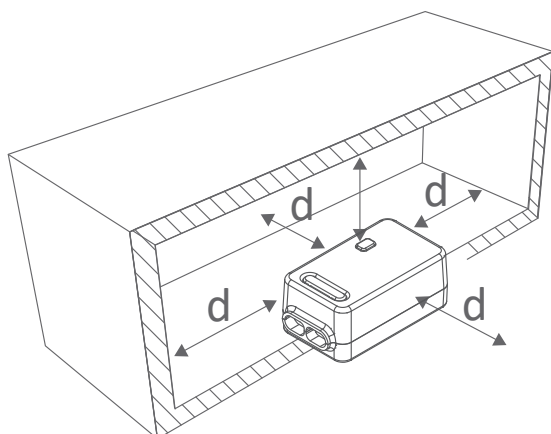


Follow Tuya App User Manual for better experience.

Scan the QR code to Tuya User Manual.

L. Attentions

d = Min. 50mm



Do not cover with insulations.

