



LED PRO

The special light bulb

LED NON – DIRECTIONAL LAMP SERIES

PRODUCT INFORMATION

- Combines the familiar shapes of classic incandescent bulbs with long lasting LED technology.
- Delivers beautiful warm white light while saving energy costs compared with traditional light bulbs.
- ILLUS LED NON – DIRECTIONAL Lamp gives the customer the flexibility to choose between 7 models based on their specific need with lumen package from 400 lm to 900 lm.

BENEFITS

- Very long lifetime that reduces the need for replacement.
- Easy replacement of classic conventional lamps.

FEATURES

- High CRI>90.
- Efficacy up to 100 lm/w.
- Long life span 15,000 hrs.
- Operating voltage 220 – 240V.
- Dimmable.



**BEYOND LIGHT..
TO THE LAST DETAILS!**

AREAS OF APPLICATION



Hospitality



Shopping Center



Commercial



Educational Center



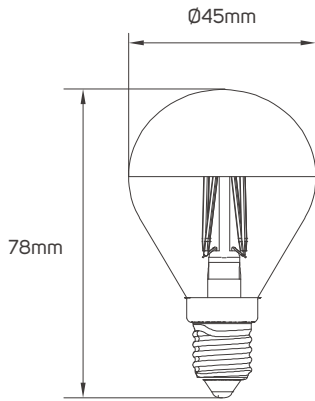
TECHNICAL OPERATING & ELECTRICAL DATA

IP Rating	IP20
CRI	90
Body Color	Black+Glass
Body Material	Glass
Lumen	from 400 to 900lm/M+/-10%
CCT	2700K
Voltage	AC220-240V
Frequency	50/60Hz
Beam Angle	330°
Dimmable or Not	Dimmable
Directional or Non Directional	Non-Directional
Fixed or Adjustable	Fixed
Life Span	15,000hrs

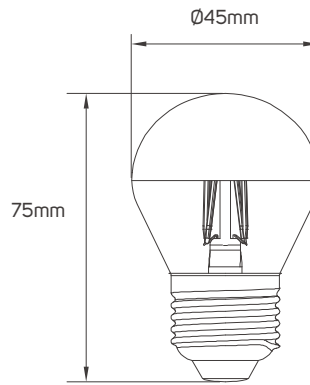
SPECIFICATIONS

Code No.	Model No.	Power	Lumen	Efficacy	Lamp Holder Type
612726	ILS4.5WE14DFG45L927WWB01	4.5W	400lm	89lm/W	E14
612727	ILS4.5WE27DFG45L927WWB01	4.5W	400lm	89lm/W	E27
612728	ILS7WE27DFA60L927WWB01	7W	680lm	97lm/W	E27
612729	ILS9WE27DFA60L927WWB01	9W	900lm	100lm/W	E27
612730	ILS9WE27DFG80L927WWB01	9W	900lm	100lm/W	E27
612731	ILS9WE27DFG95L927WWB01	9W	900lm	100lm/W	E27
612732	ILS9WE27DFG125L927WWB01	9W	900lm	100lm/W	E27

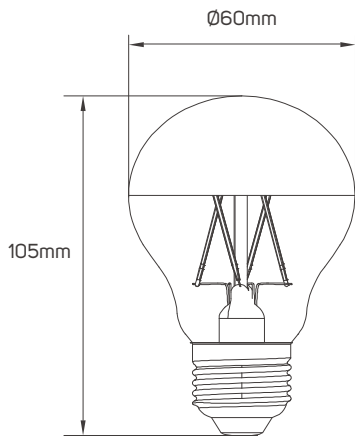
DIMENSIONS



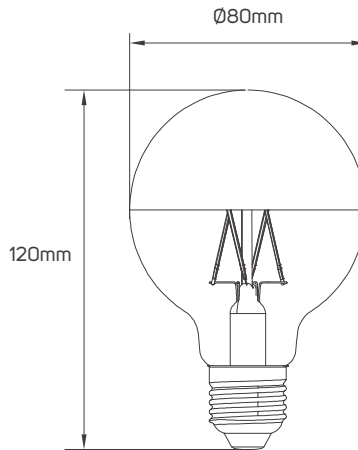
612726



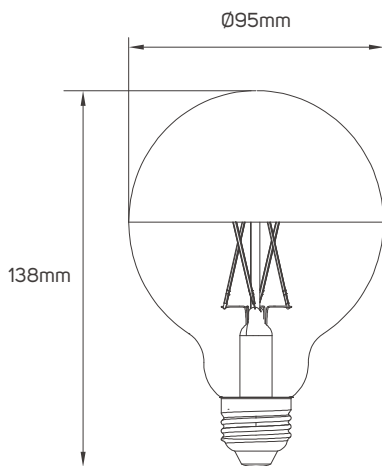
612727



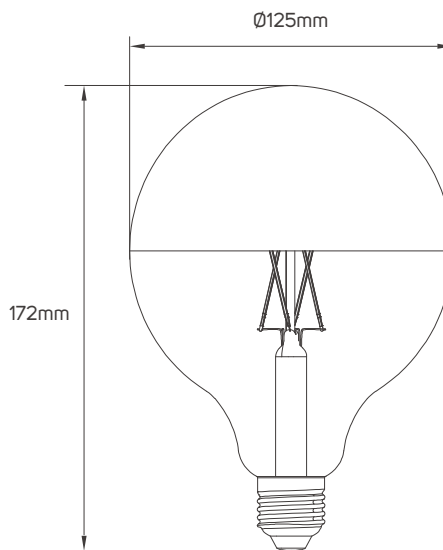
612728 - 612729



612730



612731



612732

APPLICATION PICTURE



This image is for display purpose only, the image may differ from the actual product, as the product is subject to modification provided without prior notice.

LED NON – DIRECTIONAL LAMP SERIES

**BEYOND LIGHT..
TO THE LAST DETAILS!**

