



SURFACE MOUNTED LUMINAIRE



**BEYOND LIGHT..
TO THE LAST DETAILS!**

AREAS OF APPLICATION



Hospitality



Shopping Center



Commercial



Educational Center



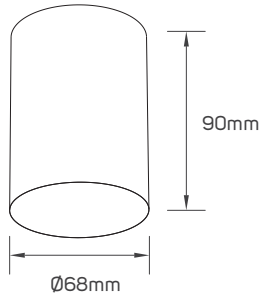
TECHNICAL OPERATING & ELECTRICAL DATA

Body Material	Aluminum
Voltage	AC220-240V
Frequency	50/60Hz
Maximum Bulb Wattage	Max.9W
Cap Type	GU10
Mounting Type	Surface-mounted on Ceiling

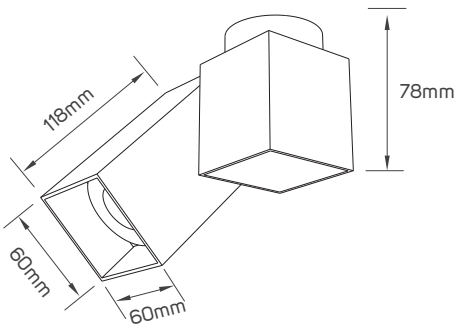
SPECIFICATIONS

Code No.	Model No.	Body Color	IP Rating	Type of Frame
612067	ILSFSMOCF01	white & black	IP65	fixed
612068	ILSFSMOCF01	black	IP65	fixed
612603	ILSASMCF62	white & black	IP20	adjustable
612604	ILSASMCF62	black	IP20	adjustable
612605	ILSASMCF63	white & black	IP20	adjustable
612606	ILSASMCF63	black	IP20	adjustable
612611	ILSASMCF22	white & black	IP20	adjustable
612612	ILSASMCF22	black	IP20	adjustable
612613	ILSASMCF61	white & black	IP20	adjustable
612614	ILSASMCF61	black	IP20	adjustable
612615	ILSASMCF64	white & black	IP20	adjustable
612616	ILSASMCF64	black	IP20	adjustable
612617	ILSASMCF65	white & black	IP20	adjustable
612618	ILSASMCF65	black	IP20	adjustable
612619	ILSASMCF66	white & black	IP20	adjustable
612620	ILSASMCF66	black	IP20	adjustable
612621	ILSASMCF67	white & black	IP20	adjustable
612622	ILSASMCF67	black	IP20	adjustable
612698	ILSSMCF001	white & black	IP65	fixed
612699	ILSSMCF001	black	IP65	fixed

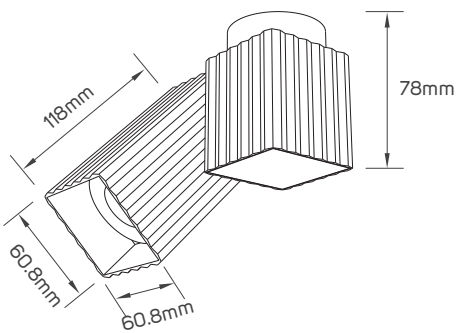
DIMENSIONS



612067 - 612068

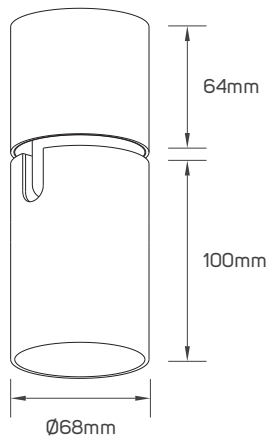


612603 - 612604

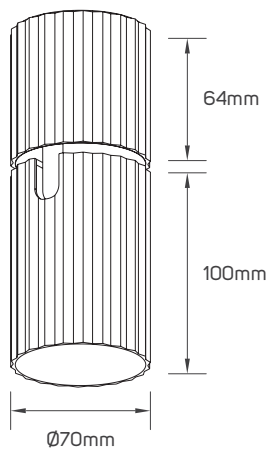


612605 - 612606

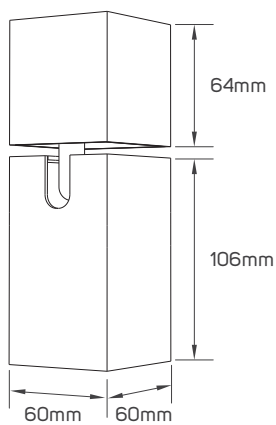
DIMENSIONS



612611 - 612612

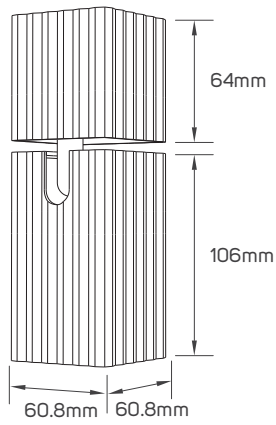


612613 - 612614

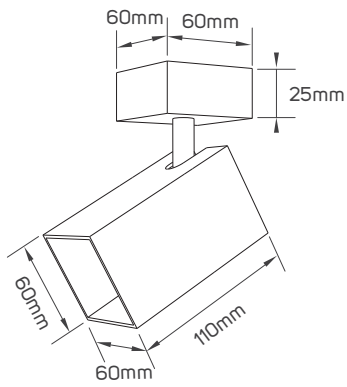


612615 - 612616

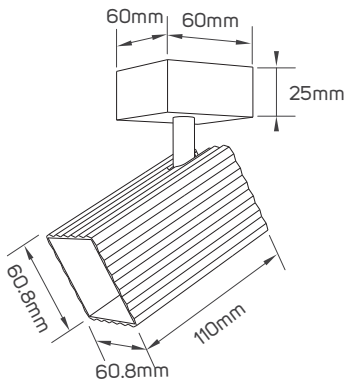
DIMENSIONS



612617 - 612618

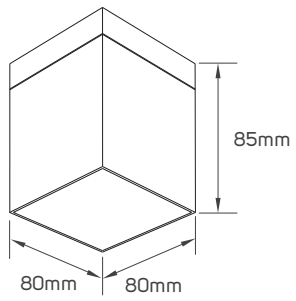


612619 - 612620



612621 - 612622

| DIMENSIONS



612698 - 612699

APPLICATION PICTURE



This image is for display purpose only, the image may differ from the actual product, as the product is subject to modification provided without prior notice.

SURFACE MOUNTED LUMINAIRE

**BEYOND LIGHT..
TO THE LAST DETAILS!**

