



## PENDANT LUMINAIRE

LED PRO



BEYOND LIGHT..  
TO THE LAST DETAILS!

## AREAS OF APPLICATION



Hospitality



Shopping Center



Commercial



Educational Center

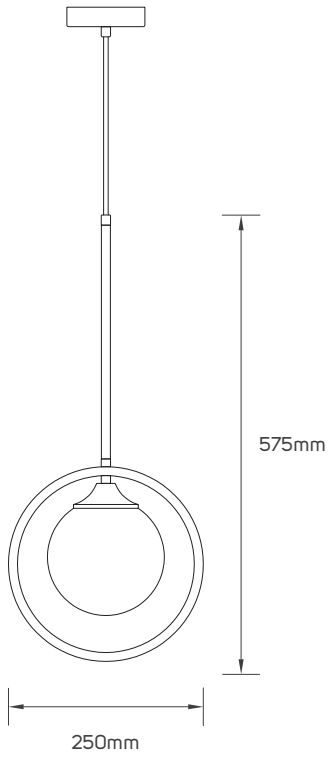
## TECHNICAL OPERATING & ELECTRICAL DATA

IP rating	IP20
Voltage	AC220-240V
Frequency	50/60Hz
Dimming	Non-Dimmable
Fixed or Adjustable	Fixed
Life span	50000h

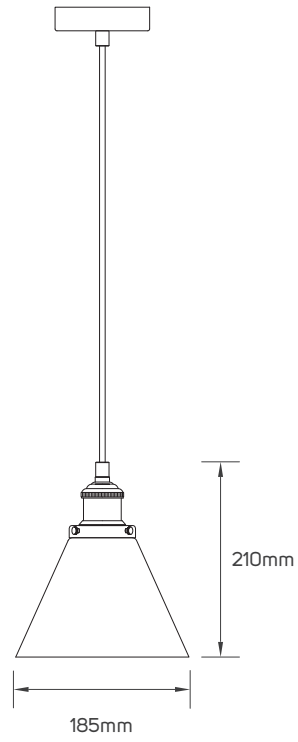
## SPECIFICATIONS

Code No.	Model No.	IP	Max. Wattage	Body Color	Body Material	Lamp Holder Type	Dimensions
612874	ILTGLFSPL18	20	9W	golden	iron+glass	E14	250x575mm
612954	ILTGLFSPL17	20	18W	smoky grey	metal+glass	E27	185x210mm
612955	ILTGLFSPL17	20	18W	amber	metal+glass	E27	185x210mm
612956	ILTGLFSPL17	20	18W	smoky grey	metal+glass	E27	280x230mm
612957	ILTGLFSPL17	20	18W	amber	metal+glass	E27	280x230mm
612962	ILTMEFSPL34	20	9W	golden	iron	E14	150x405mm

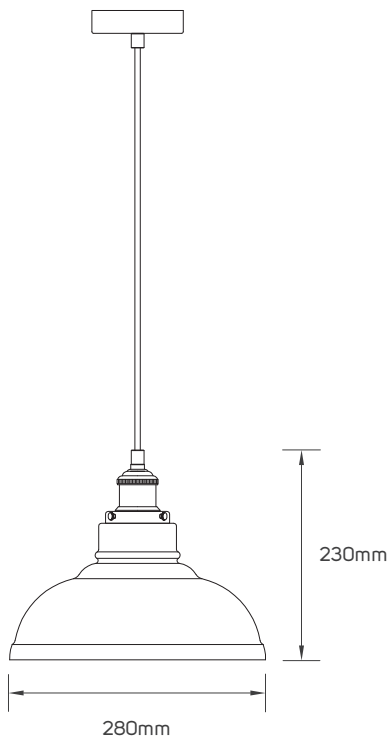
## DIMENSIONS



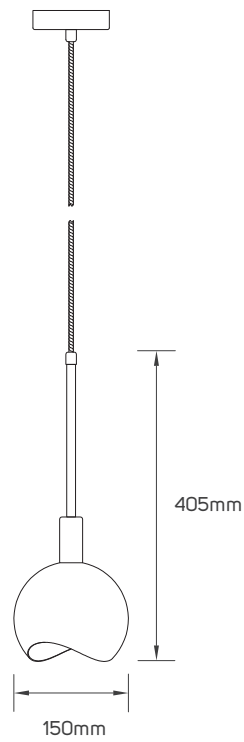
612874



612954 - 612955



612956 - 612957



612962

## APPLICATION PICTURE



This image is for display purpose only, the image may differ from the actual product, as the product is subject to modification provided without prior notice.

## PENDANT LUMINAIRE

**BEYOND LIGHT..  
TO THE LAST DETAILS!**



Carrer de la Vall de la Ballestera, 64, 46015 València, Valencia, España, Tel: +34619824456

[www.illusillumination.com](http://www.illusillumination.com)

illus illumination reserve the right to make dimensional, design and technical alternations without prior notice. illus illumination endeavor to ensure that any advice, recommendation or information it provides in product literature is accurate and correct. However due to the fact that illus do not have direct control on where and how the products are installed, illus illumination cannot accept any liability either direct or indirect arising from the use of illus products whether or not in accordance with any advice, specification, recommendation or information provided by illus illumination or its distributors.