



MOTION SENSORS



**BEYOND LIGHT..
TO THE LAST DETAILS!**

AREAS OF APPLICATION



Hospitality



Shopping Center



Commercial



Educational Center



TECHNICAL OPERATING & ELECTRICAL DATA

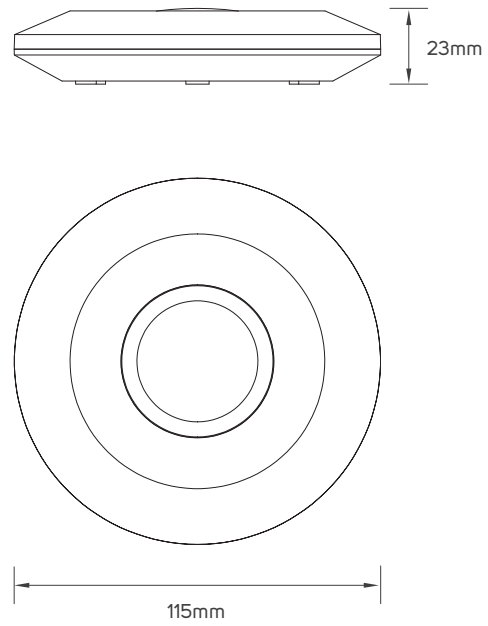
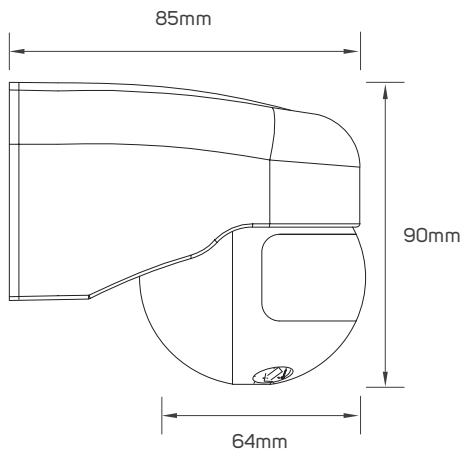
Body Color	White
Voltage	AC220-240V
Frequency	50/60Hz
Ambient Temperature	-5°C~35°C

SPECIFICATIONS

Code No.	Model No.	IP	Max. Load Watt	Body Material	Beam Angle
612786	ILSSW8P01	IP44	200W	Polycarbonate	180°
612787	ILSS6P01	IP20	200W	Polycarbonate	360°
612788	ILSS10M01	IP20	300W	Polycarbonate	360°x160°
612789	ILSS10M02	IP65	300W	Polycarbonate	360°x160°
612790	ILSSR6P01	IP20	200W	Polycarbonate	360°
612791	ILSSR5P01	IP20	150W	Polycarbonate	360°
612792	ILSSR10M01	IP20	300W	Polycarbonate	360°x160°
612793	ILSSU6P01	IP20	200W	ABS	100°

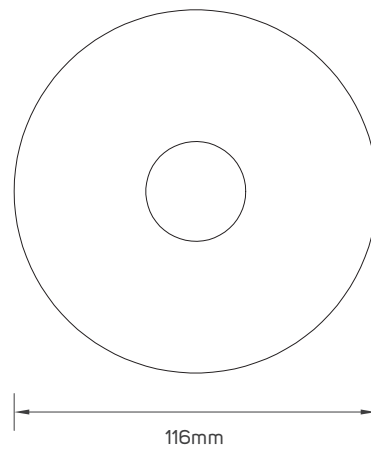
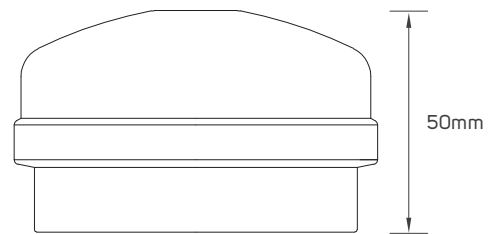
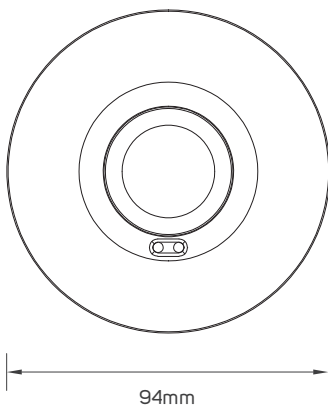
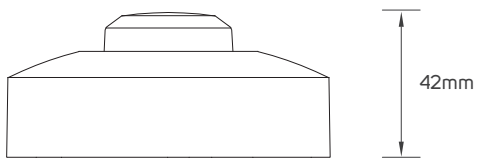
Code No.	Model No.	Detection Distance	Mounting Type
612786	ILSSW8P01	6~8 meter	Surface Wall-Mounted PIR Sensor
612787	ILSS6P01	max 6 meter	Surface-Mounted PIR Sensor
612788	ILSS10M01	2~10 meter	Surface-Mounted Microwave Sensor
612789	ILSS10M02	2~10 meter	Surface-Mounted Microwave Sensor
612790	ILSSR6P01	max 6 meter	Recessed Ceiling-Mounted PIR Sensor
612791	ILSSR5P01	3x5 meter	Recessed Ceiling-Mounted PIR Sensor
612792	ILSSR10M01	2~10 meter	Recessed Ceiling-Mounted Microwave Sensor
612793	ILSSU6P01	<6 meter	Motion Sensor

DIMENSIONS



612786

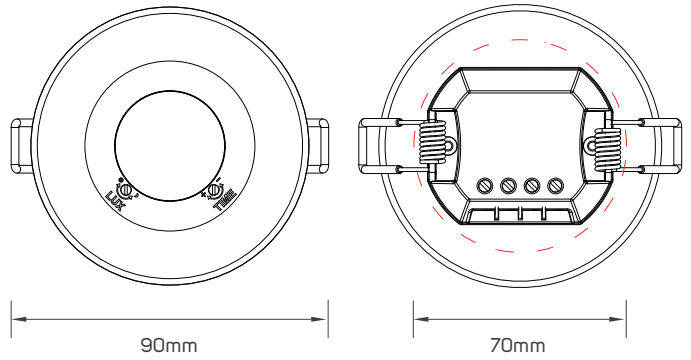
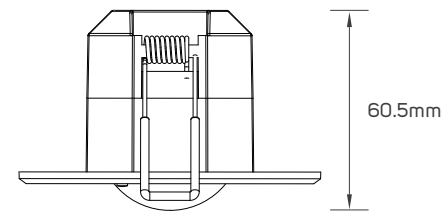
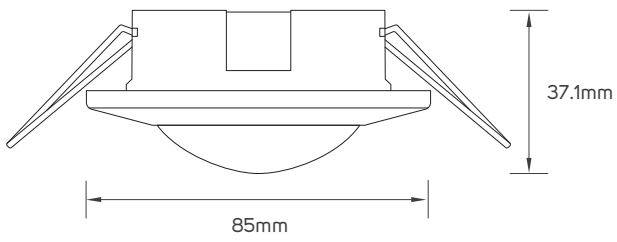
612787



612788

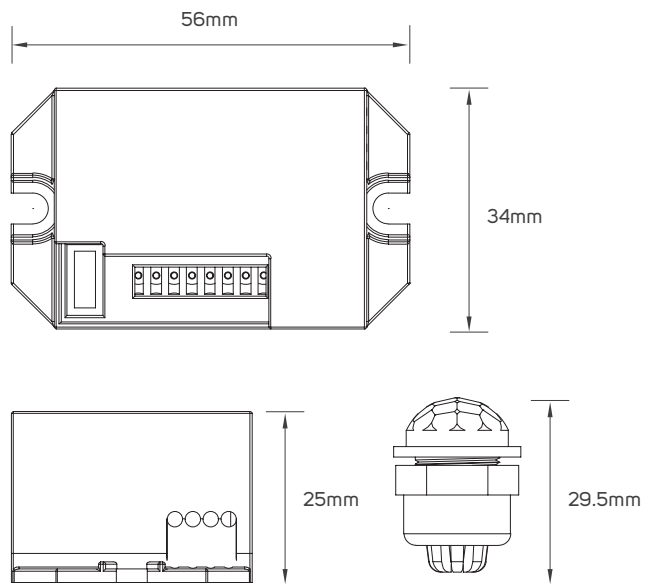
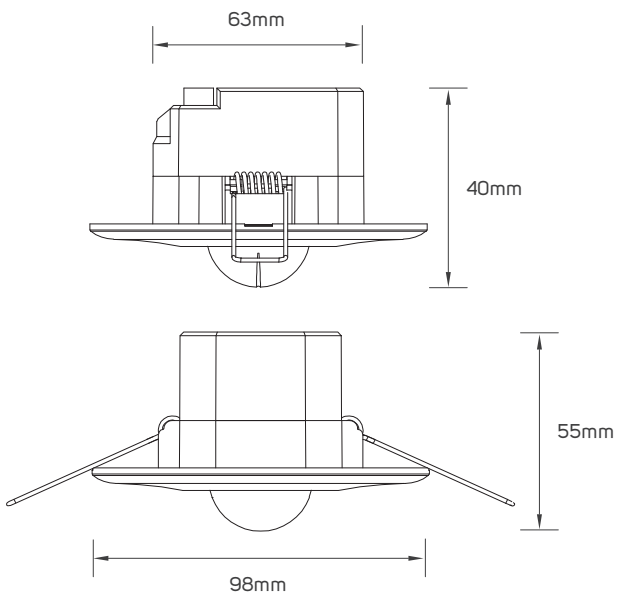
612789

DIMENSIONS



612790

612791



612792

612793

APPLICATION PICTURE



This image is for display purpose only, the image may differ from the actual product, as the product is subject to modification provided without prior notice.

**MOTION
SENSORS**

**BEYOND LIGHT..
TO THE LAST DETAILS!**

