



LED PRO

SPIKE PROJECTOR LUMINAIRE



**BEYOND LIGHT..
TO THE LAST DETAILS!**

AREAS OF APPLICATION



Industrial



Shopping Center



Garden



Commercial



Educational Center



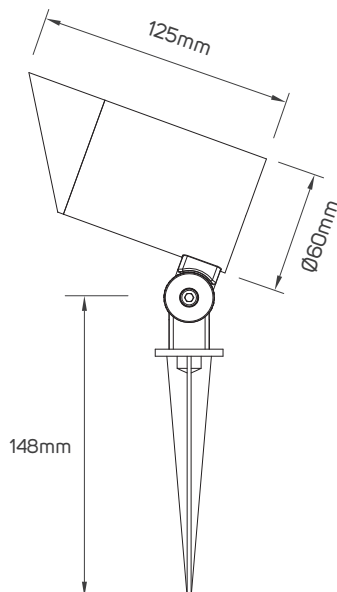
TECHNICAL OPERATING & ELECTRICAL DATA

IP Rating	IP65
Voltage	AC220-240V
Frequency	50/60Hz
Cap Type	MR11 & GU10
Mounting Type	Spike in ground & Surface Mounted
IEC Classification	Class I
Fixed or Adjustable	Adjustable
Ambient Temperature	-20°C~45°C
Dimming	Non-Dimmable

SPECIFICATION

Code No.	Model No.	Max. Wattage	Body color	Body Material
614211	ILSSPMOPJF04	Max.9W	Dark Grey	Aluminum

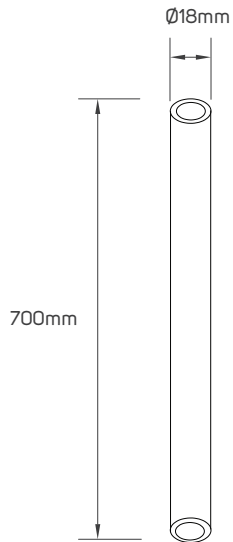
DIMENSION



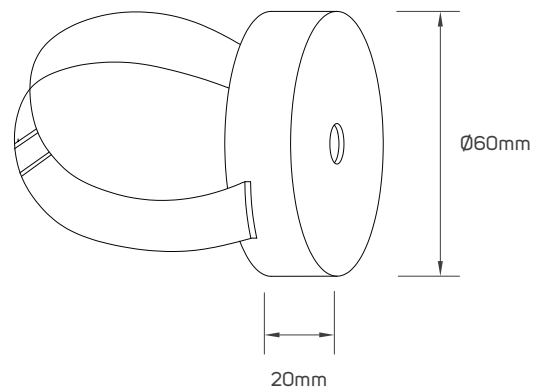
ACCESSORIES SPECIFICATIONS

Code No.	Model No.	Body color	Body Material
614209	ILSSMOPJEPF02	Dark Grey	Aluminum
614210	ILSSMOPJSTF03	Dark Grey	Stainless Steel
614212	ILSSMOPJBSF02	Dark Grey	Stainless Steel
614213	ILSSMOPJBSF03	Dark Grey	Stainless Steel

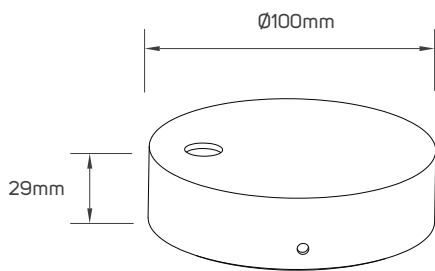
ACCESSORIES DIMENSIONS



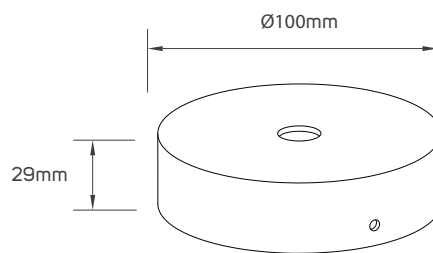
614209



614210



614212



614213

APPLICATION PICTURE



This image is for display purpose only, the image may differ from the actual product, as the product is subject to modification provided without prior notice.

SPIKE PROJECTOR LUMINAIRE

**BEYOND LIGHT..
TO THE LAST DETAILS!**



C/ Cuenca, 87, Alaquas 46970, (Valencia) Spain, Ph. 34 961 623 958

www.illuslighting.com

illus illumination reserve the right to make dimensional, design and technical alterations without prior notice. illus illumination endeavor to ensure that any advice, recommendation or information it provides in product literature is accurate and correct. However due to the fact that illus do not have direct control on where and how the products are installed, illus illumination cannot accept any liability either direct or indirect arising from the use of illus products whether or not in accordance with any advice, specification, recommendation or information provided by illus illumination or its distributors.