



SWITCHES & SOCKETS

ilict

AREAS OF APPLICATION



Hospitality



Shopping Center



Commercial



Educational Center

TECHNICAL OPERATING & ELECTRICAL DATA

Mounting Type	Recessed in Wall
Fixed or Adjustable	Fixed
Embedding Depth	22mm
Frame Material	Cold-roll Steel Sheets
Module Color	White
Frame Color	Grey

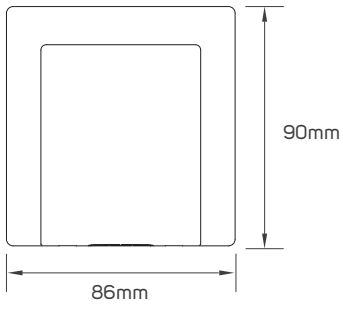
SPECIFICATIONS

Code No.	Model No.	Module Material	Contacts Material	Current Capacity	Body Color	Dimensions
532096	CABL-45A-2PW-So	PC/rass	brass	45A	white	86x90x16.5mm
532097	CABL-45A-2PG-So	PC/brass	brass	45A	gold	86x90x16.5mm
532098	CABL-45A-2PGR-So	PC/brass	brass	45A	grey	86x90x16.5mm
532099	CABL-45A-2PB-So	PC/brass	brass	45A	black	86x90x16.5mm
532100	1G-300W-2PW-SDIMM	PC/PCB electrical parts	/	1.3A	white	86x90x22.5mm
532101	1G-300W-2PG-SDIMM	PC/PCB electrical parts	/	1.3A	gold	86x90x22.5mm
532102	1G-300W-2PGR-SDIMM	PC/PCB electrical parts	/	1.3A	grey	86x90x22.5mm
532103	1G-300W-2PB-SDIMM	PC/PCB electrical parts	/	1.3A	black	86x90x22.5mm
532104	2G-USB+TC-2PW-So	PC/PCB electrical parts	/	3.1A	white	86x90x9.5mm
532105	2G-USB+TC-2PG-So	PC/PCB electrical parts	/	3.1A	gold	86x90x9.5mm
532106	2G-USB+TC-2PGR-So	PC/PCB electrical parts	/	3.1A	grey	86x90x9.5mm
532107	2G-USB+TC-2PB-So	PC/PCB electrical parts	/	3.1A	black	86x90x9.5mm
532108	1G-VDIMM-2PW-Sw	PC/PCB electrical parts	/	/	white	86x90x22.5mm
532109	1G-VDIMM-2PG-Sw	PC/PCB electrical parts	/	/	gold	86x90x22.5mm
532110	1G-VDIMM-2PGR-Sw	PC/PCB electrical parts	/	/	grey	86x90x22.5mm
532111	1G-VDIMM-2PB-Sw	PC/PCB electrical parts	/	/	black	86x90x22.5mm
532112	Shtr-2PW-Sw	PC/red copper/AgCdO	cold- roll steel sheets/brass	250V~16AX	white	86x90x15mm
532113	Shtr-2PG-Sw	PC/red copper/AgCdO	cold- roll steel sheets/brass	250V~16AX	gold	86x90x15mm
532114	Shtr-2PGR-Sw	PC/red copper/AgCdO	cold- roll steel sheets/brass	250V~16AX	grey	86x90x15mm
532115	Shtr-2PB-Sw	PC/red copper/AgCdO	cold- roll steel sheets/brass	250V~16AX	black	86x90x15mm

SPECIFICATIONS

Code No.	Model No.	Module Material	Contacts Material	Current Capacity	Body Color	Dimensions
532116	2G-USB+HDMI-2PW-So	PC/PA	/	/	white	86x90x9.5mm
532117	2G-USB+HDMI-2PG-So	PC/PA	/	/	gold	86x90x9.5mm
532118	2G-USB+HDMI-2PGR-So	PC/PA	/	/	grey	86x90x9.5mm
532119	2G-USB+HDMI-2PB-So	PC/PA	/	/	black	86x90x9.5mm
532120	1G-SENS-2PW-Sw	PC/PCB electrical parts	/	0.5A	white	86x90x16mm
532121	1G-SENS-2PG-Sw	PC/PCB electrical parts	/	0.5A	gold	86x90x16mm
532122	1G-SENS-2PGR-Sw	PC/PCB electrical parts	/	0.5A	grey	86x90x16mm
532123	1G-SENS-2PB-Sw	PC/PCB electrical parts	/	0.5A	black	86x90x16mm
532124	1G-SENS+LIG-2PW-Sw	PC/PCB electrical parts	/	0.005A	white	86x90x17.5mm
532125	1G-SENS+LIG-2PG-Sw	PC/PCB electrical parts	/	0.005A	gold	86x90x17.5mm
532126	1G-SENS+LIG-2PGR-Sw	PC/PCB electrical parts	/	0.005A	grey	86x90x17.5mm
532127	1G-SENS+LIG-2PB-Sw	PC/PCB electrical parts	/	0.005A	black	86x90x17.5mm
532128	WPB-2P-BLUE	/	/	/	blue	97x115x41mm

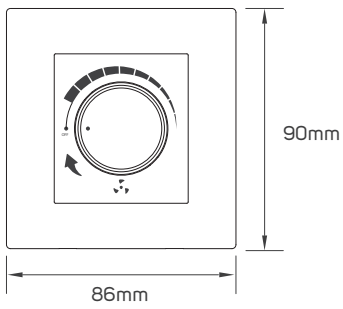
DIMENSIONS



532096 - 532097 - 532098 - 532099



532096 - 532097 - 532098 - 532099

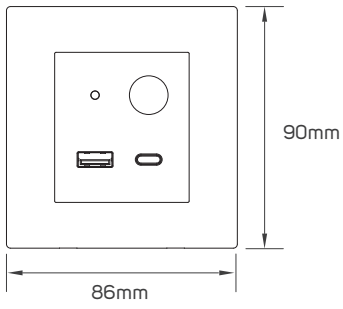


532100 - 532101 - 532102 - 532103



532100 - 532101 - 532102 - 532103

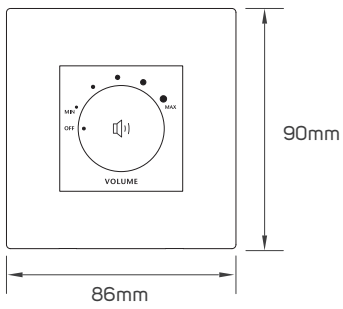
DIMENSIONS



532104 - 532105 - 532106 - 532107



532104 - 532105 - 532106 - 532107

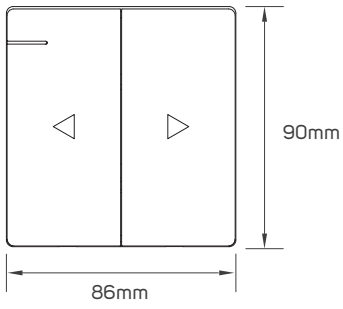


532108 - 532109 - 532110 - 532111



532108 - 532109 - 532110 - 532111

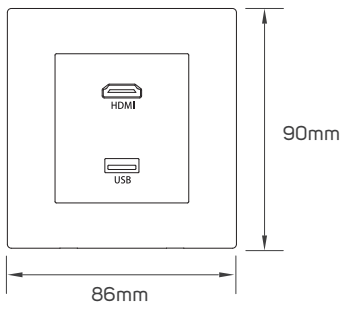
DIMENSIONS



532112 - 532113 - 532114 - 532115



532112 - 532113 - 532114 - 532115

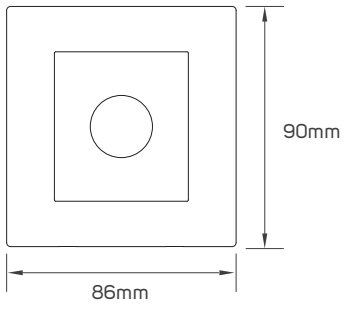


532116 - 532117 - 532118 - 532119



532116 - 532117 - 532118 - 532119

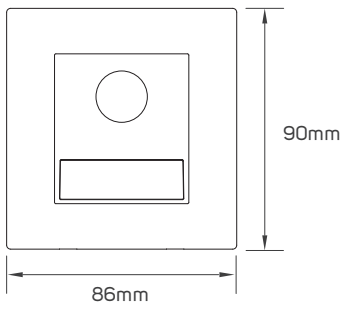
DIMENSIONS



532120 - 532121 - 532122 - 532123



532120 - 532121 - 532122 - 532123

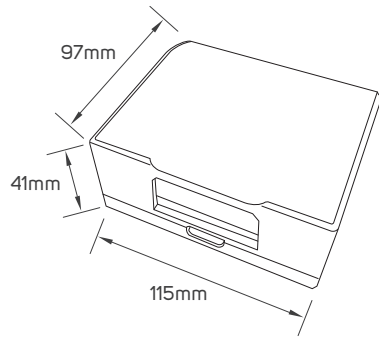


532124 - 532125 - 532126 - 532127



532124 - 532125 - 532126 - 532127

I DIMENSIONS



532128

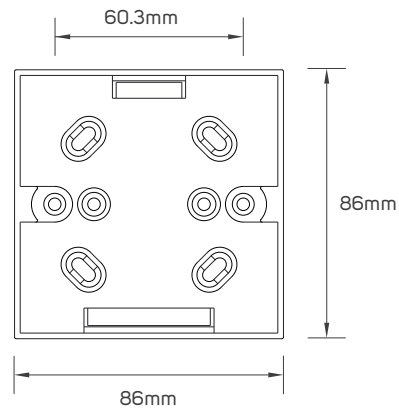
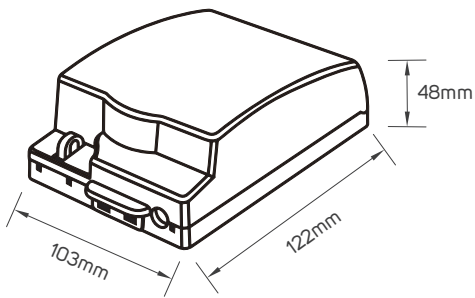


532128

ACCESSORIES SPECIFICATIONS

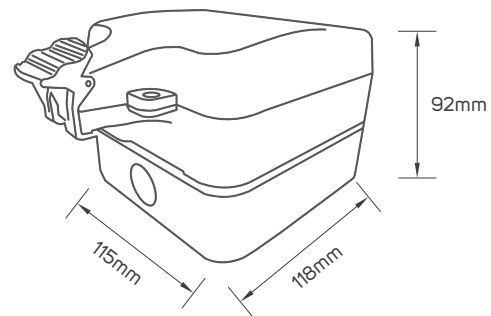
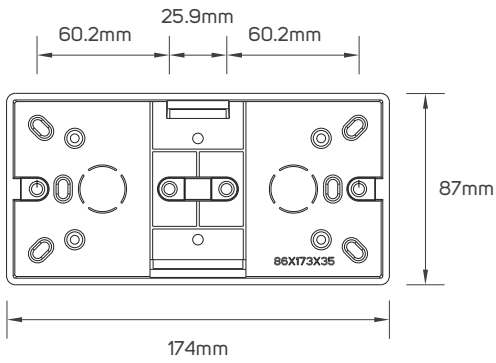
Code No.	Model No.	Body Color	Frame Material
532305	FJHWPBOX01	Transparent	Plastic
532306	MHSMBOX01	White	Plastic
532307	DHSMBOX01	White	Plastic
532309	FSHWPBOX01	Transparent	ABS

ACCESSORIES DIMENSIONS



532305

532306



532307

532309

APPLICATION PICTURE



SWITCHES & SOCKETS



Carrer de la Vall de la Ballestera, 64, 46015 València, Valencia, España, Tel: +34619824456

www.illusillumination.com

illus illumination reserve the right to make dimensional, design and technical alternations without prior notice. illus illumination endeavor to ensure that any advice, recommendation or information it provides in product literature is accurate and correct. However due to the fact that illus do not have direct control on where and how the products are installed, illus illumination cannot accept any liability either direct or indirect arising from the use of illus products whether or not in accordance with any advice, specification, recommendation or information provided by illus illumination or its distributors.