



LED PRO

Simply **Great** LED

LED CEILING LUMINAIRE SERIES

PRODUCT INFORMATION

- Suitable for entrances, lobbies, corridors and staircases.
- Affordable, reliable and energy efficient choice.
- ILLUS LED CEILING Luminaire gives the customer the flexibility to choose between 8 models based on their specific need with lumen package from 820 lm to 3400 lm.

BENEFITS

- Modern, unobtrusive design.
- Saves energy.
- Wide range of applications.

FEATURES

- High CRI>95.
- Efficacy up to 88 lm/w.
- Long life span 25,000 hrs.
- Operating voltage AC100-240V.
- Non – dimmable.
- PMMA cover & Resist UV light.



**BEYOND LIGHT..
TO THE LAST DETAILS!**

AREAS OF APPLICATION



Hospitality



Public indoor



Shopping Center



Commercial



Workplace



Educational Center



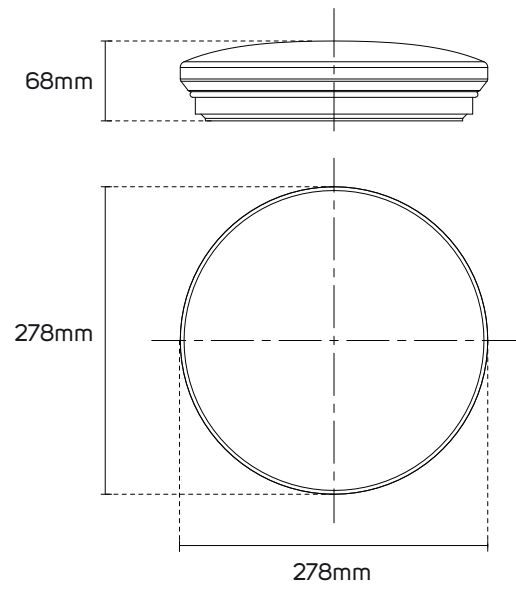
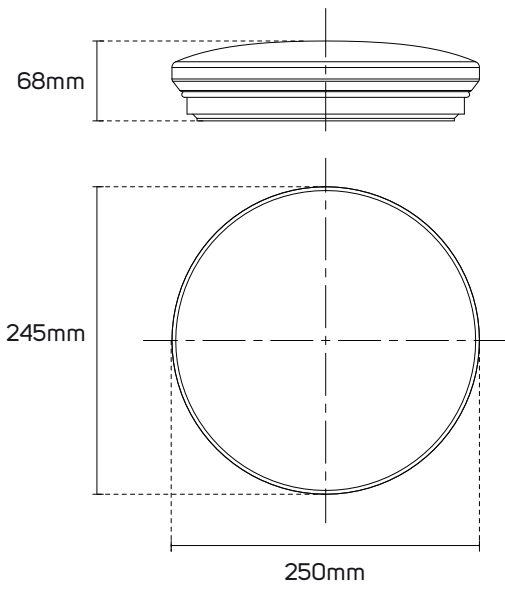
TECHNICAL OPERATING & ELECTRICAL DATA

Input Voltage & Frequency	AC100-240V, 50/60Hz
Beam Angle	125°
Rated CRI	95
Life Span	25,000h
Ingress Protection Rating	IP44
Dimming	Non-Dimmable
Ambient Temperature	-20°C~40°C
Switching Cycle ON/OFF	100,000x on/off
Body Color	White
Body Material	Plastic+Steel/ PMMA Cover & Resist UV Light

SPECIFICATIONS

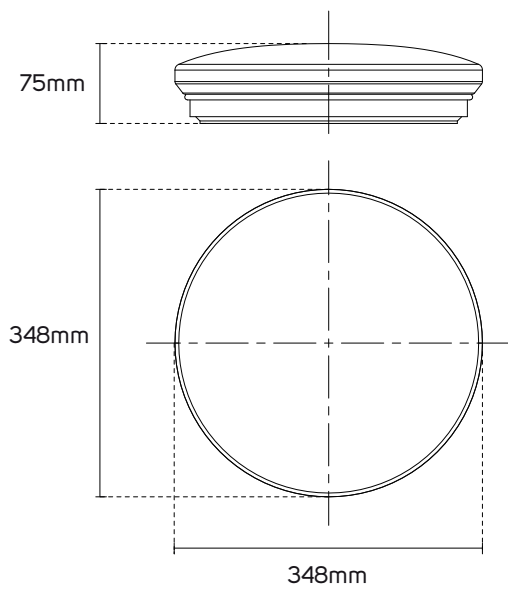
Code No.	Model No.	Power	CCT	Lumen	Efficacy
613994	ILS10SMCL9CCTW01	10W	3000K-5700K	820lm@3000K	82lm/W
613995	ILS16SMCL9CCTW01	16W	3000K-5700K	1400lm@3000K	87.50lm/W
613996	ILS21SMCL9CCTW01	21W	3000K-5700K	1800lm@3000K	85.71lm/W
613997	ILS40SMCL9CCTW01	40W	3000K-5700K	3400lm@3000K	85lm/W
613998	ILS10MSMCL9CCTW01	10W	3000K-5700K	820lm@3000K	82lm/W
613999	ILS16MSMCL9CCTW01	16W	3000K-5700K	1400lm@3000K	87.50lm/W
614000	ILS21MSMCL9CCTW01	21W	3000K-5700K	1800lm@3000K	85.71lm/W
614001	ILS40MSMCL9CCTW01	40W	3000K-5700K	3400lm@3000K	85lm/W

DIMENSIONS



613994 - 613998

613995 - 613999



613996 - 613997 - 614000 - 614001

APPLICATION IMAGE



This image is for display purpose only, the image may differ from the actual product, as the product is subject to modification provided without prior notice.

LED CEILING LUMINAIRE SERIES

**BEYOND LIGHT..
TO THE LAST DETAILS!**

