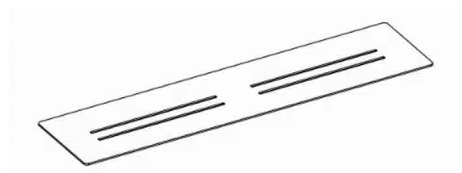
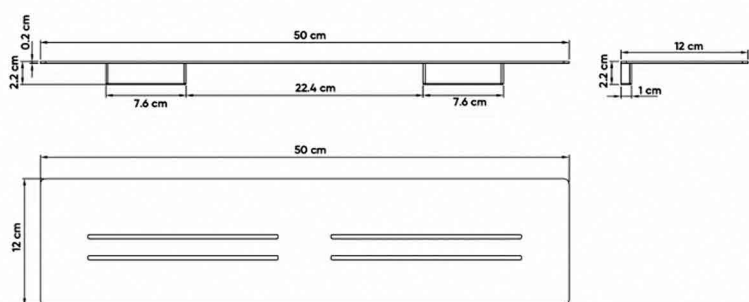
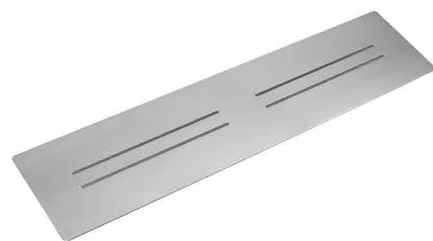


## HATCH ACCESSORIES

**Product Name: BATH SHELF**  
**Model Number: HAT-BS001-50S**



### AVAILABLE COLORS



**GLOSSY CHROME**  
SW-60196600



**MATTE BLACK**  
SW-60196601



**BRUSHED NICKEL**  
SW-60196602



**GLOSSY GOLD**  
SW-60196603



**BRUSHED GOLD**  
SW-60196604



**BLACK TITANIUM**  
SW-60196605

### DESCRIPTIONS

Material: Bath Shelf with Full Body Stainless Steel (SUS304)

### DIMENSIONS

331 x W 120 x 48 MM

### WARRANTY

2 years

### APPLICATIONS

Bathroom

### BOX COMPONENTS

Bath Shelf, fischer wall plug set and fixing screws with installation manual

### COUNTRY OF ORIGIN

Made in China for HATCH Sanitary



### HATCH SANITARY

Hatch Sanitary is a trademark owned by MHG

Old Al Kharj Road, Building No. 3533  
 Riyadh 14511 - 8305  
 Kingdom of Saudi Arabia

© info.mhg@marketing-home.com

☎ 800 122 2230