

80W Constant Voltage DALI2-LS Series

LS-80-24 DALI2 LI



☒ Approve



Features

- Class II, SELV, independent
- Input Voltage 220-240VAC
- Protections: SCP/OLP/OVP
- Power Factor >0.9
- Efficiency ≥87%
- Support DALI II, Push Dimming
- 5 years warranty

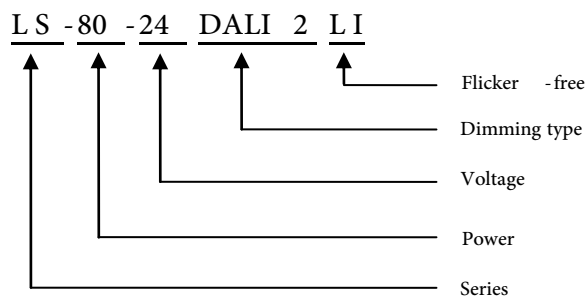
Applications

- LED strips
- Linear light
- Troffer light

Description

LS80-24 DALI2 LI is an 80W constant Voltage LED driver that operates from 176-264Vac input with 24V output voltage. With its compact dimensions from 290 x 45 x 30.5 mm it is easy to integrate in linear light and troffer light products. To ensure trouble-free operation, protection is provided against output short circuit and over Load.

Model code



80W Constant Voltage DALI2-LS Series

LS-80-24 DALI2 LI

Specification

Input	Rated input voltage	220 -240VAC
	Range of input voltage	176 -264VAC
	DC voltage range	176 -280V
	Frequency(Hz)	0/50/60 Hz
	Power Factor	> 0.9@220 -240VAC , full load
	Input Current max	0.62 A MAX. @Full Load,176VAC
	Start -up time	< 1 s
	Unload Power Consumption	≤0.5W
	Inrush Current	50A Max.
	THD	≤ 25% @Full Load, 240 VAC
	Leakage Current	< 0.5mA(240VAC)
	Output	Constant Voltage
Current Range		0 -3.3 3A
Rated power		80 W Max.
Voltage Accuracy		±5% @220 -240VAC
Voltage Regulation		± 1 % @Full Load
Load Regulation		≤ 2 %
Hold -up Time		1s max.@Full Load
Ripple& Noise *Note.2		≤ 0.24V p-p@Full Load,240VAC
Output LF current ripple(<120Hz)		≤± 1 % @Full Load,240VAC
Efficiency(Typ.)		≥87 %
Dimming	Dimmable	YES
	Dimming mode	DALI II, Push
	Dimming current range	1 %~100%
Protection	Over Load Protection	105%~150% Protection type: Auto Resume
	Over Voltage Protection	>25.2 VDC Protection type: Auto Resume
	Short circuit Protection	Protection type : Latch off, Auto recovery after power on
	Over Temperature protection	Protection type: Auto Resume
Environment	Operating Temperature	-20 ...+45
	tc	85
	Storage Temperature	-30 ...+65
	Temperature coefficient	± 0.03%/ (0 -45)
	Life time	> 44,000h@ta=45
	Humidity	20% -95%RH
Others	Dimension	290 X45X30.5 (LXWXH)mm
Safety & EMC	Safety standards	EN 61347 -1; EN61347 -2 -13; EN62384 ;
	Withstand voltage	Input -Output : 3750V/5mA/1min
	Isolation resistance	Input -Output : ≥4MΩ@500VDC
	EMI	EN55015; EN61000 -3 -2 Class C; EN 61000 -3 -3
	EMS	EN 61547; EN 61000 -4 -2; EN 61000 -4 -5 — 1000V;
Note	<p>1. All parameters NOT specially mentioned are measured at 240VAC input , full load and 25 of ambient temperature.</p> <p>2. Ripple & Noise are measured at 20MHz of bandwidth by using a 300mm twisted pair -wire terminated with a 0.1uF & 47 uF parallel capacitor.</p>	

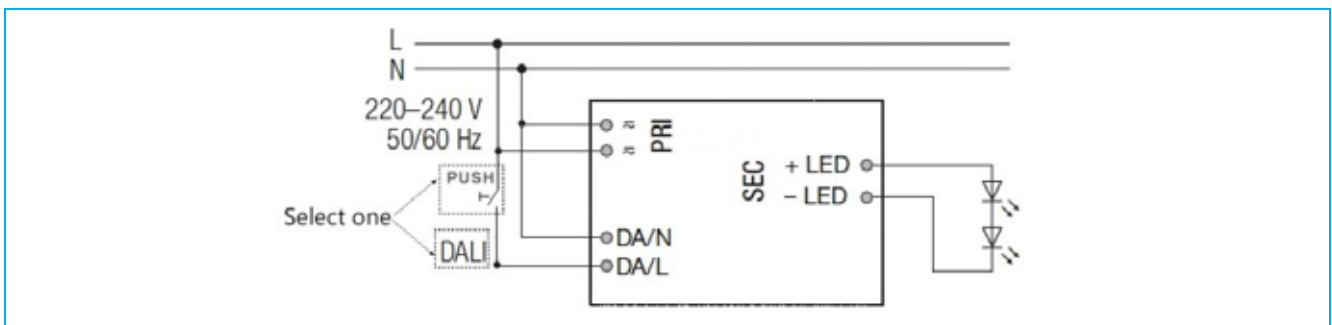
80W Constant Voltage DALI2-LS Series

LS-80-24 DALI2 LI

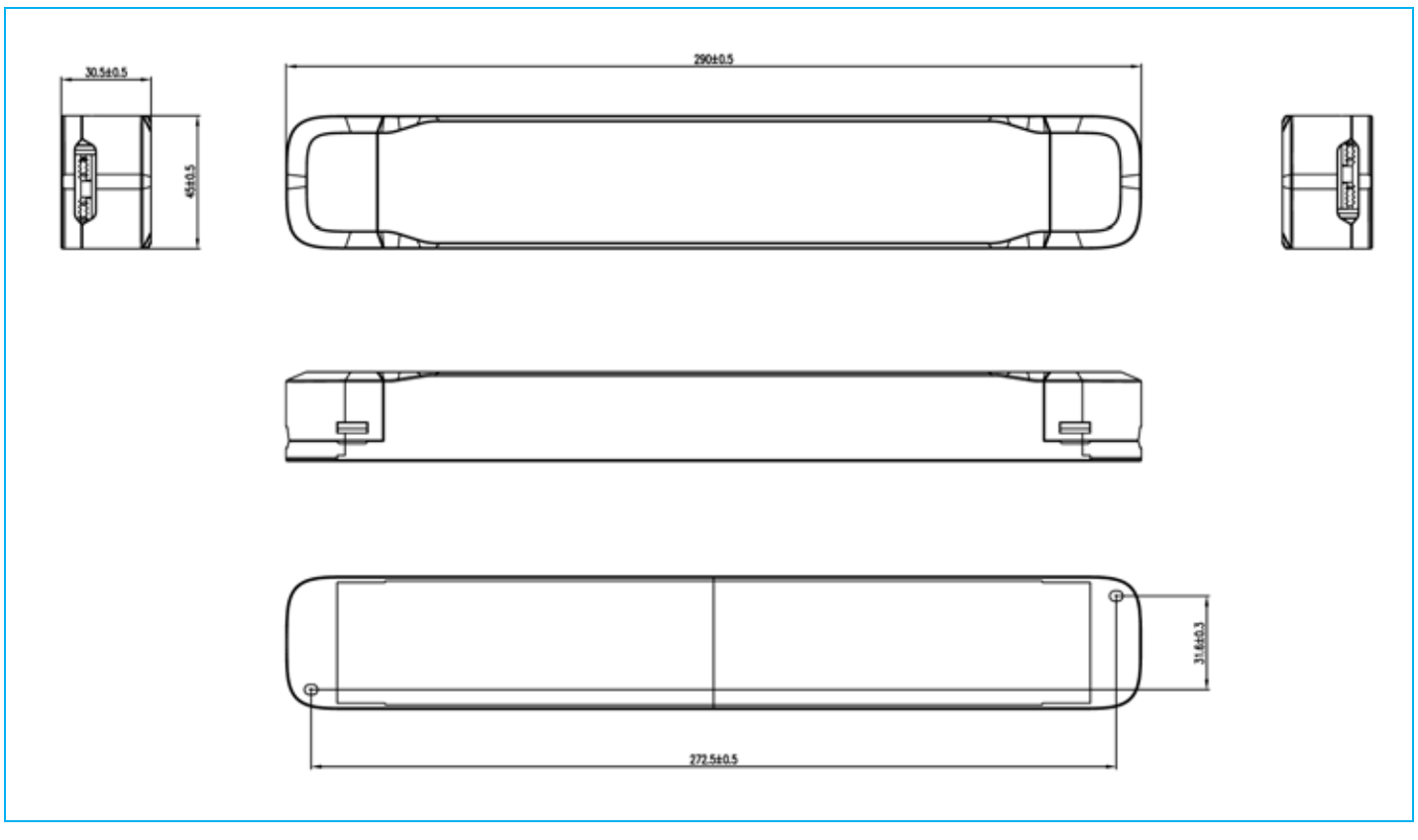
☒ Model list

No.	Model number	Input			Output		
		Voltage (VAC)	Max.Current (A)	Frequency (Hz)	Constant voltage (V)	Normal working current (A)	Max. Power(W)
1	LS -80 -24 DALI2 LI	220 -240	0.62	50/60	24	0 -3.33	80

☒ Wiring diagram



☒ 2D diagram



Operating window

