



# EMERGENCY BACK UP BATTERY SERIES

## PRODUCT INFORMATION

- Delivers emergency power to a wide range of LED fixtures.
- Supplies the connected fixture with 180 minutes of light, enabling sufficient visibility for occupants to safely exit the space.

## BENEFITS

- Available IP20 and IP65.
- Compatible with dimmable fixtures.

## FEATURES

- Provides 180 minutes of emergency light during power loss.
- 3 years warranty.



**BEYOND LIGHT..  
TO THE LAST DETAILS!**

## AREAS OF APPLICATION



Industrial



Garden



Commercial

## TECHNICAL OPERATING & ELECTRICAL DATA

Input Voltage & Frequency

AC220-240V, 50/60Hz

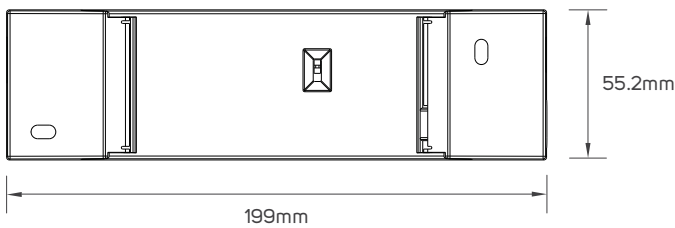
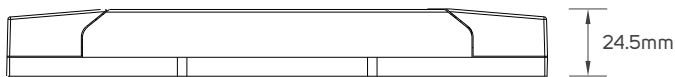
Warranty Period

36 Months

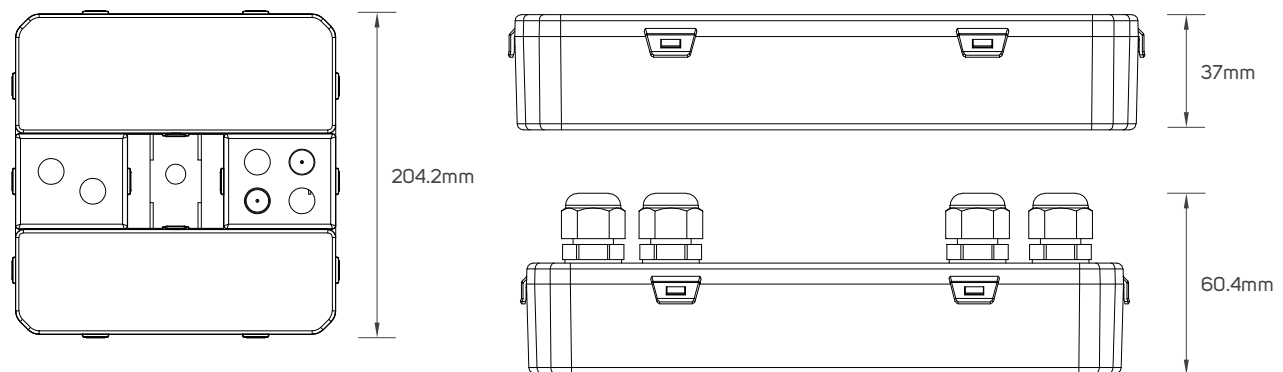
## SPECIFICATIONS

Code No.	Model No.	Body Color	Body Material	IP Rating
615349	ILS2.5WEMGBT01	White	PC	IP20
615350	ILS10WHBEMGBT01	Black	PC	IP65

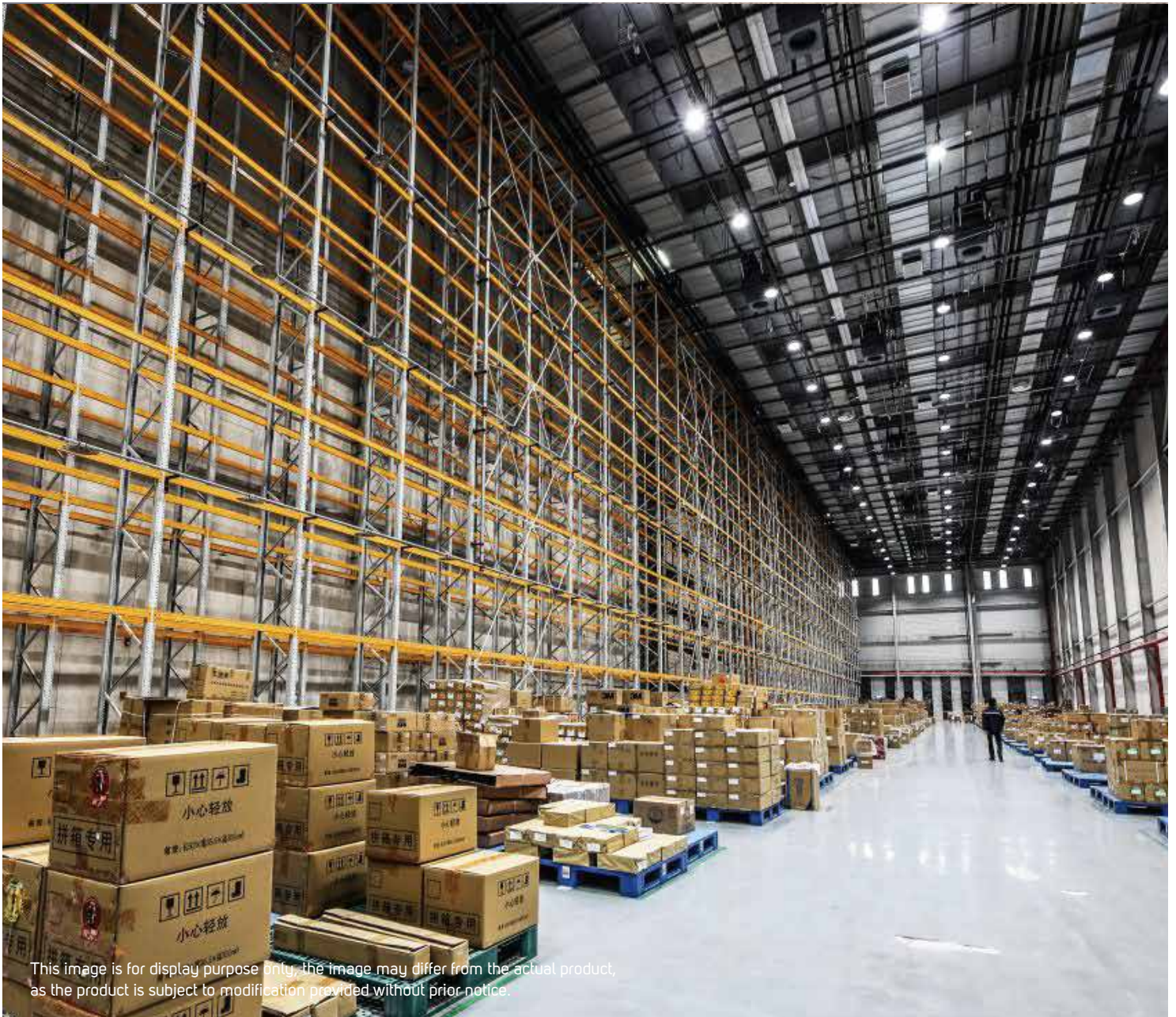
## DIMENSIONS



615349



615350



This image is for display purpose only, the image may differ from the actual product, as the product is subject to modification provided without prior notice.

# EMERGENCY BACK UP BATTERY SERIES

BEYOND LIGHT..  
TO THE LAST DETAILS!

