

LED PRO

Simple & Flexible Solution

LED FLEXIBLE NEON FLEX LINEAR LIGHT

PRODUCT INFORMATION

- Excellent LED strips with professional design to guarantee lighting performance.
- It not only ensures high quality of lighting color consistency but also protects products against from harsh environment.
- ILLUS LED FLEXIBLE NEON FLEX LINEAR Light gives the customer the flexibility to choose based on their specific need.

BENEFITS

- Vivid light color.
- Less maintenance cost and less concerns.

FEATURES

- Input voltage DC5V.
- Dimmable.
- RGB Chasing.



**BEYOND LIGHT..
TO THE LAST DETAILS!**

AREAS OF APPLICATION



Hospitality



Shopping Center



Commercial



Educational Center

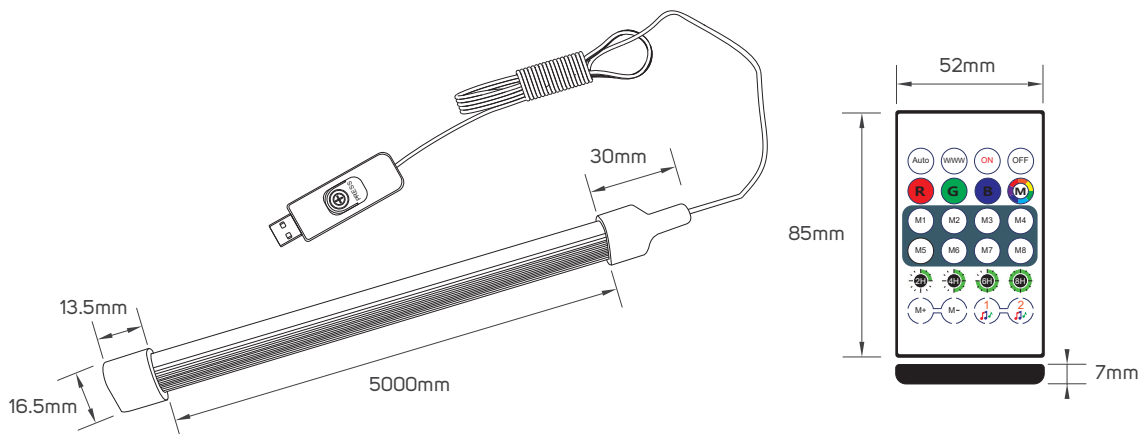
TECHNICAL OPERATING & ELECTRICAL DATA

Current	78mA
Rated Power	8W/M
Power Factor	0.46
Beam Angle	120°
Dimming	Dimmable
IP Rating	IP20
Ambient Temperature	-20°C~45°C
Input Voltage	DC5V
Lifespan	30000H
Switching Cycle	50000x on/off
Warranty Period	24 Months

SPECIFICATIONS

Code No.	Model No.	Body Color	Body Material	CCT
LI615578	ILS2.5LVNFRGB01	White	PVC	RGBW

DIMENSIONS



LI615578

APPLICATION PICTURE



This image is for display purpose only, the image may differ from the actual product, as the product is subject to modification provided without prior notice.

LED FLEXIBLE NEON FLEX LINEAR LIGHT

**BEYOND LIGHT..
TO THE LAST DETAILS!**



C/ Cuenca, 87, Alaquas 46970, (Valencia) Spain, Ph. 34 961 623 958

www.illuslighting.com

illus illumination reserve the right to make dimensional, design and technical alternations without prior notice. illus illumination endeavor to ensure that any advice, recommendation or information it provides in product literature is accurate and correct. However due to the fact that illus do not have direct control on where and how the products are installed, illus illumination cannot accept any liability either direct or indirect arising from the use of illus products whether or not in accordance with any advice, specification, recommendation or information provided by illus illumination or its distributors.