



**LED PRO**

## **SURFACE MOUNTED LUMINAIRE**



**BEYOND LIGHT..  
TO THE LAST DETAILS!**

## AREAS OF APPLICATION



Hospitality



Shopping Center



Commercial



Educational Center



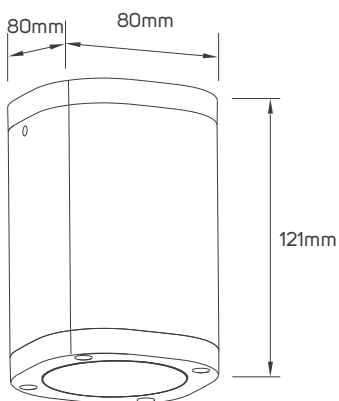
## TECHNICAL OPERATING & ELECTRICAL DATA

IP Rating	IP54
Voltage & Frequency	AC220-240V, 50/60Hz
Cap Type	GU10
Mounting Type	Mounted on Ceiling
Ambient Temperature	-20°C-45°C
IK Rating	IK08
Dimming	Non-Dimmable
Warranty Period	24 Months

## SPECIFICATIONS

Code No.	Model No.	Body Color	Body Material	Max. Wattage
621025	ILSFSMOCF02	Matt Black	Aluminum	Max.9W
621026	ILSFSMOCF02	White	Aluminum	Max.9W
613321	ILSFSMOCF02	Dark Grey	Aluminun	Max.9W

## DIMENSIONS



621025 - 621026 - 613321



**SURFACE  
MOUNTED  
LUMINAIRE**

**BEYOND LIGHT..  
TO THE LAST DETAILS!**

