



SURFACE MOUNTED LUMINAIRE



**BEYOND LIGHT..
TO THE LAST DETAILS!**

AREAS OF APPLICATION



Hospitality



Shopping Center



Commercial



Educational Center



TECHNICAL OPERATING & ELECTRICAL DATA

IEC Classification	Class I
Body Material	Aluminum
Voltage	AC220-240V
Frequency	50/60Hz
Maximum Bulb Wattage	Max.20W
Cap Type	GU10
Mounting Type	Surface-mounted on Ceiling
Directional or Non Directional	Directional

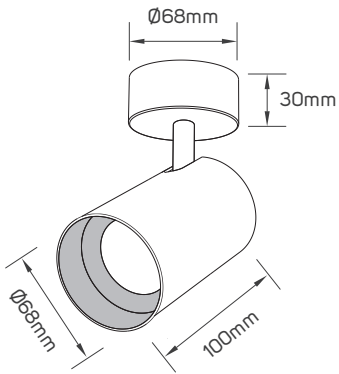
SPECIFICATIONS

Code No.	Model No.	Body Color	IP Rating	Lamp Holder Quantity
611521	ILSASMCF01	White+Black	IP20	1 holder
611522	ILSASMCF01	Black	IP20	1 holder
611527	ILSASMCF03	White+Black	IP20	1 holder
611528	ILSASMCF03	Black	IP20	1 holder
611529	ILSASMCF04	White+Black	IP20	2 holders
611530	ILSASMCF04	Black	IP20	2 holders
611531	ILSASMCF05	White+Black	IP20	3 holders
611532	ILSASMCF05	Black	IP20	3 holders
611533	ILSASMCF06	White+Black	IP20	1 holder
611534	ILSASMCF06	Black	IP20	1 holder
611541	ILSASMCF07	White+Black	IP20	1 holder
611542	ILSASMCF07	Black	IP20	1 holder
611987	ILSFSMCF01	White+Black	IP20	1 holder
611988	ILSFSMCF01	Black	IP20	1 holder
611989	ILSFSMCF02	White+Black	IP20	1 holder
611990	ILSFSMCF02	Black	IP20	1 holder
611991	ILSFSMCF03	White+Black	IP20	1 holder
611992	ILSFSMCF03	Black	IP20	1 holder
611993	ILSFSMCF04	White+Black	IP20	2 holders
611994	ILSFSMCF04	Black	IP20	2 holders

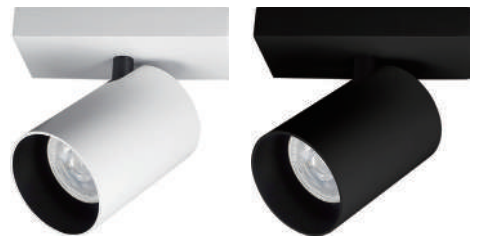
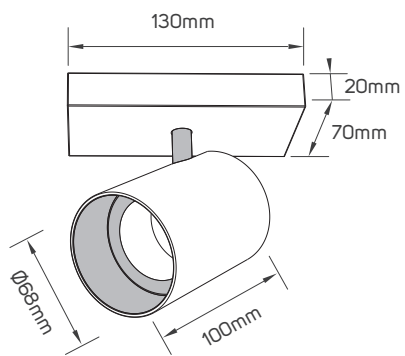
SPECIFICATIONS

Code No.	Model No.	Body Color	IP Rating	Lamp Holder Quantity
611995	ILSFSMCF05	White+Black	IP20	2 holders
611996	ILSFSMCF05	Black	IP20	2 holders
611997	ILSASMCF08	White+Black	IP20	1 holder
611998	ILSASMCF08	Black	IP20	1 holder
612017	ILSFSMCF06	White+Black	IP20	1 holder
612018	ILSFSMCF06	Black	IP20	1 holder
612023	ILSASMCF13	White+Black	IP20	1 holder
612024	ILSASMCF13	Black	IP20	1 holder
612067	ILSFSMOCF01	White	IP65	1 holder
612068	ILSFSMOCF01	Black	IP65	1 holder

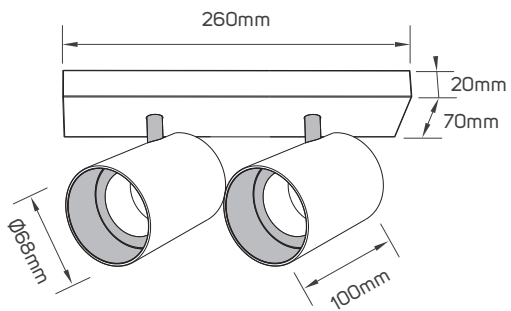
DIMENSIONS



611521 - 611522

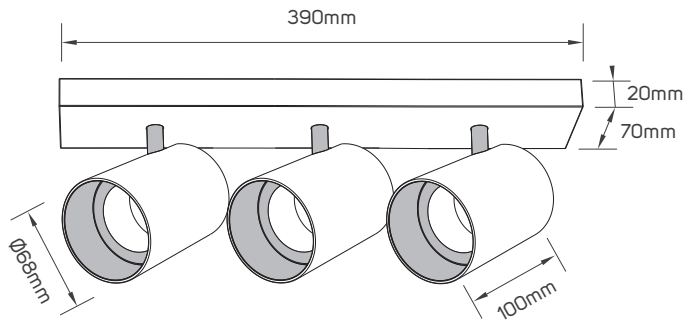


611527 - 611528

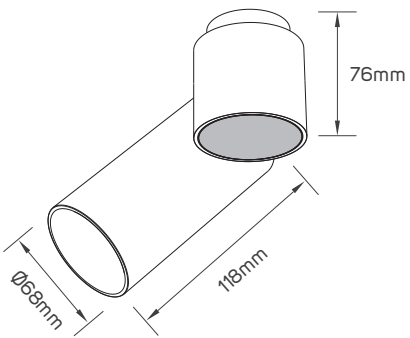


611529 - 611530

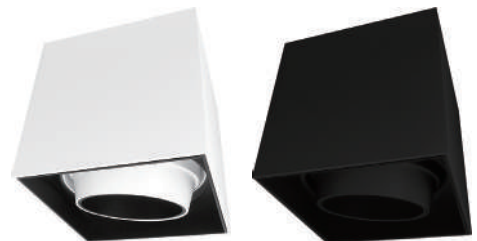
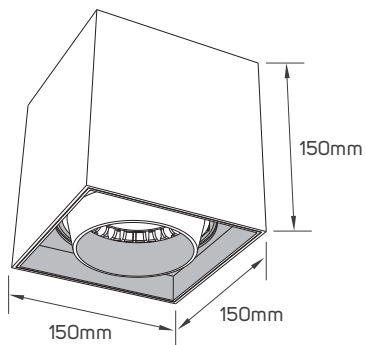
DIMENSIONS



611531 - 611532

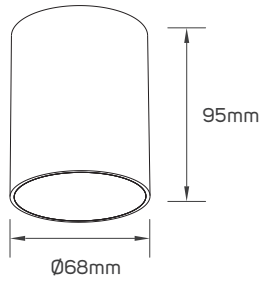


611533 - 611534

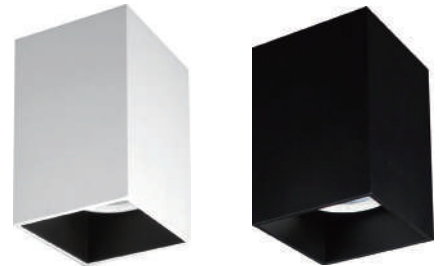
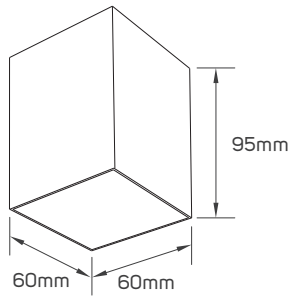


611541 - 611542

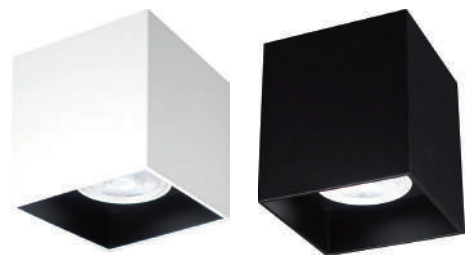
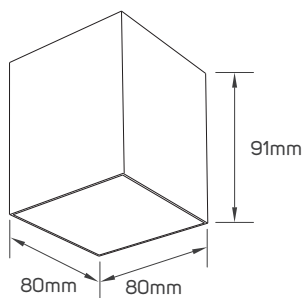
DIMENSIONS



611987 - 611988

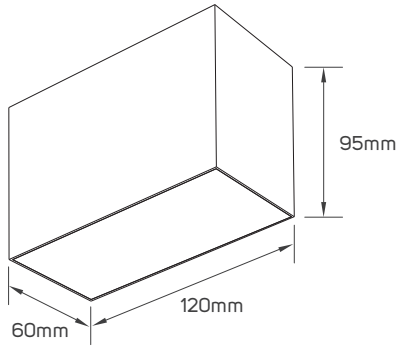


611989 - 611990

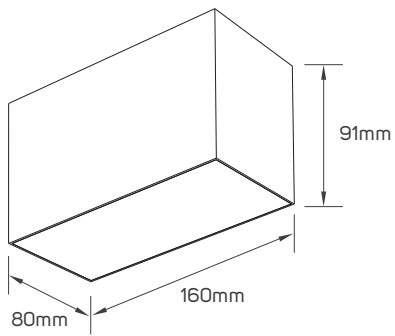


611991 - 611992

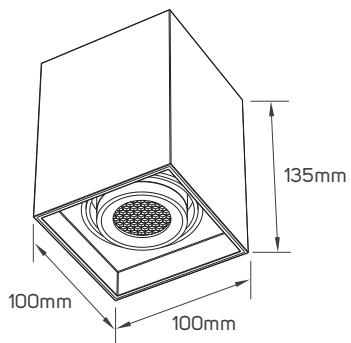
DIMENSIONS



611993 - 611994

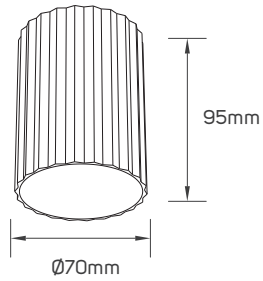


611995 - 611996

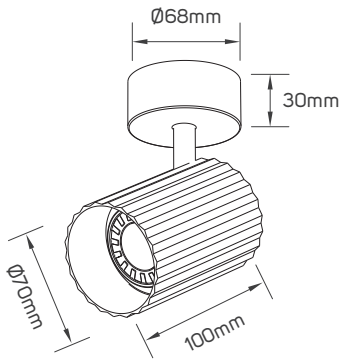


611997 - 611998

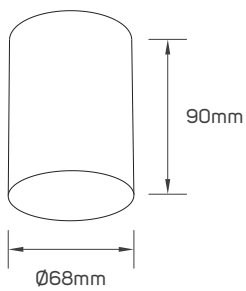
DIMENSIONS



612017 - 612018



612023 - 612024

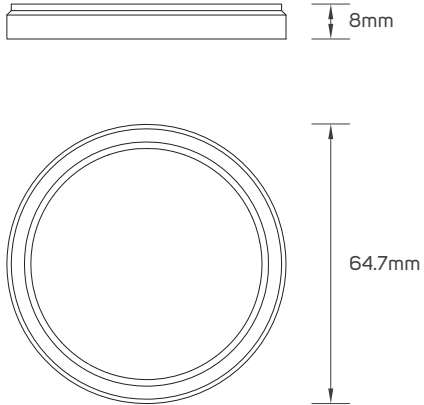


612067 - 612068

ACCESSORY SPECIFICATION

Code No.	Model No.	Body Color	Body Material
612445	ILSFHCF01	Black	Aluminum+Plastic

ACCESSORY DIMENSION



612445

APPLICATION PICTURE



This image is for display purpose only, the image may differ from the actual product, as the product is subject to modification provided without prior notice.

SURFACE MOUNTED LUMINAIRE

**BEYOND LIGHT..
TO THE LAST DETAILS!**

