



SURFACE MOUNTED LUMINAIRE



**BEYOND LIGHT..
TO THE LAST DETAILS!**

AREAS OF APPLICATION



Hospitality



Shopping Center



Commercial



Educational Center



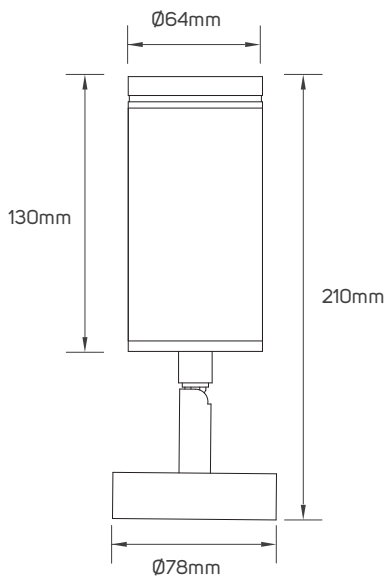
TECHNICAL OPERATING & ELECTRICAL DATA

IP Rating	IP65
Voltage & Frequency	AC220-240V, 50/60Hz
IEC Classification	Class I
Ambient Temperature	-20°C~45°C
Dimming	Non-Dimmable
Warranty Period	36 Months

SPECIFICATIONS

Code No.	Model No.	Body Color	Body Material	Max. Wattage	Cap Type	IK Rating
521215	ILSFSMOCF03	Matt white	Aluminum+Glass	Max.9W	GU10	IK06
521216	ILSFSMOCF03	Matt black	Aluminum+Glass	Max.9W	GU10	IK06

DIMENSIONS



521215 - 521216

APPLICATION PICTURE



This image is for display purpose only, the image may differ from the actual product, as the product is subject to modification provided without prior notice.

SURFACE MOUNTED LUMINAIRE

**BEYOND LIGHT..
TO THE LAST DETAILS!**

