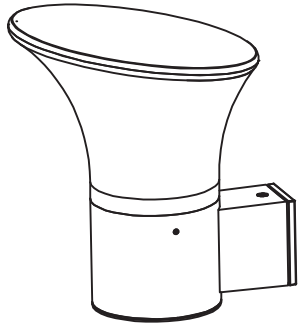
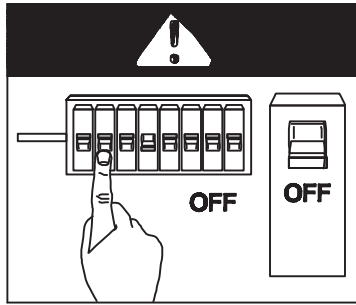


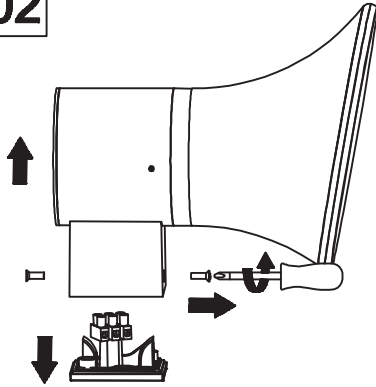
OUTDOOR



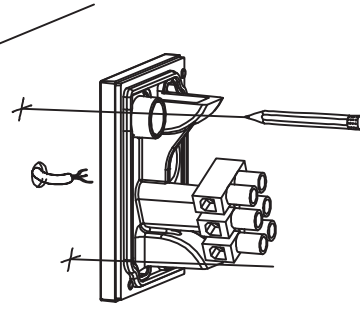
01



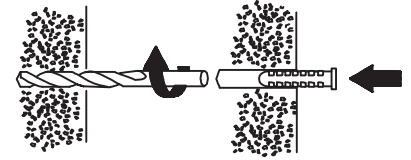
02



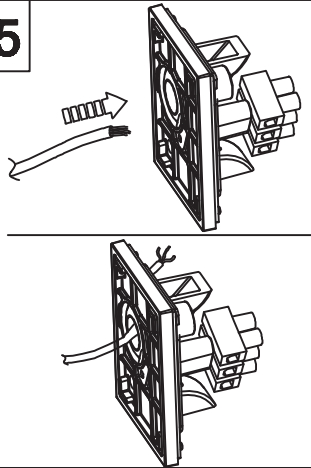
03



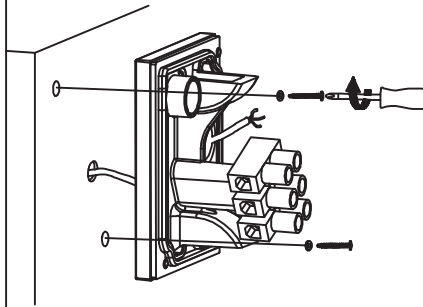
04



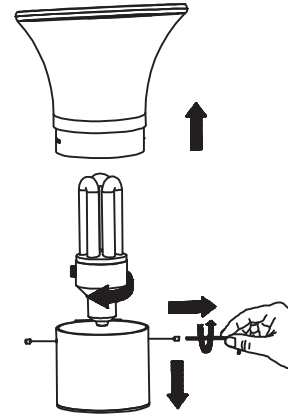
05



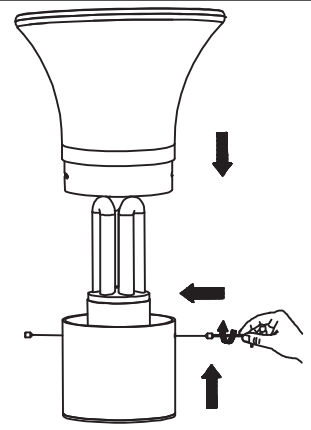
06



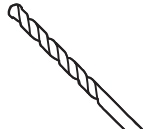
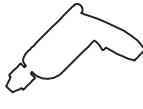
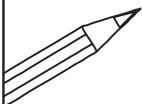
07



08

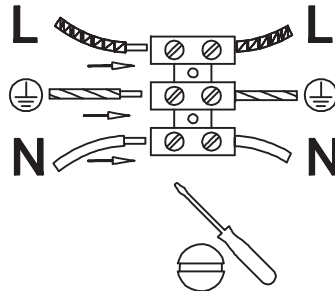


You will need

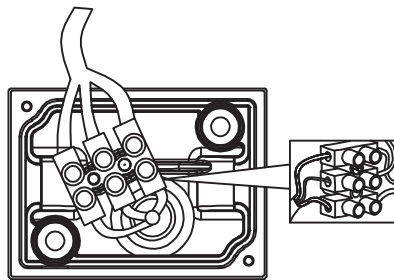


09

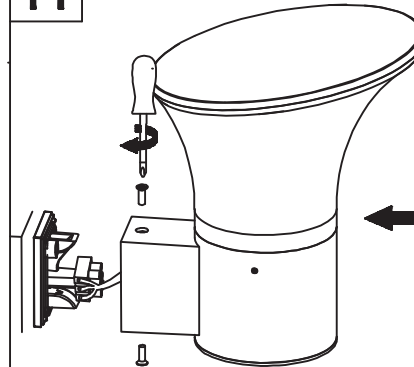
L= Brown or Red
N= Blue
⊕=Green/Yellow



10



11



12

