

LED **PRO**

# LED TABLE LAMP LUMINAIRE SERIES

## PRODUCT INFORMATION

- Adaptable and energy-efficient lighting solution perfect for a wide range of spaces.
- Equipped with long-lasting LED technology.
- Offered in diverse styles and designs, ideal for bedrooms, living rooms, offices, and other areas.
- The ilict LED table luminaire is offering flexibility to match specific lighting needs and design preferences.

## BENEFITS

- Provides enhanced energy efficiency, reducing power consumption significantly relative to incandescent and halogen lighting technologies.
- Engineered for extended operational lifespan, commonly rated at 30,000 hours or more under standard usage conditions.
- Emits a targeted beam of light designed for precision tasks such as reading, writing, or hobby work, thereby reducing ocular strain and enhancing cognitive focus."

## FEATURES

- High CRI $\geq$ 80.
- Lifespan 30,000H.
- Operating Voltage AC220-240V.
- Non-Dimmable



## AREAS OF APPLICATION



Hospitality



Shopping Center



Commercial



Educational Center

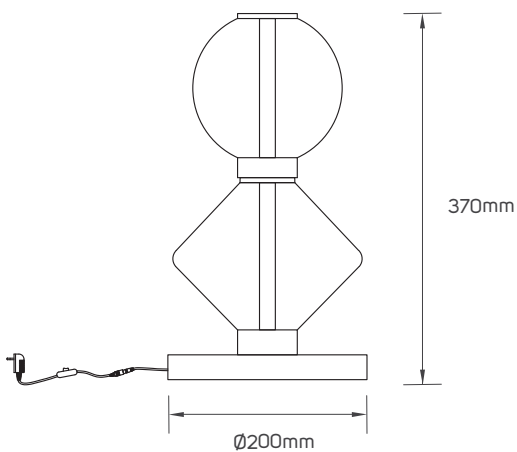
## TECHNICAL OPERATING & ELECTRICAL DATA

Body Material	Metal + Glass
Color Temperature	3000K
Rated CRI	≥80
Voltage & Frequency	AC220-240V, 50/60Hz
Ambient Temperature	-20°C~45°C
IP Rating	IP20
IES Classification	Class II
Dimming	Non-Dimmable
Switching Cycle	100000x on/off
Lifespan	30,000H
Warranty Period	36 Months

## SPECIFICATIONS

Code No.	Model No.	Body Color	Wattage	D.F	P.F	Current
LI661689	ILT6DTL930BRP01	Brass + Pink	8W	0.9	0.61	60mA

## DIMENSIONS

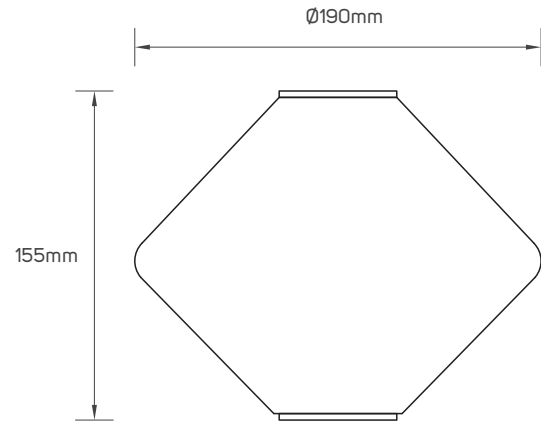
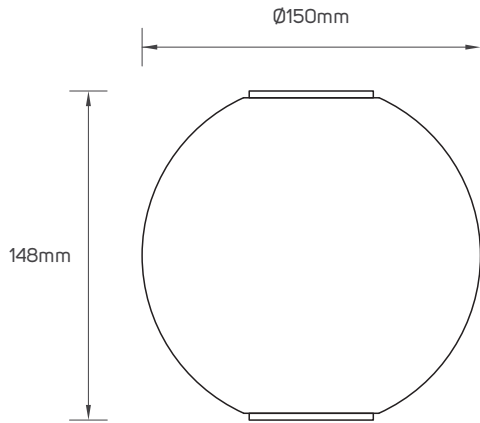


LI661689

## ACCESSORIES SPECIFICATIONS

Code No.	Model No.	Body Color	Body Material	IP Rating
LI661689GS1	ILT6DTL930BRPGS1	Pink	Glass	IP20
LI661689GS2	ILT6DTL930BRPGS2	Pink	Glass	IP20

## ACCESSORIES DIMENSIONS



LI661689GS1

LI661689GS2

## APPLICATION PICTURE



This image is for display purpose only, the image may differ from the actual product, as the product is subject to modification provided without prior notice.

## LED TABLE LAMP LUMINAIRE SERIES

**BEYOND LIGHT..  
TO THE LAST DETAILS!**



build-station



lighting stores



illus lighting

C/ Cuenca, 87, Alaquas 46970, (Valencia) Spain, Ph. 34 961 623 958

[www.illusillumination.com](http://www.illusillumination.com)

illus illumination reserve the right to make dimensional, design and technical alternations without prior notice. illus illumination endeavor to ensure that any advice, recommendation or information it provides in product literature is accurate and correct. However due to the fact that illus do not have direct control on where and how the products are installed, illus illumination cannot accept any liability either direct or indirect arising from the use of illus products whether or not in accordance with any advice, specification, recommendation or information provided by illus illumination or its distributors.