



LED PRO

SPIKE PROJECTOR LUMINAIRE SERIES



BEYOND LIGHT..
TO THE LAST DETAILS!

AREAS OF APPLICATION



Industrial



Shopping Center



Garden



Commercial



Educational Center



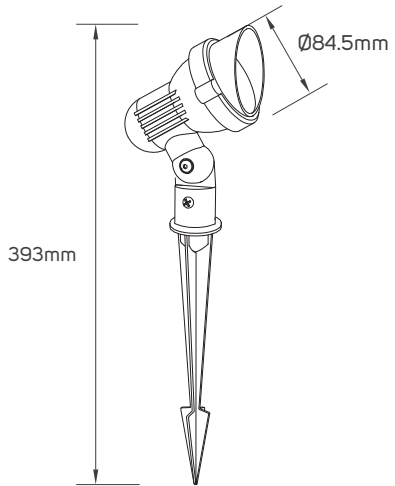
TECHNICAL OPERATING & ELECTRICAL DATA

IP Rating	IP65
Voltage & Frequency	AC220-240V, 50/60Hz
IEC Classification	Class I
Ambient Temperature	-20°C~45°C
Dimming	Non-Dimmable
Warranty Period	36 Months

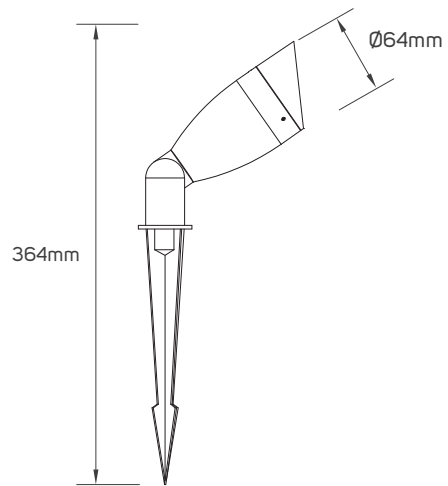
SPECIFICATIONS

Code No.	Model No.	Body color	Body Material	Max. Wattage	Cap Type	IK Rating
521212	ILSSPMOPJF04	Dark Grey	Aluminum+Glass	Max. 9W	GU10	IK10
521235	ILSSPMOPJF05	Dark Grey	Aluminum+Glass	Max. 9W	GU10	IK06
613993	ILSSPMOPJF10	Dark Grey	Aluminum+Glass	Max. 9W	GU10	IK08

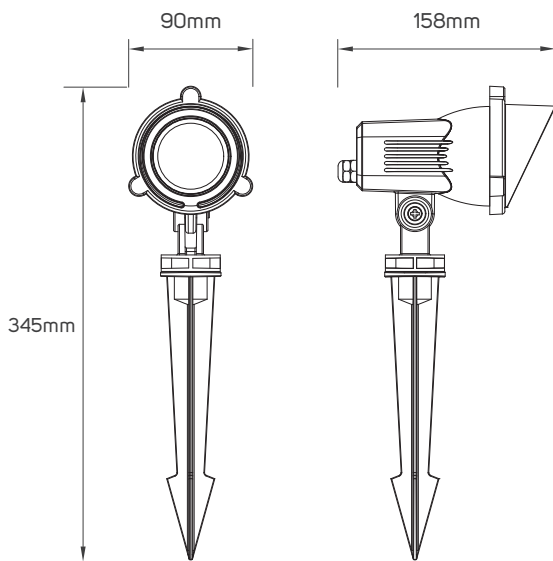
DIMENSIONS



521212



521235



613993

APPLICATION PICTURE



This image is for display purpose only, the image may differ from the actual product, as the product is subject to modification provided without prior notice.

SPIKE PROJECTOR LUMINAIRE SERIES

**BEYOND LIGHT..
TO THE LAST DETAILS!**

