



Make your boundaries Stand Out

LED SURFACE-MOUNTED LUMINAIRE (PROJECTOR) SERIES

PRODUCT INFORMATION

- Surface mounted, exterior-rated and compact sized architectural LED edge lighting luminaire that is designed for façade and outdoor decorative lighting applications.
- Ideal for edges lighting on windows and doors inner frames, building façades, landmarks and monuments.
- ILLUS LED SURFACE-MOUNTED Luminaire (PROJECTOR) gives the customer the flexibility to choose between 4 models based on their specific need with lumen package from 754lm to 1500lm.

BENEFITS

- Unique optical distribution to highlight the inner frames or outer edges of windows, balconies or doors.
- Compact size.
- Light weight.
- Equipped with surge protective function.

FEATURES

- High CRI>80.
- Operating voltage AC220-240V.
- Non-Dimmable.
- Good Impact Rating.



**BEYOND LIGHT..
TO THE LAST DETAILS!**

AREAS OF APPLICATION



Industrial



Shopping Center



Garden



Commercial



Educational Center



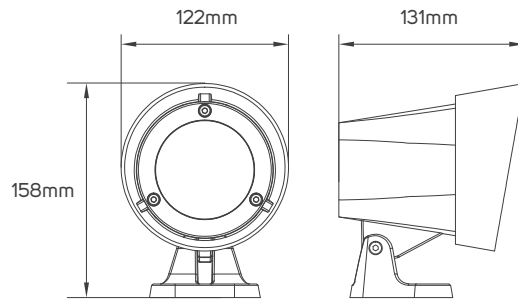
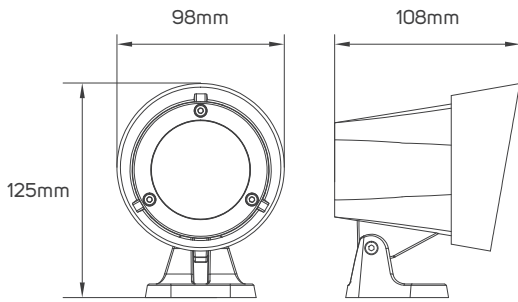
TECHNICAL OPERATING & ELECTRICAL DATA

Body Color	Dark Grey
Body Material	Aluminum
IP Rating	IP65
Voltage & Frequency	AC220-240V, 50/60Hz
CCT	3000K
Dimming	Non-Dimmable
IK Rating	IK10
IEC Classification	Class I
Lifespan	30000H
Switching Cycle	15000H
Warranty Period	36 Months

SPECIFICATIONS

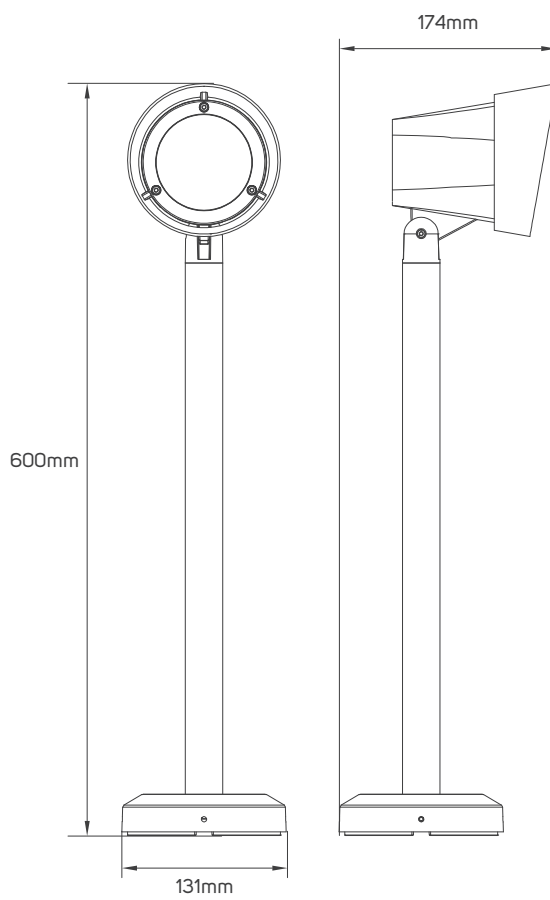
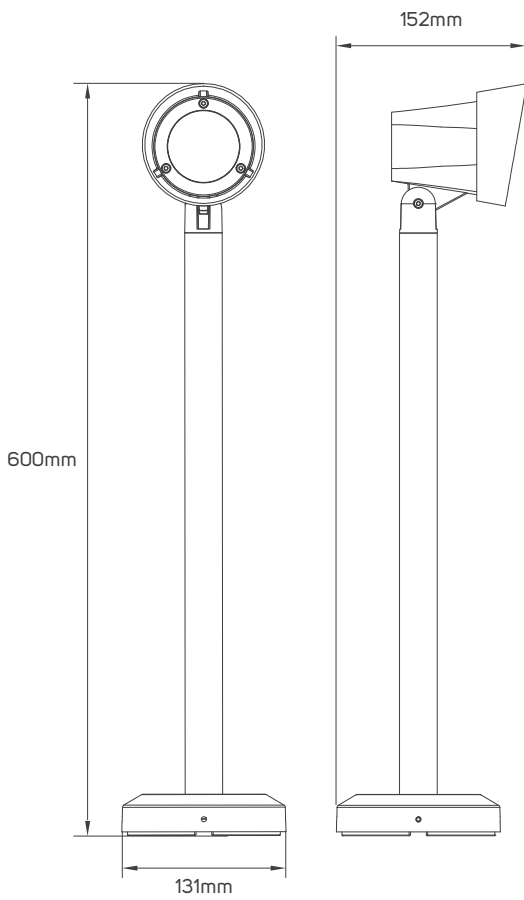
Code No.	Model No.	Power	Lumen	Efficacy	TA	Beam Angle	Surge Protection
541124	ILS13SMOPJL01	13w	754lm	58lm/w	25°C	24°	2kV
541126	ILS13SMOPJL02	13w	754lm	58lm/w	25°C	24°	2kV
541127	ILS20SMOPJL01	20w	1500lm	75lm/w	25°C	20°	1.5kV
541129	ILS20SMOPJL02	20w	1500lm	75lm/w	25°C	20°	1.5kV

DIMENSIONS



541124

541127



541126

541129

APPLICATION PICTURE



This image is for display purpose only, the image may differ from the actual product, as the product is subject to modification provided without prior notice.

LED SURFACE-MOUNTED LUMINAIRE (PROJECTOR) SERIES

**BEYOND LIGHT..
TO THE LAST DETAILS!**



Carrer de la Vall de la Ballestera, 64, 46015 València, Valencia, España, Tel: +34619824456

www.illusillumination.com

illus illumination reserve the right to make dimensional, design and technical alternations without prior notice. illus illumination endeavor to ensure that any advice, recommendation or information it provides in product literature is accurate and correct. However due to the fact that illus do not have direct control on where and how the products are installed, illus illumination cannot accept any liability either direct or indirect arising from the use of illus products whether or not in accordance with any advice, specification, recommendation or information provided by illus illumination or its distributors.