



LED PRO

SURFACE MOUNTED LUMINAIRE (PROJECTOR)



**BEYOND LIGHT..
TO THE LAST DETAILS!**

AREAS OF APPLICATION



Industrial



Shopping Center



Garden



Commercial



Educational Center



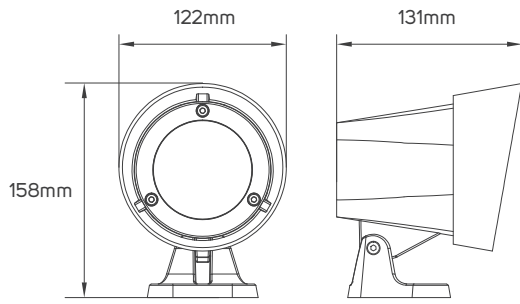
TECHNICAL OPERATING & ELECTRICAL DATA

Body Color	Dark Grey
Body Material	Aluminum
IP Rating	IP65
Voltage & Frequency	AC220-240V, 50/60Hz
IEC Classification	Class I
Dimming	Non-Dimmable
Mounting Type	Surface-Mounted
Warranty Period	36 Months

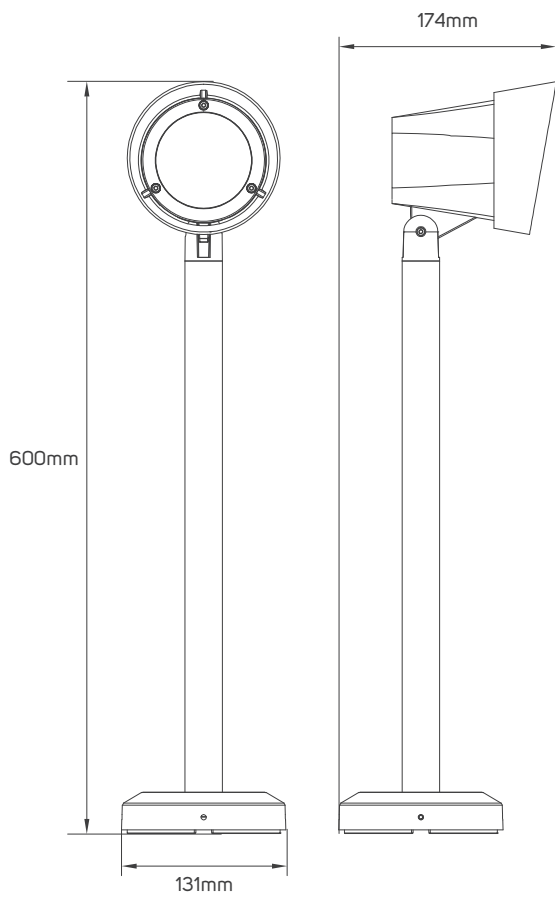
SPECIFICATIONS

Code No.	Model No.	Max. Wattage	Cap Type	TA	IK Rating
541130	ILSSMOPJF02	Max.20w	GU10	25°C	IK10
541132	ILSSMOPJF03	Max.20w	GU10	-20°C~45°C	IK10

DIMENSIONS



541130



541132

APPLICATION PICTURE



This image is for display purpose only, the image may differ from the actual product, as the product is subject to modification provided without prior notice.

SURFACE MOUNTED LUMINAIRE (PROJECTOR)

**BEYOND LIGHT..
TO THE LAST DETAILS!**

