



LED POWER SUPPLY

PRODUCT INFORMATION

- The SIMON DC24 outdoor driver is a power supply unit designed for LED lighting applications. It converts standard AC mains voltage into a stable 24V DC output, ensuring reliable performance for connected LED systems.
- Provides reliable and efficient power for 24V LED lighting solutions—such as strip lights, downlights, and cabinet lights—ensuring consistent performance and safety.
- The SIMON range of LED power supplies includes 4 models, delivering power outputs from 100W up to 400W to suit various lighting applications.

BENEFITS

- Featuring a 24V DC SELV output, the unit provides a safer power solution that greatly reduces the risk of electric shock during both installation and everyday operation.
- Prevents voltage fluctuations that cause flickering, overheating, and premature LED failure, extending lifespan.
- Offers high efficiency, reducing heat-related power loss and lowering energy costs.

FEATURES

- Surge Protection 1kV.
- Output Voltage DC24V.
- Ingress Protection IP67.
- Working Humidity $\leq 90\%$.
- Storage Temperature $-30^{\circ}\text{C}\pm 70^{\circ}\text{C}$.

AREAS OF APPLICATION



Hospitality



Shopping Center



Commercial



Educational Center

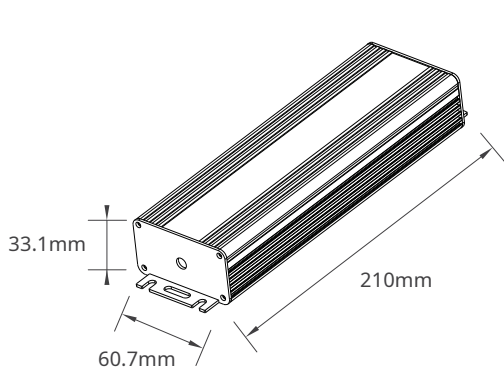
TECHNICAL OPERATING & ELECTRICAL DATA

Voltage	24V
IP Rating	IP67
MVp-p	≤ 650mVp-p
IEC Classification	Class I
Surge Protection	1KV
Storage Temp	-30°C-+70°C
Storage Humidity	≤ 90
Working Temp.	-10°C-50°C
Working Humidity	≤ 90%
Warranty	60 Months

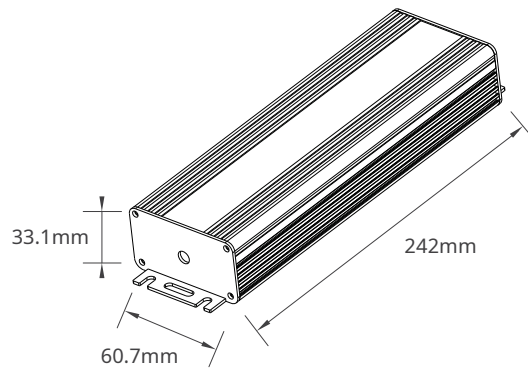
SPECIFICATIONS

Code No.	Model No.	Body Color	Body Material	Power	P.F	Current
SM241144	SIM100POGR02	Grey	Aluminum	100W	0.9	500mA
SM241145	SIM200POGR02	Grey	Aluminum	200W	0.9	1100mA
SM241146	SIM300POGR02	Grey	Aluminum	300W	0.9	1600mA
SM241147	SIM400POGR02	Grey	Aluminum	400W	0.9	2100mA

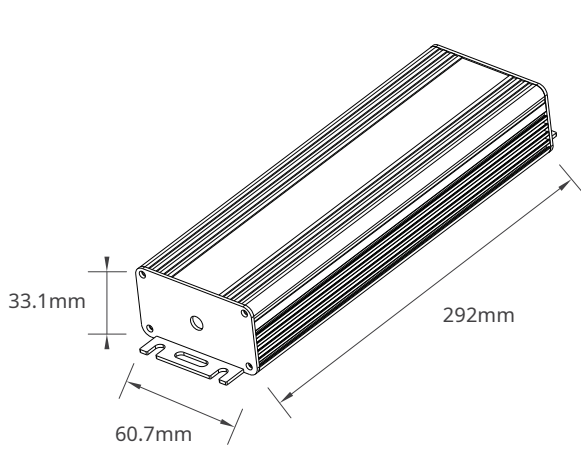
DIMENSIONS



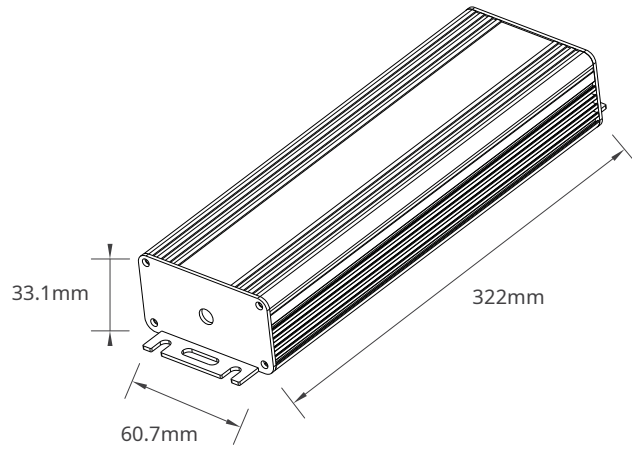
SM241144



SM241145



SM241146



SM241147

APPLICATION PICTURE



This image is for display purpose only, the image may differ from the actual product as the product is subject to modification provided without prior notice.

LED POWER SUPPLY

SWITCH TO SIMON, STAY SECURE.

www.simonelectric.com



Website



Facebook



Youtube

Simon, S.A.U
Sancho de Ávila, 66 Barcelona
E-08018(ES), BARCELONA, SPAIN
Tel. +34 902 109100
Web. www.simonelectric.com

Simon Electric (China)
Tel. +86 21 3855 5222
Web. www.simon.com.cn

Simon Electric (APAC)
Web. www.simon-apac.com
E-mail. info@simon-apac.com

PT Simon Elektrik Indonesia
Tel. +62 21 52960373
Web. www.simonelektrik.co.id